

**DRAWING INDEX**

- FA0.0 COVER SHEET
- FA1.1 BUILDING B FIRST FLOOR - SYSTEM LAYOUT
- FA2.1 BUILDING B SECOND FLOOR - SYSTEM LAYOUT
- FA3.1 SYSTEM INSTALLATION NOTES & DETAILS SYSTEM RISER DIAGRAM

**FIRE ALARM SYSTEM LEGEND**

- FA** FIRE ALARM CONTROL PANEL
- FAA** FIRE ALARM ANNUNCIATOR PANEL
- NAC** NAC PANEL POWER SUPPLY
- F** ADDRESSABLE PULL STATION
- Fp** ADDRESSABLE SMOKE DETECTOR, PHOTOELECTRIC
- CD** CONVENTIONAL CARBON MONOXIDE DETECTOR
- DS** ADDRESSABLE DUCT SMOKE DETECTOR
- MM** ADDRESSABLE MONITOR MODULE
- MM** ADDRESSABLE MINI MONITOR MODULE
- MD** ADDRESSABLE DUAL MONITOR MODULE
- RM** ADDRESSABLE RELAY MODULE
- CR** CONVENTIONAL REMOTE RELAY FOR HIGH VOLTAGE CURRENT APPLICATIONS
- RS** REMOTE TEST STATION
- HS** HORN STROBE, WALL MOUNTED
- CS** STROBE ONLY, WALL MOUNTED
- CS** HORN STROBE, CEILING MOUNTED
- CS** STROBE ONLY, CEILING MOUNTED
- WF** FLOW SWITCH
- VS** VALVE SUPERVISORY, TAMPER SWITCH
- JB** JUNCTION BOX
- EOL** EOL
- CD** CANDELA RATING
- C** CEILING MOUNTED
- WP** WEATHER PROOF

**GENERAL EQUIPMENT NOTES**

1. BREAK WIRE RUNS TO MAINTAIN CIRCUIT SUPERVISION (do not loop around terminals)
2. ALL VISUAL ALARM INDICATING DEVICES SHALL BE MOUNTED BETWEEN 80" AND 96" FROM THE FLOOR
3. ALL MANUAL PULL STATIONS SHALL BE MOUNTED 46" FROM THE FLOOR TO THE CENTER OF THE PULL STATION
4. ALL EQUIPMENT SHALL BE SUPPLIED BY GREAT LAKES BUILDING SYSTEMS INC

**DEVICE ADDRESSING NOTES**

1. INSTALLING CONTRACTOR TO BE RESPONSIBLE FOR ADDRESSING ALL DEVICES DURING SYSTEM INSTALLATION. FAILURE TO DO SO, WILL REQUIRE THE REMOVAL, ADDRESSING & RE-INSTALLATION OF ALL ADDRESSABLE DEVICES

**T-TAPPING WIRING NOTES**

1. "T-TAPPING" IS PERMITTED TO BE USED WITH ADDRESSABLE DEVICES AND ANY CORRESPONDING ADDRESSABLE CIRCUITS
  - 1.1. "T-TAPPING" IS ALSO PERMITTED TO BE USED WITH 24VDC (RESETTABLE & NON-RESETTABLE) POWER CIRCUITS
2. "T-TAPPING" IS NOT PERMITTED TO BE USED WITH CONVENTIONAL DEVICES AND ANY CORRESPONDING CIRCUITS
  - 1.1. "T-TAPPING" IS ALSO NOT PERMITTED TO BE USED WITH NOTIFICATIONS APPLIANCE CIRCUITS "NAC CIRCUITS"

**WIRE SPECS**

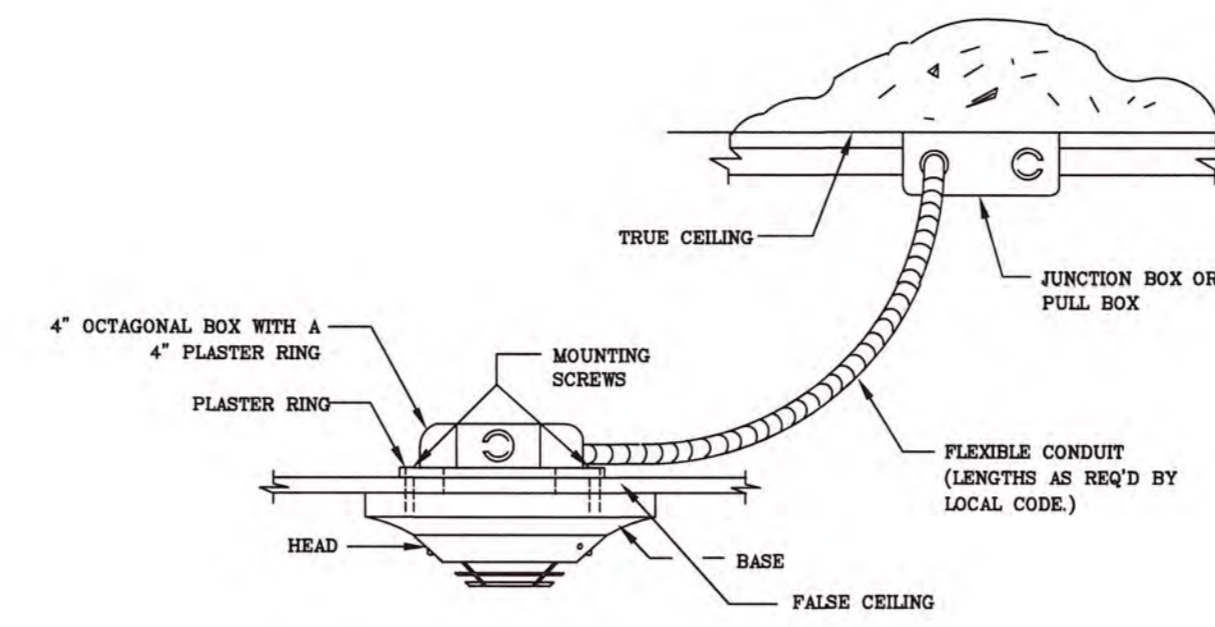
1. ALL WIRING TO MEET NFPA, NYS BUILDING AND LOCAL CODES AND STANDARDS
2. ALL 120Vac WIRE TO BE RUN IN SEPARATE CONDUIT, NOT WITH FIRE ALARM WIRING.
3. WIRE SIZES INDICATED ARE MANUFACTURERS RECOMMENDED MINIMUM SIZES OR MINIMUM SPECIFIED WIRE SIZES FOR THIS PROJECT.

**WIRE CLASSIFICATION**

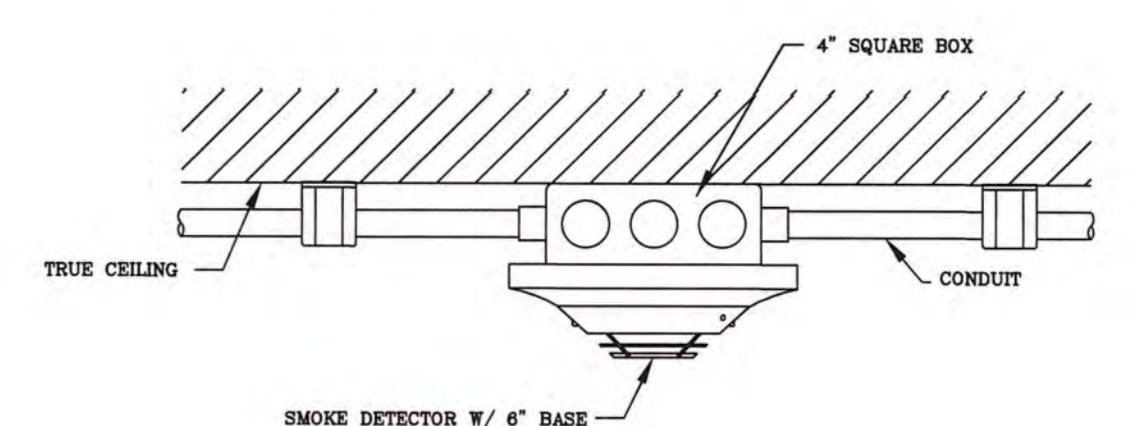
1. OCCUPANCY CLASSIFICATION: INTERNATIONAL BUILDING CODE (2015) 309.1 MERCANTILE OCCUPANCY GROUP [M]-DEPARTMENT STORES
2. CONSTRUCTION TYPE: INTERNATIONAL BUILDING CODE (2015), 602.3 TYPE III EXTERIOR WALLS ARE OF NONCOMBUSTIBLE MATERIALS, INTERIOR BUILDING ELEMENTS ARE OF MATERIALS PERMITTED BY CODE
3. TYPE OF FIRE ALARM SYSTEM: INTERNATIONAL FIRE CODE (2015), CHAPTER 9: FIRE PROTECTION SYSTEMS
4. WIRE CLASSIFICATION:
  - a. SIGNAL LINE CIRCUITS (SLC) - CLASS B
  - b. NOTIFICATION CIRCUITS (NAC) - CLASS B
  - c. INITIATING CIRCUITS (INC) - CLASS B
  - d. ANCILLARY CIRCUITS - CLASS B

**DEVICE MOUNTING HEIGHTS**

- PULL STATION**
  - BOTTOM OF PULL STATION CANNOT BE LESS THAN 42" IN HEIGHT
  - TOP OF PULL STATION CANNOT EXCEED MORE THAN 54" IN HEIGHT
- STROBE**
  - BOTTOM OF DEVICE CANNOT BE LESS THAN 80" IN HEIGHT
  - TOP OF DEVICE CANNOT EXCEED MORE THAN 96" IN HEIGHT
- HORN STROBE**
  - BOTTOM OF DEVICE CANNOT BE LESS THAN 80" IN HEIGHT
  - TOP OF DEVICE CANNOT BE MORE THAN 96" IN HEIGHT
- SMOKE DETECTORS**
  - DEVICE MUST BE AT LEAST 3 FEET FROM ANY AIR VENTS, DUCT WORK OR DIFFUSERS
  - DEVICE CANNOT BE LOCATED WITHIN 4" OF A SIDE WALL IF MOUNTED ON SIDE WALL, IT MUST BE MOUNTED BETWEEN 4" TO 12" FROM CEILING
  - FOR CEILINGS LESS THAN 12' AND STRUCTURAL BEAMS LESS THAN 12" DEEP, DETECTORS ARE PERMITTED TO BE MOUNTED ON THE BOTTOM OF BEAM
- DUCT SMOKE DETECTORS**
  - NUMBER OF DUCT SMOKE DETECTORS REQUIRED IS DEPENDENT UPON THE MEASURE OF AIR VELOCITY OF THE AIR HANDLING UNIT.
    - \*\* [2000cfm to 15000cfm] - [1] DUCT SMOKE DETECTOR IS REQUIRED TO BE INSTALLED ON THE AIR SUPPLY SIDE, TO BE MOUNTED DOWNSTREAM OF AIR FILTERS (IF APPLICABLE) AND AHEAD OF ANY BRANCH CONNECTIONS IN THE AIR SUPPLY SYSTEM
    - \*\* [ABOVE 15000cfm] - [2] DUCT SMOKE DETECTORS ARE REQUIRED TO BE INSTALLED ON BOTH THE AIR SUPPLY SIDE AS WELL AS THE AIR RETURN SIDE, TO BE MOUNTED UPSTREAM OF AIR FILTERS (IF APPLICABLE) AND AHEAD OF ANY BRANCH CONNECTIONS IN THE AIR SUPPLY/RETURN SYSTEM IF NEEDED
- DETECTION AND CONTROL PANELS**
  - TOP OF PANEL TO BE MOUNTED AT 66" IN HEIGHT FROM FINISHED FLOOR



TYPICAL SMOKE DETECTOR DROP CEILING MOUNT DETAIL  
FIRE ALARM SYSTEM  
NOT TO SCALE



TYPICAL SMOKE DETECTOR SURFACE MOUNT DETAIL  
FIRE ALARM SYSTEM  
NOT TO SCALE

**WIRING LEGEND**

- A SIGNALING LINE CIRCUIT (SLC) 2/C-16 AWG CABLE TWIST, RED WITH YELLOW STRIPE
- B AUDIBLE/VISUAL NOTIFICATION CKT 2/C-16 AWG CABLE, RED WITH BLUE STRIPE
- C 24VDC RESETTABLE POWER 2/C-16 AWG CABLE, RED NO STRIPE
- D 24VDC NON-RESETTABLE POWER 2/C-16 AWG CABLE, RED WITH WHITE STRIPE
- E CONVENTIONAL DEVICE TIE-IN 2/C-16 AWG CABLE, RED
- F NETWORK CABLE CAT5E/CAT6
- G REMOTE TEST STATION CIRCUIT 4/C-18 AWG CABLE, RED
- H NAC STROBE SYNC CKT 2/C-16 AWG CABLE, RED
- J ANNUNCIATOR CIRCUIT (1) 2/C-16 AWG CABLE (POWER)  
(2) 2/C-18 AWG CABLE TWIST, SHIELD (DATA & RETURN)

SYSTEM INPUT	SYSTEM OUTPUT												
	FACP & FAAP DISPLAY INDICATING SIGNAL	FACP & FAAP SUPERVISORY INDICATING SIGNAL	FACP & FAAP TROUBLE INDICATING SIGNAL	ACTIVATE AUDIBLE INDICATING SIGNAL	INITIATE AUDIBLE VISUAL INDICATING SIGNAL	INITIATE DOOR HOLDER VISUAL DEVICES SIGNAL	ELEVATOR SHUTDOWN OF AFFECTED ENTIRE BUILDING	ELEVATOR RECALL TO DESIGNATED FLOOR ONLY	ACTIVATE ELEVATOR RECALL TO DESIGNATED LEVEL	ACTIVATE LOCAL FIRE SHUNT TRIP POWER NOTIFICATION	ACTIVATE WATER INDICATING DEVICE	NOTIFICATION APPLIANCE FLOW ALARM	NOTIFICATION APPLIANCE WATER FLOW ALARM
HEAT/SMOKE DETECTOR IN ELEV HOISTWAY OR MACHINE RM.	●	●	●	●	●	●	●	●	●	●	●	●	●
SMOKE DETECTOR IN ELEVATOR LOBBY EXCEPT 1ST FLOOR (ALTERNATE RECALL LEVEL)	●	●	●	●	●	●	●	●	●	●	●	●	●
SMOKE DETECTOR IN ELEVATOR LOBBY AT DESIGNATED RECALL LEVEL (LEVEL 1)	●	●	●	●	●	●	●	●	●	●	●	●	●
ELEVATOR SHUNT TRIP POWER SUPERVISION	●	●	●	●	●	●	●	●	●	●	●	●	●
DUCT SMOKE DETECTOR	●	●	●	●	●	●	●	●	●	●	●	●	●
MANUAL PULL STATION IN COMMON AREAS	●	●	●	●	●	●	●	●	●	●	●	●	●
MANUAL PULL STATION WITHIN SUITE	●	●	●	●	●	●	●	●	●	●	●	●	●
HEAT/SMOKE DETECTOR IN COMMON AREAS	●	●	●	●	●	●	●	●	●	●	●	●	●
HEAT/SMOKE DETECTOR WITHIN SUITE	●	●	●	●	●	●	●	●	●	●	●	●	●
CARBON MONOXIDE DETECTOR	●	●	●	●	●	●	●	●	●	●	●	●	●
WATER FLOW SWITCH	●	●	●	●	●	●	●	●	●	●	●	●	●
VALVE TAMPER SWITCH	●	●	●	●	●	●	●	●	●	●	●	●	●

● INITIATING DEVICE WILL TRIGGER THE OUTPUT DEVICE

SYSTEM OPERATIONAL MATRIX  
FIRE ALARM SYSTEM

Rev	Description	Date
1	Lululemon Build-Out	3.5.2020
2	SDO28005 Anthropologie Build-Out	1.8.2026

Designer: J. Miller  
 Project Check: S. Adinolfi  
 Sales Engineer: S. Divita  
 Project Manager: J. Kowalski

**General Notes**

General Notes section containing project-specific instructions and details.

Blank space for additional notes or revisions.

**STATION 12 BUILDING B**  
3065 SHERIDAN DRIVE  
AMHERST, NY 14226

**COVER SHEET**  
FIRE ALARM SYSTEM

**Great Lakes Building Systems**  
 BUFFALO OFFICE: 100 South Street, Buffalo, NY 14203, Tel: (716) 880-0255, Fax: (716) 880-0255  
 ROCHESTER OFFICE: 100 South Street, Rochester, NY 14620, Tel: (716) 252-2121, Fax: (716) 252-2121  
 SYRACUSE OFFICE: 100 South Street, Syracuse, NY 13202, Tel: (315) 484-5701, Fax: (315) 484-5701

**NICET CERTIFIED Level IV**  
John F. Wojdan, Certification Number: 52767, Valid Through: 12/31/2025

Project Number: JDCO11998  
Revision: 2  
Date: 11.1.2019  
Scale: AS NOTED

**FA0.0**

**WIRING LEGEND**

A	SIGNALING LINE CIRCUIT (SLC)	2/C-18 AWG CABLE TWIST, RED WITH YELLOW STRIPE
B	AUDIBLE/VISUAL NOTIFICATION CKT	2/C-18 AWG CABLE, RED WITH BLUE STRIPE
C	24VDC RESETTABLE POWER	2/C-18 AWG CABLE, RED NO STRIPE
D	24VDC NON-RESETTABLE POWER	2/C-18 AWG CABLE, RED WITH WHITE STRIPE
E	CONVENTIONAL DEVICE TIE-IN	2/C-18 AWG CABLE, RED
F	NETWORK CABLE	CAT5E/CAT6
G	REMOTE TEST STATION CIRCUIT	4/C-18 AWG CABLE, RED
H	NAC STROBE SYNC CKT	2/C-18 AWG CABLE, RED
J	ANNUNCIATOR CIRCUIT	(1) 2/C-18 AWG CABLE (POWER) (2) 2/C-18 AWG CABLE, TWIST, SHIELD (DATA & RETURN)

**DRAWING NOTES:**

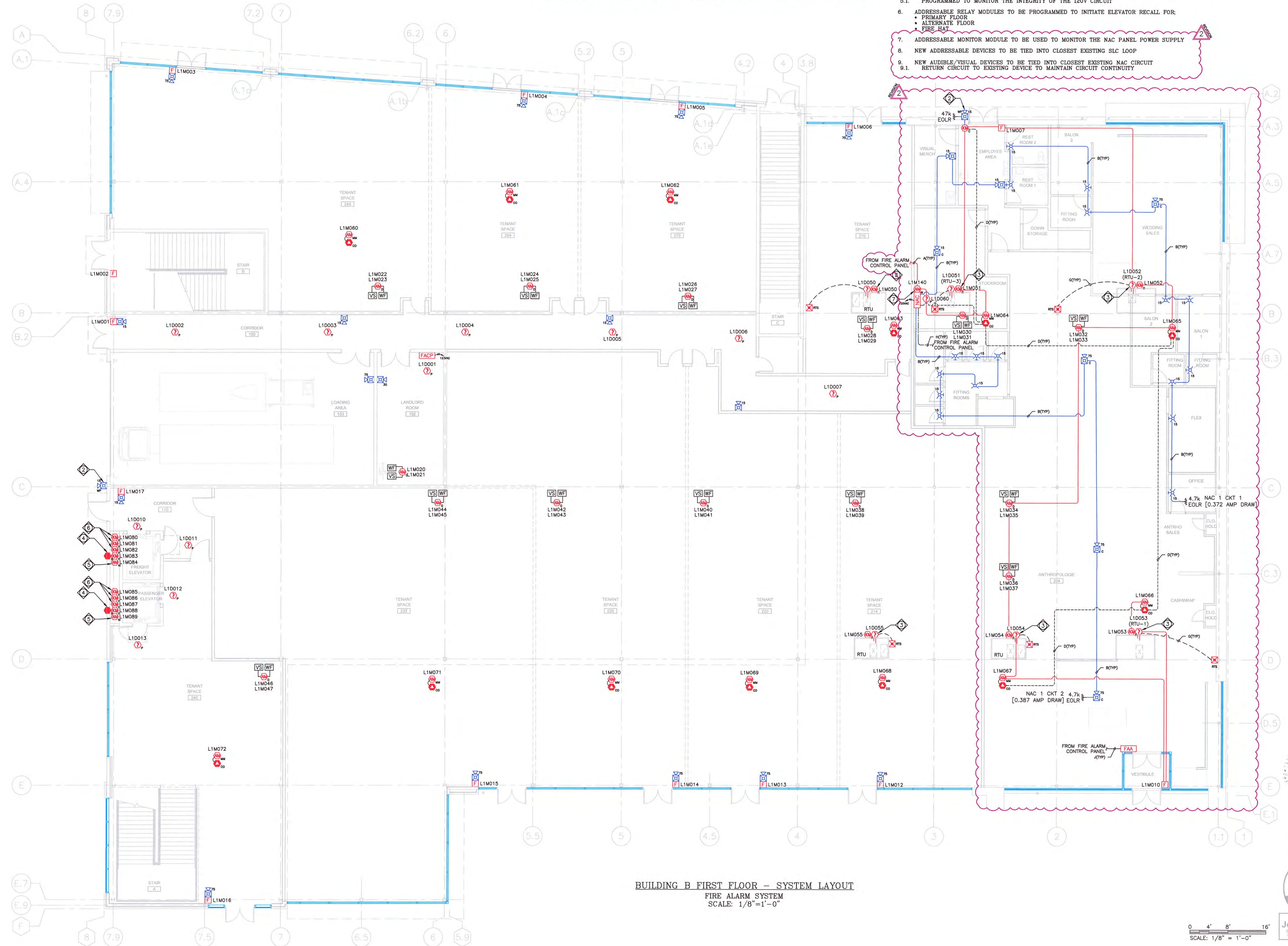
- INSTALLING CONTRACTOR TO BE RESPONSIBLE FOR ADDRESSING ALL DEVICES DURING SYSTEM INSTALLATION. FAILURE TO DO SO WILL REQUIRE THE REMOVAL, ADDRESSING, AND RE-INSTALLATION OF ALL ADDRESSABLE DEVICES
- WEATHER-PROOF AUDIBLE/VISUAL DEVICE TO BE INSTALLED ON EXTERIOR OF BUILDING, 60" ABOVE FINISHED GRADE, TO INDICATE WATER FLOW FROM SPRINKLER RISER UPON ACTIVATION. VERIFY EXACT LOCATION WITH LOCAL FIRE MARSHAL.
- INSTALL DUCT SMOKE DETECTOR WITHIN RETURN AIR DUCT OF ROOF TOP UNIT. RELAY MODULES TO BE USED TO SHUT-DOWN HVAC UNIT UPON FIRE ALARM SYSTEM ACTIVATION. EXACT LOCATIONS OF DUCT SMOKE DETECTORS & REMOTE TEST STATIONS TO BE FIELD DETERMINED. (TYP ALL DUCT DETECTORS)
- SHUNT TRIP RELAY TO BE INSTALLED AT SHUNT TRIP BREAKER. EXACT LOCATION TO BE FIELD DETERMINED UPON ACTIVATION OF DETECTOR IN ELEVATOR MACHINE ROOM. SHUNT TRIP RELAY TO BE PROGRAMMED TO SWITCH TO THE OPEN POSITION, SHUTTING OFF POWER TO ELEVATOR BEFORE SPRINKLER ACTIVATES
- SLC AND 24Vdc POWER REQUIRED TO BE PULLED TO SHUNT TRIP RELAY
- R-10E RELAY TO BE USED WHERE HIGH CURRENT SWITCHING IS REQUIRED
- ADDRESSABLE MONITOR MODULE TO BE INSTALLED AS PART OF THE ELEVATOR SHUTDOWN SYSTEM. PROGRAMMED TO MONITOR THE INTEGRITY OF THE 120V CIRCUIT
  - PRIMARY FLOOR
  - ALTERNATE FLOOR
  - FIRE HAT
- ADDRESSABLE RELAY MODULES TO BE PROGRAMMED TO INITIATE ELEVATOR RECALL FOR:
  - ALTERNATE FLOOR
  - FIRE HAT
- ADDRESSABLE MONITOR MODULE TO BE USED TO MONITOR THE NAC PANEL POWER SUPPLY
- NEW ADDRESSABLE DEVICES TO BE TIED INTO CLOSEST EXISTING SLC LOOP
- NEW AUDIBLE/VISUAL DEVICES TO BE TIED INTO CLOSEST EXISTING NAC CIRCUIT
- RETURN CIRCUIT TO EXISTING DEVICE TO MAINTAIN CIRCUIT CONTINUITY



Rev	Description	Date
1	Lululemon Build-Out	3.5.2020
2	SDO26005 Anthropologie Build-Out	1.8.2026

Project Engineer:	S. Divita
Designer/Checker:	S. Adinoffi
Project Manager:	J. Kowalski



**BUILDING B FIRST FLOOR - SYSTEM LAYOUT**  
FIRE ALARM SYSTEM  
SCALE: 1/8" = 1'-0"

General Notes

- REFER TO COVER SHEET FOR SYSTEM LEGENDS, SYSTEM NOTES, & DEVICE INSTALLATION NOTES

**STATION 12 BUILDING B**  
3065 SHERIDAN DRIVE  
AMHERST, NY 14226

**BUILDING B FIRST FLOOR SYSTEM LAYOUT**  
FIRE ALARM SYSTEM



Great Lakes Building Systems  
BUFFALO OFFICE: 1110 South Street, Buffalo, NY 14207, Tel: (716) 880-0000  
ROCHESTER OFFICE: 205 South Park, Suite 1010, Rochester, NY 14620, Tel: (716) 235-0200, Fax: (716) 235-0400  
SYRACUSE OFFICE: 101 South State Street, Syracuse, NY 13202, Tel: (315) 440-0000, Fax: (315) 440-0000

Project Number:	JDCO11998	Revision:	2
Date:	11.1.2019	<b>FA1.1</b>	
Scale:	AS NOTED		

**WIRING LEGEND**

A	SIGNALING LINE CIRCUIT (SLC)	2/C-18 AWG CABLE TWIST, RED WITH YELLOW STRIPE
B	AUDIBLE/VISUAL NOTIFICATION CKT	2/C-16 AWG CABLE, RED WITH BLUE STRIPE
C	24VDC RESETTABLE POWER	2/C-18 AWG CABLE, RED NO STRIPE
D	24VDC NON-RESETTABLE POWER	2/C-16 AWG CABLE, RED WITH WHITE STRIPE
E	CONVENTIONAL DEVICE TIE-IN	2/C-18 AWG CABLE, RED
F	NETWORK CABLE	CAT5E/CAT6
G	REMOTE TEST STATION CIRCUIT	4/C-18 AWG CABLE, RED
H	NAC STROBE SYNC CKT	2/C-18 AWG CABLE, RED
J	ANNUNCIATOR CIRCUIT	(1) 2/C-16 AWG CABLE (POWER) (2) 2/C-18 AWG CABLE, TWIST, SHIELD (DATA & RETURN)

**DRAWING NOTES:**

- INSTALLING CONTRACTOR TO BE RESPONSIBLE FOR ADDRESSING ALL DEVICES DURING SYSTEM INSTALLATION FAILURE TO DO SO WILL REQUIRE THE REMOVAL, ADDRESSING, AND RE-INSTALLATION OF ALL ADDRESSABLE DEVICES
- WEATHER-PROOF AUDIBLE/VISUAL DEVICE TO BE INSTALLED ON EXTERIOR OF BUILDING, 80" ABOVE FINISHED GRADE, TO INDICATE WATER FLOW FROM SPRINKLER RISER UPON ACTIVATION. VERIFY EXACT LOCATION WITH LOCAL FIRE MARSHAL
- INSTALL DUCT SMOKE DETECTOR WITHIN RETURN AIR DUCT OF ROOF TOP UNIT. RELAY MODULES TO BE USED TO SHUT-DOWN HVAC UNIT UPON FIRE ALARM SYSTEM ACTIVATION. EXACT LOCATIONS OF DUCT SMOKE DETECTORS & REMOTE TEST STATIONS TO BE FIELD DETERMINED. (TYP ALL DUCT DETECTORS)
- SHUNT TRIP RELAY TO BE INSTALLED AT SHUNT TRIP BREAKER. EXACT LOCATION TO BE FIELD DETERMINED UPON ACTIVATION OF DETECTOR IN ELEVATOR MACHINE ROOM. SHUNT TRIP RELAY TO BE PROGRAMMED TO SWITCH TO THE OPEN POSITION, SHUTTING OFF POWER TO ELEVATOR BEFORE SPRINKLER ACTIVATES
- SLC AND 24vdc POWER REQUIRED TO BE PULLED TO SHUNT TRIP RELAY
- R-10E RELAY TO BE USED WHERE HIGH CURRENT SWITCHING IS REQUIRED
- ADDRESSABLE MONITOR MODULE TO BE INSTALLED AS PART OF THE ELEVATOR SHUTDOWN SYSTEM; PROGRAMMED TO MONITOR THE INTEGRITY OF THE 120V CIRCUIT
  - PRIMARY FLOOR
  - ALTERNATE FLOOR
  - FIRE HAT
- ADDRESSABLE RELAY MODULES TO BE PROGRAMMED TO INITIATE ELEVATOR RECALL FOR:
  - PRIMARY FLOOR
  - ALTERNATE FLOOR
  - FIRE HAT
- ADDRESSABLE MONITOR MODULE TO BE USED TO MONITOR THE NAC PANEL POWER SUPPLY
- NEW ADDRESSABLE DEVICES TO BE TIED INTO CLOSEST EXISTING SLC LOOP
- NEW AUDIBLE/VISUAL DEVICES TO BE TIED INTO CLOSEST EXISTING NAC CIRCUIT
- RETURN CIRCUIT TO EXISTING DEVICE TO MAINTAIN CIRCUIT CONTINUITY

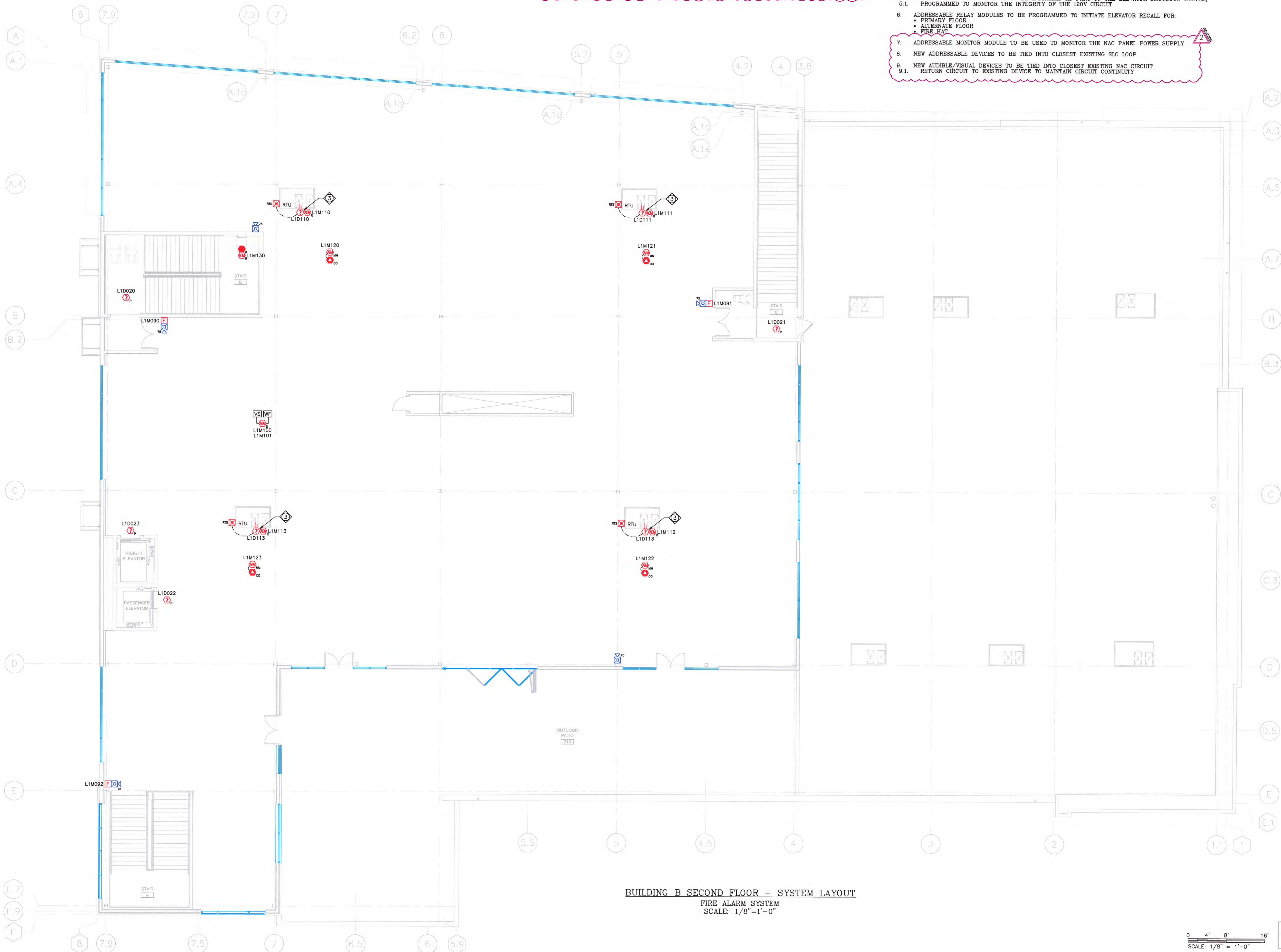


Rev	Description	Date
1	Lululemon Build-Out	3.5.2020
2	SDO26005 Anthropologie Build-Out	1.8.2026

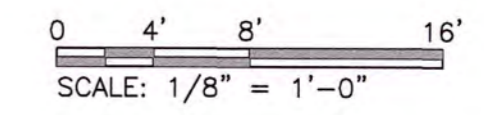
Designer:	J. Miller	Sales Engineer:	S. Divita
Designer Check:	S. Adinolfi	Project Manager:	J. Kowalski

**General Notes**

- REFER TO COVER SHEET FOR SYSTEM LEGENDS, SYSTEM NOTES, & DEVICE INSTALLATION NOTES



**BUILDING B SECOND FLOOR - SYSTEM LAYOUT**  
FIRE ALARM SYSTEM  
SCALE: 1/8"=1'-0"



**STATION 12 BUILDING B**  
3065 SHERIDAN DRIVE  
AMHERST, NY 14226

**BUILDING B SECOND FLOOR SYSTEM LAYOUT**  
FIRE ALARM SYSTEM

**Great Lakes Building Systems**

ROCHESTER OFFICE  
1000 Main Street, Suite 200  
Rochester, NY 14609  
Phone: (716) 235-2000  
Fax: (716) 235-0000

SYRACUSE OFFICE  
200 Westcott Road  
Syracuse, NY 13209  
Phone: (315) 435-0000  
Fax: (315) 435-0000

Fire/Security Systems Integrators

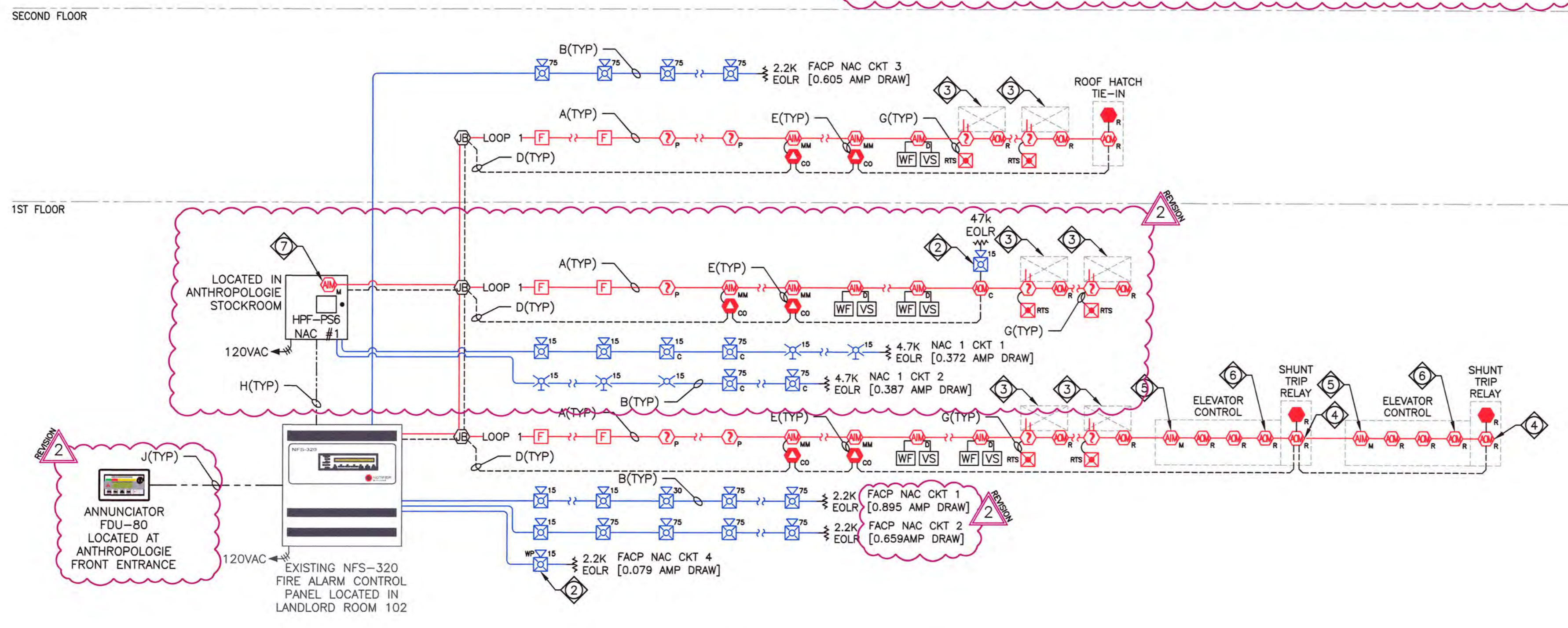
Project Number:	JDCO11998	Revision:	2
Date:	11.1.2019	<b>FA2.1</b>	
Scale:	AS NOTED		

**WIRING LEGEND**

A	SIGNALING LINE CIRCUIT (SLC)	2/C-18 AWG CABLE TWIST, RED WITH YELLOW STRIPE
B	AUDIBLE/VISUAL NOTIFICATION CKT	2/C-16 AWG CABLE, RED WITH BLUE STRIPE
C	24VDC RESETTABLE POWER	2/C-18 AWG CABLE, RED NO STRIPE
D	24VDC NON-RESETTABLE POWER	2/C-18 AWG CABLE, RED WITH WHITE STRIPE
E	CONVENTIONAL DEVICE TIE-IN	2/C-18 AWG CABLE, RED
F	NETWORK CABLE	CAT5E/CAT6
G	REMOTE TEST STATION CIRCUIT	4/C-18 AWG CABLE, RED
H	NAC STROBE SYNC CKT	2/C-16 AWG CABLE, RED
J	ANNUNCIATOR CIRCUIT	(1) 2/C-16 AWG CABLE (POWER) (2) 2/C-18 AWG CABLE TWIST, SHIELD (DATA & RETURN)

**DRAWING NOTES:**

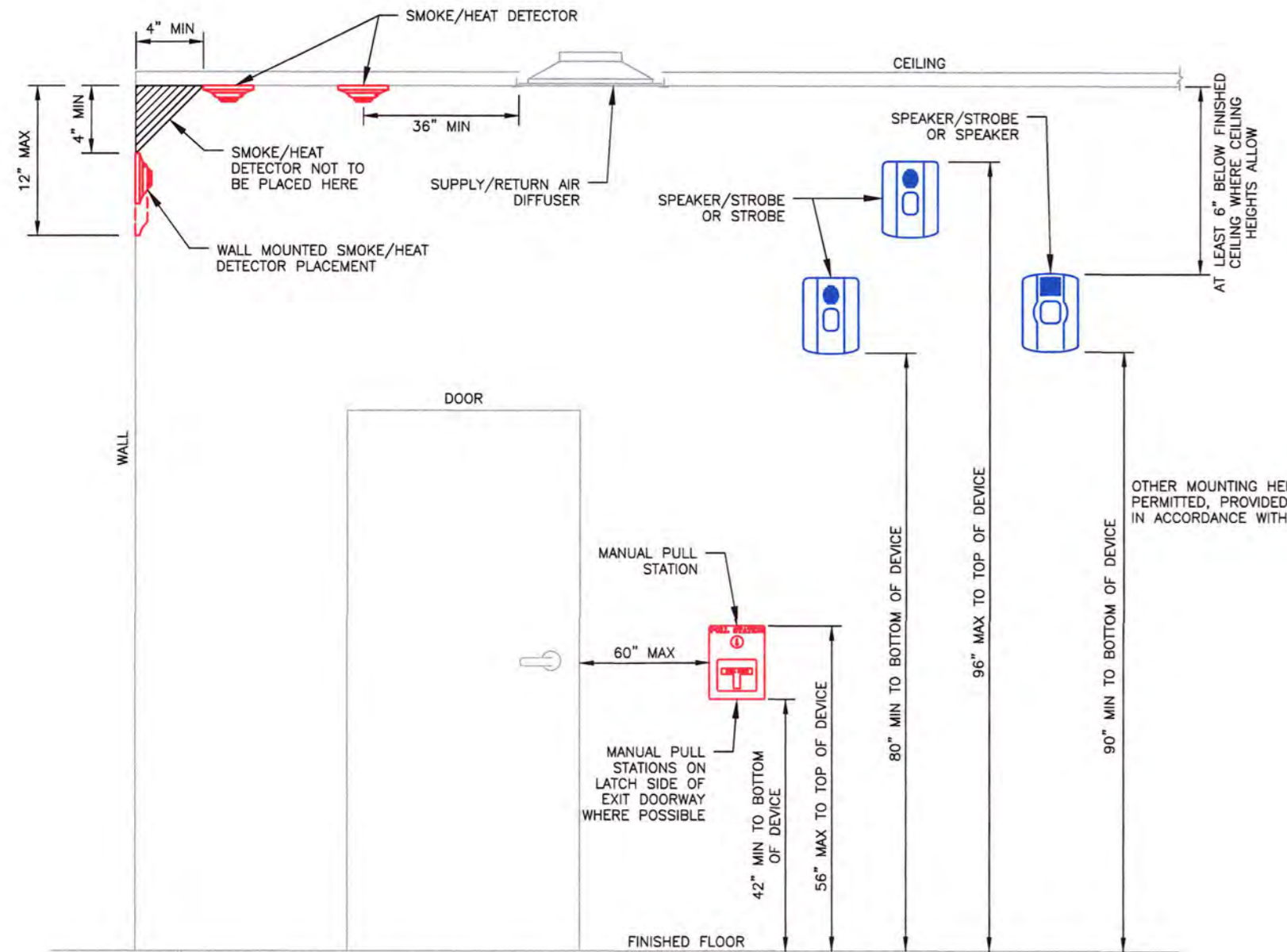
- INSTALLING CONTRACTOR TO BE RESPONSIBLE FOR ADDRESSING ALL DEVICES DURING SYSTEM INSTALLATION. FAILURE TO DO SO WILL REQUIRE THE REMOVAL, ADDRESSING, AND RE-INSTALLATION OF ALL ADDRESSABLE DEVICES
- WEATHER-PROOF AUDIBLE/VISUAL DEVICE TO BE INSTALLED ON EXTERIOR OF BUILDING, 80" ABOVE FINISHED GRADE. TO INDICATE WATER FLOW FROM SPRINKLER RISER UPON ACTIVATION. VERIFY EXACT LOCATION WITH LOCAL FIRE MARSHAL.
- INSTALL DUCT SMOKE DETECTOR WITHIN RETURN AIR DUCT OF ROOF TOP UNIT. RELAY MODULES TO BE USED TO SHUT-DOWN HVAC UNIT UPON FIRE ALARM SYSTEM ACTIVATION. EXACT LOCATIONS OF DUCT SMOKE DETECTORS & REMOTE TEST STATIONS TO BE FIELD DETERMINED. (TYP ALL DUCT DETECTORS)
- SHUNT TRIP RELAY TO BE INSTALLED AT SHUNT TRIP BREAKER. EXACT LOCATION TO BE FIELD DETERMINED UPON ACTIVATION OF DETECTOR IN ELEVATOR MACHINE ROOM. SHUNT TRIP RELAY TO BE PROGRAMMED TO SWITCH TO THE OPEN POSITION. SHUTTING OFF POWER TO ELEVATOR BEFORE SPRINKLER ACTIVATES
  - SLC AND 24VDC POWER REQUIRED TO BE PULLED TO SHUNT TRIP RELAY
  - R-10E RELAY TO BE USED WHERE HIGH CURRENT SWITCHING IS REQUIRED
- ADDRESSABLE MONITOR MODULE TO BE INSTALLED AS PART OF THE ELEVATOR SHUTDOWN SYSTEM. PROGRAMMED TO MONITOR THE INTEGRITY OF THE 120V CIRCUIT
  - ADDRESSABLE RELAY MODULES TO BE PROGRAMMED TO INITIATE ELEVATOR RECALL FOR:
    - PRIMARY FLOOR
    - ALTERNATE FLOOR
    - FIRE HAT
- ADDRESSABLE MONITOR MODULE TO BE USED TO MONITOR THE NAC PANEL POWER SUPPLY
- NEW ADDRESSABLE DEVICES TO BE TIED INTO CLOSEST EXISTING SLC LOOP
- NEW AUDIBLE/VISUAL DEVICES TO BE TIED INTO CLOSEST EXISTING NAC CIRCUIT
  - RETURN CIRCUIT TO EXISTING DEVICE TO MAINTAIN CIRCUIT CONTINUITY



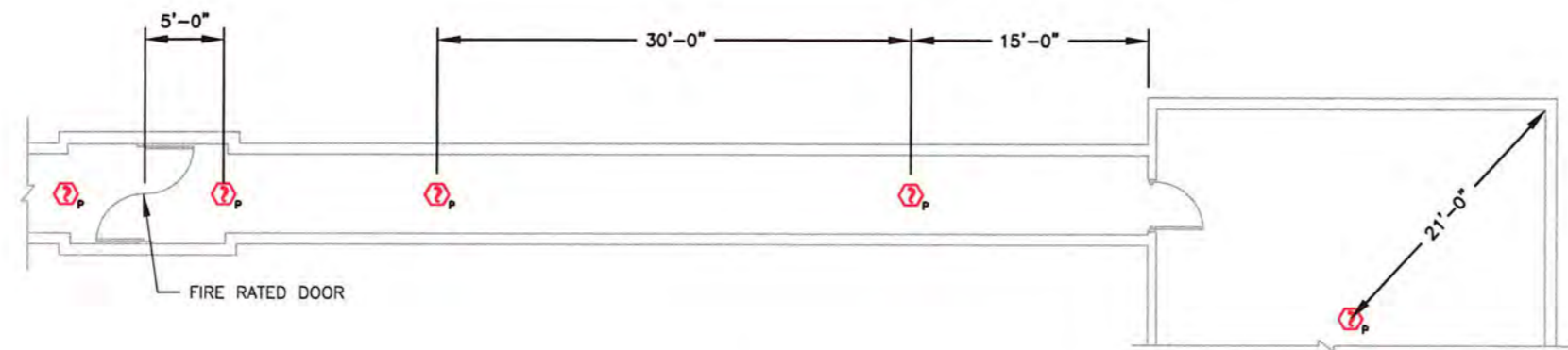
**SYSTEM RISER DIAGRAM**  
FIRE ALARM SYSTEM  
FOR DIAGRAMMATICAL PURPOSES ONLY

**FIRE ALARM SYSTEM LEGEND**

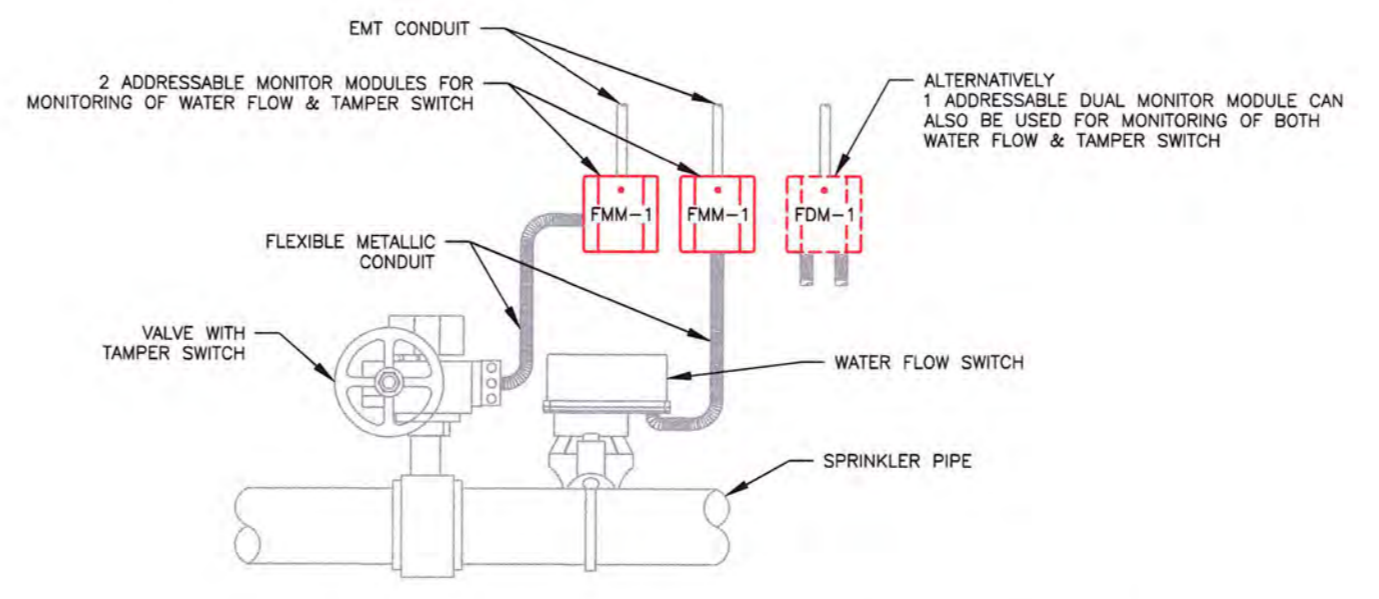
FACP	FIRE ALARM CONTROL PANEL
FAA	FIRE ALARM ANNUNCIATOR PANEL
NAC	NAC PANEL POWER SUPPLY
F	ADDRESSABLE PULL STATION
D	ADDRESSABLE SMOKE DETECTOR, PHOTOELECTRIC
CD	CONVENTIONAL CARBON MONOXIDE DETECTOR
DD	ADDRESSABLE DUCT SMOKE DETECTOR
AM	ADDRESSABLE MONITOR MODULE
MM	ADDRESSABLE MINI MONITOR MODULE
DM	ADDRESSABLE DUAL MONITOR MODULE
RM	ADDRESSABLE RELAY MODULE
CR	CONVENTIONAL REMOTE RELAY FOR HIGH VOLTAGE CURRENT APPLICATIONS
RTS	REMOTE TEST STATION
H	HORN STROBE, WALL MOUNTED
SH	STROBE ONLY, WALL MOUNTED
HC	HORN STROBE, CEILING MOUNTED
SC	STROBE ONLY, CEILING MOUNTED
WF	FLOW SWITCH
VS	VALVE SUPERVISORY, TAMPER SWITCH
J	JUNCTION BOX
EOL	EOL
CD	CANDELA RATING
C	CEILING MOUNTED
WP	WEATHER PROOF



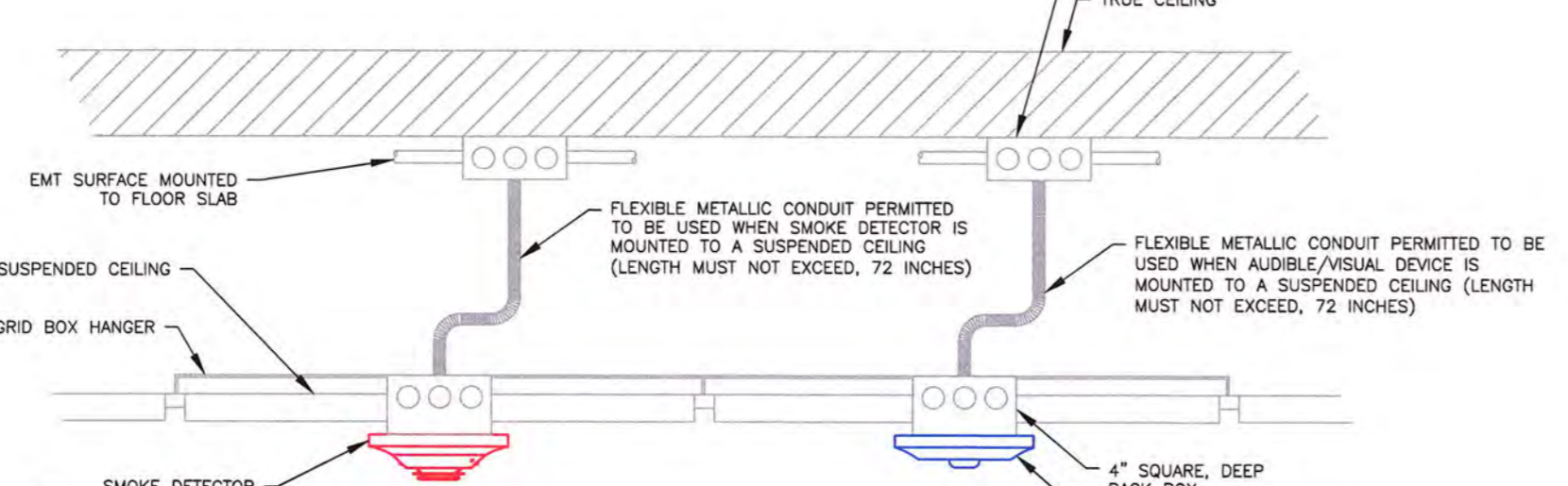
**DEVICE MOUNTING LOCATION DETAIL**  
FOR SMOKE/HEAT DETECTORS, PULL STATIONS,  
AND AUDIBLE/VISUAL AUDIBLE/VISUAL DEVICE  
FIRE ALARM SYSTEM  
NOT TO SCALE



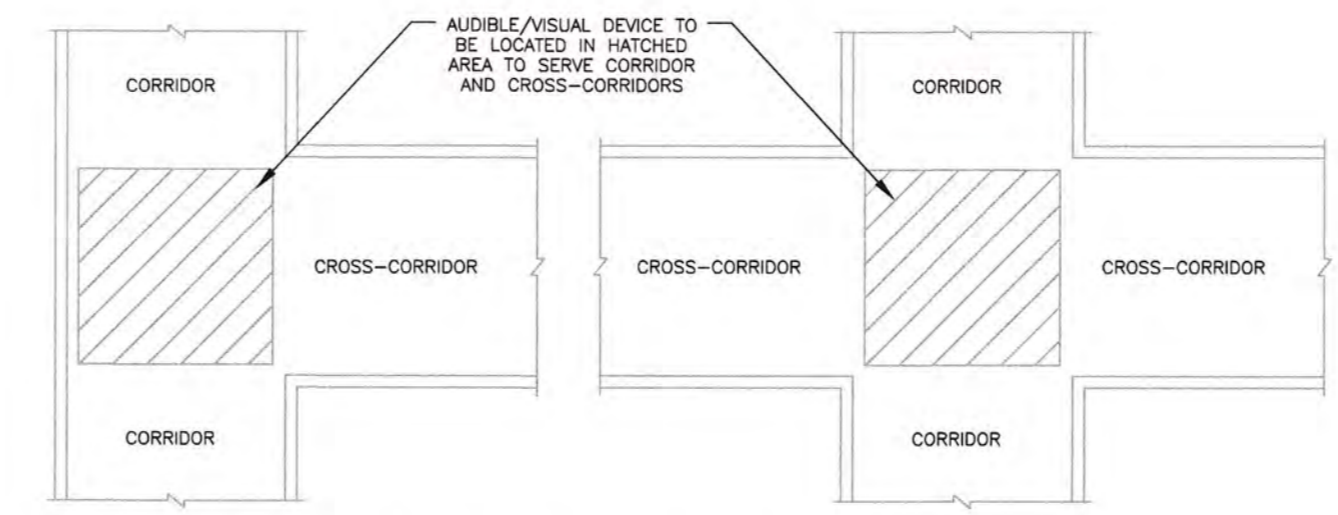
**TYPICAL DETECTOR SPACING DETAIL**  
FIRE ALARM SYSTEM  
NOT TO SCALE



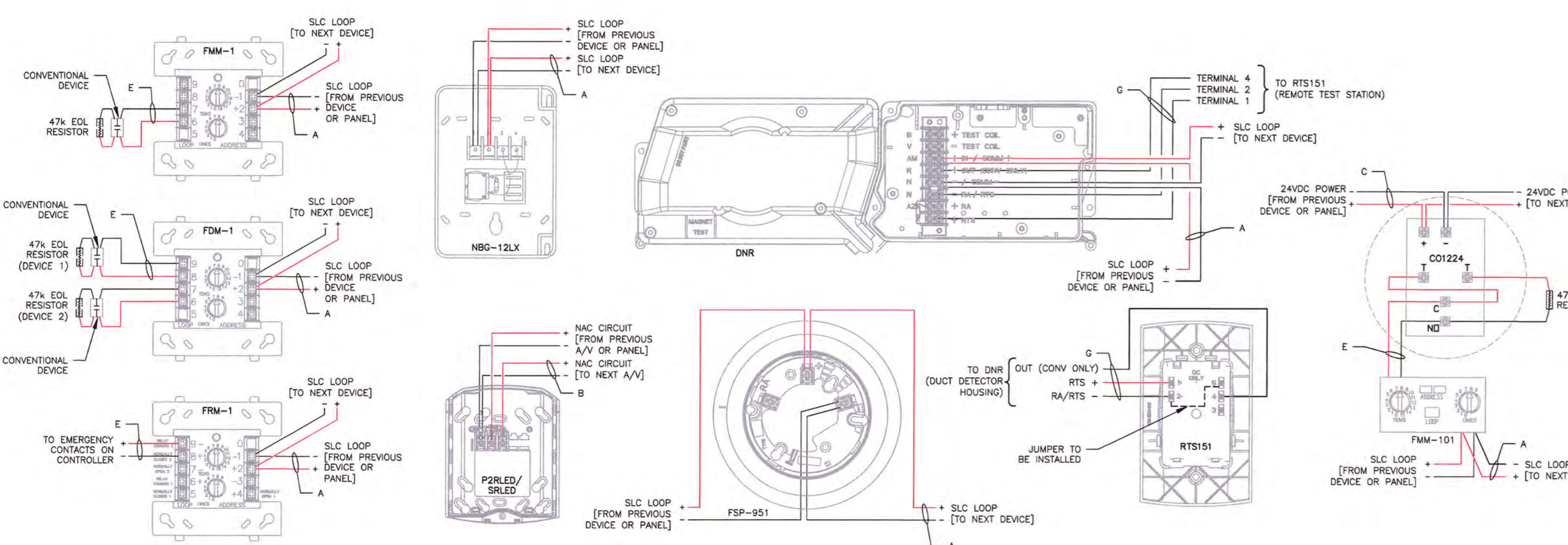
**MONITOR MODULE MOUNTING DETAIL FOR**  
WATER FLOW & TAMPER SWITCHES  
FIRE ALARM SYSTEM  
NOT TO SCALE



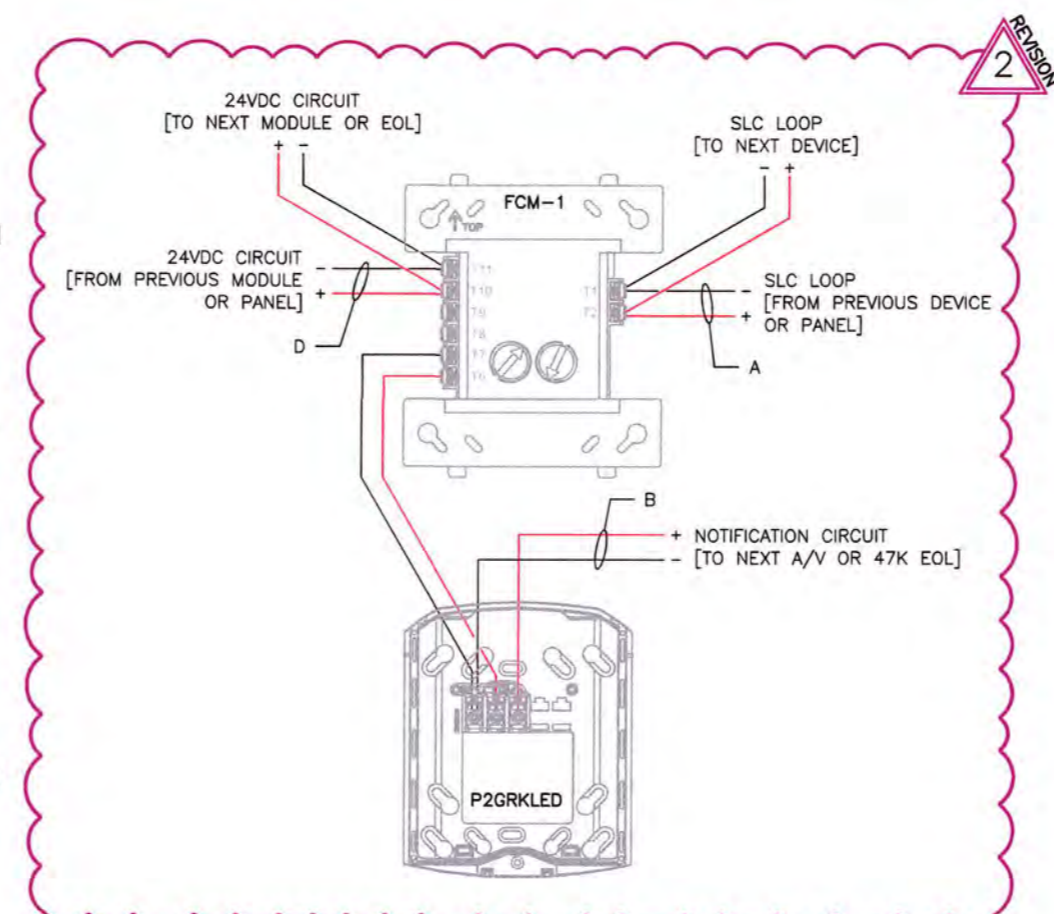
**DEVICE CEILING MOUNTING DETAIL**  
IN A DROP CEILING  
FIRE ALARM SYSTEM  
NOT TO SCALE



**NOTIFICATION DEVICE LOCATION DETAIL**  
IN A CROSS CORRIDOR  
FIRE ALARM SYSTEM  
NOT TO SCALE



**DEVICE TERMINATION DETAILS**  
FIRE ALARM SYSTEM  
NOT TO SCALE



**CABINET MOUNTING HEIGHT**  
FIRE ALARM SYSTEM  
NOT TO SCALE

Rev	Description	Date
1	Lululemon Build-Out	3.5.2020
2	SDO26005 Anthropologie Build-Out	1.8.2026

General Notes

- REFER TO COVER SHEET FOR SYSTEM LEGENDS, SYSTEM NOTES, & DEVICE INSTALLATION NOTES

**STATION 12 BUILDING B**  
3065 SHERIDAN DRIVE  
AMHERST, NY 14226

**BUILDING B - SYSTEM RISER DIAGRAM**  
SYSTEM INSTALLATION NOTES & DETAILS  
FIRE ALARM SYSTEM

**Great Lakes Building Systems**

BUFALO OFFICE: 201 Park Ave. Buffalo, NY 14202  
Tel: (716) 833-0001 Fax: (716) 833-0002

ROCHESTER OFFICE: 1000 South Ave. Rochester, NY 14620  
Tel: (716) 235-0001 Fax: (716) 235-0001

SYRACUSE OFFICE: 1000 South Ave. Syracuse, NY 13202  
Tel: (315) 496-0001 Fax: (315) 496-0001

Fire/Security Systems Integrators

Project Number:	JDCO11998	Revision:	2
Date:	11.1.2019	Scale:	AS NOTED

**FA3.1**

**NICET**  
CERTIFIED  
Level IV

**John F. Wojdan**  
Certification Number: 82767  
Valid Through: 12/31/2026