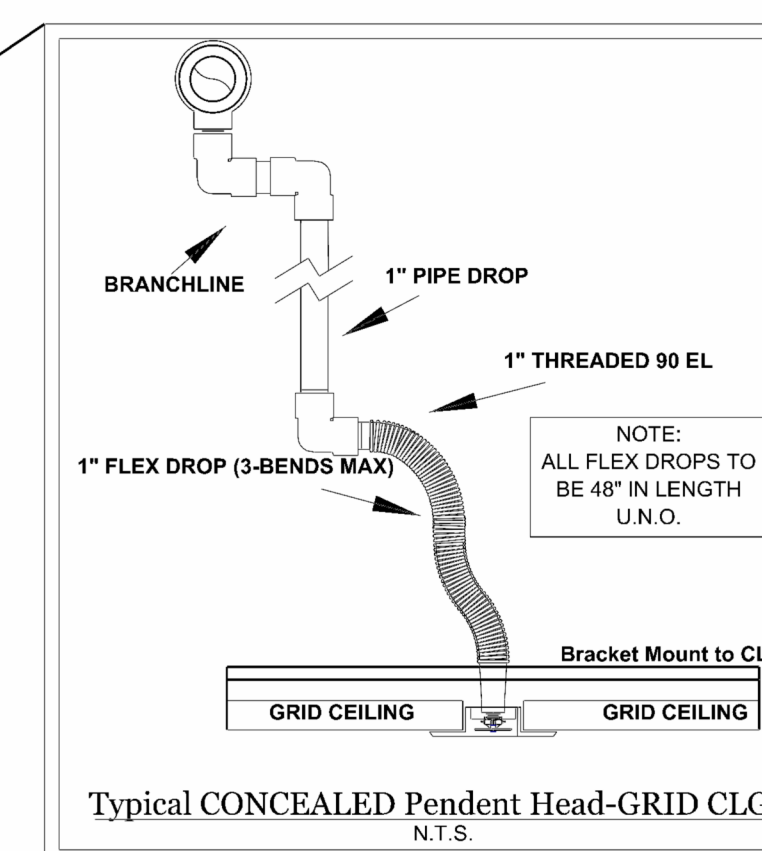
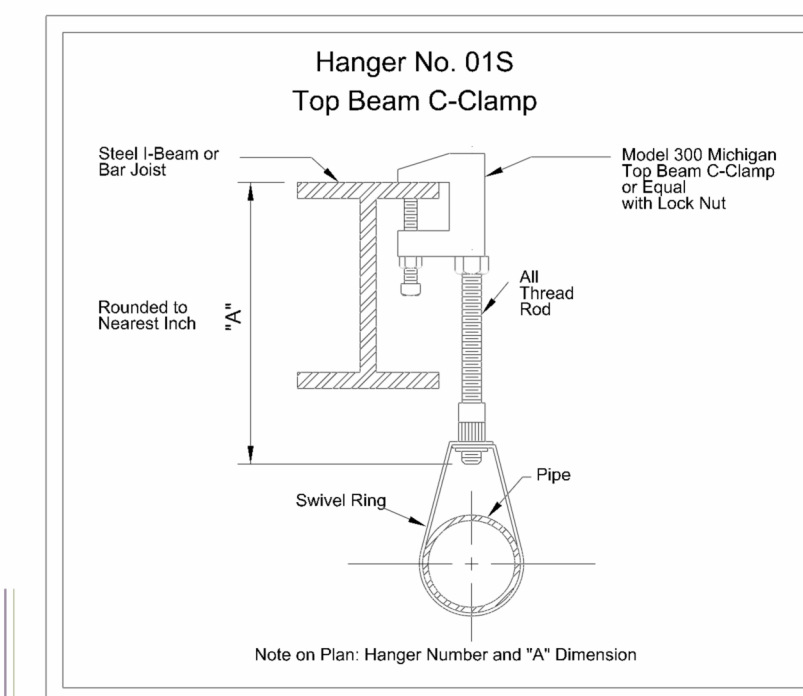
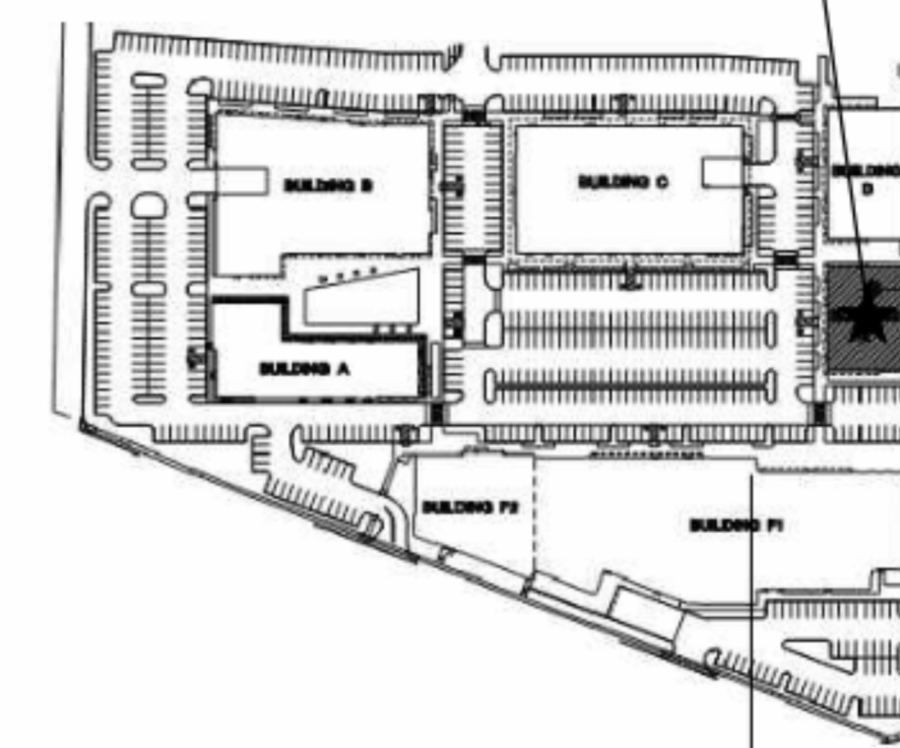


MALL KEY PLAN

FP MOVEMENT

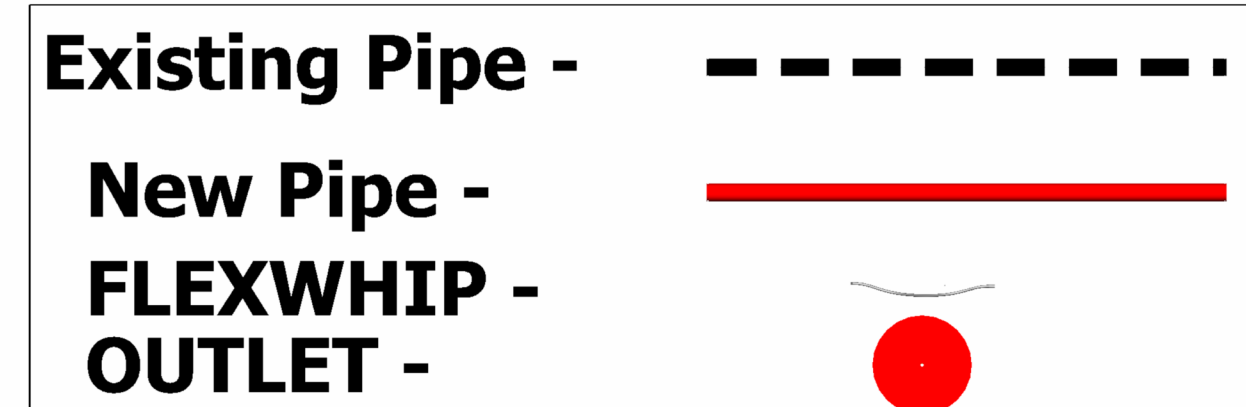


**FREE PEOPLE MVT FIRE PROTECTION DRAWING**

**DESIGN NOTE**

NO HYDRAULIC CALCULATIONS PROVIDED AS THE SYSTEM MODIFICATIONS ARE MINOR AND DO NOT AFFECT THE HYDRAULICS OF THE SYSTEM. THE EXISTING SHELL SYSTEM IS CALCULATED FOR ORDINARY HAZARD GROUP II .20/1500 SQFT USING 1.2K EXTENDED COVERAGE SPRINKLERS THE BUILDOUT DEMAND IS MUCH LESS THAN THE SHELL PROTECTION DEMAND AT THE ROOF DUE TO THE QUICK RESPONSE REDUCTION.

**PIPE LEGEND**



**MAXIMUM DISTANCE BETWEEN HANGERS - NFPA 13 2016**

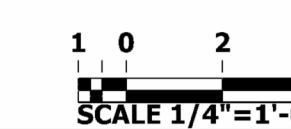
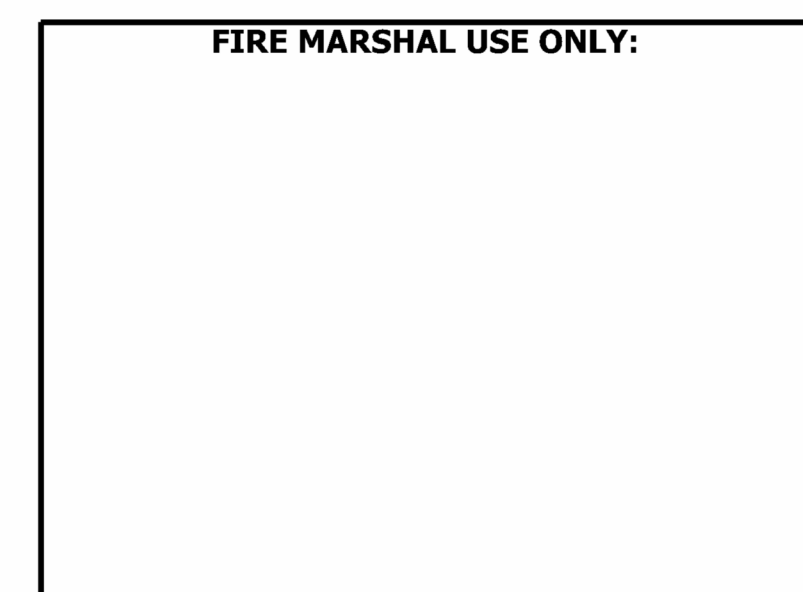
STEEL PIPE EXCEPT THREADED LIGHTWALL		THREADED LIGHTWALL STEEL PIPE		CPVC	
3/4"	N/A	3/4"	N/A	3/4"	5'-6"
1"	12'-0"	1"	12'-0"	1"	6'-6"
1 1/2"	12'-0"	1 1/2"	12'-0"	1 1/2"	6'-6"
1 1/2"	15'-0"	1 1/2"	12'-0"	1 1/2"	7'-0"
2"	15'-0"	2"	12'-0"	2"	8'-0"
2 1/2"	15'-0"	2 1/2"	12'-0"	2 1/2"	9'-0"
3"	15'-0"	3"	12'-0"	3"	12'-0"
3 1/2"	15'-0"	3 1/2"	N/A	3 1/2"	N/A
4"	15'-0"	4"	N/A	4"	N/A
5"	15'-0"	5"	N/A	5"	N/A
6"	15'-0"	6"	N/A	6"	N/A
8"	15'-0"	8"	N/A	8"	N/A

Sprinkler Legend											
Symbol	Manufacturer	SIN	Model	Quantity	K-Factor	Type	Size	Response	Finish	Temperature	Note
	Tyco	TY5237	EC-11	6	11.2	Pendent	3/4"	Quick	White Polyester	155°F	
	Viking	VK538	EC/QREC OH-ELO	18	11.2	Concealed Pendent	3/4"	Quick	Brass	165°F	
				Total = 24							

**GENERAL NOTES**

- 1) The Sprinkler System is designed in accordance with the requirements of NFPA-13 2022 and the 2025 Fire Codes of New York State.
- 2) All material shall be UL Listed and/or FM approved.
- 3) All work shall be tested per NFPA requirements, and shall be witnessed by the Owner/Owner's agent and/or by the local Fire Marshal/AHJ.
- 4) All hanger spacing shall be per NFPA requirements.
- 5) A threaded or grooved cap to be provided at the end of each main for flushing purposes.
- 6) All control valves shall have tamper switches.(WIRING BY OTHERS)
- 7) All Sprinkler Systems shall have flow switches connected to the Fire Alarm System.(WIRING BY OTHERS)
- 8) A spare head box with heads and wrench shall be provided. Location to be determined in field by Owner, G.C., and Fire Marshal.
- 9) The Owner of the property is responsible for maintenance of all Sprinkler Systems as per NFPA-25 and the New York State Fire Codes.
- 10) The Owner of the property is responsible for maintaining adequate heat in the building at all times.

**FIRE MARSHAL USE ONLY:**



STAMP:

REVIEWED BY:  
DANIEL L. MERKLE, CET  
(NICET #118915, LEVEL III)

**Colonial FIRE PROTECTION SYSTEMS, INC.**  
1400 St Paul St  
Rochester, NY 14621  
P: 585.381.7362 F: 585.381.8263

**PROJECT:**  
Station Twelve FREE PEOPLE MVT  
3045 Sheridan Drive  
Amherst, NY 14226  
Automatic Fire Sprinkler Plan

Date: 02/22/2026  
Scale: 1/4" = 1'-0"  
Job No: 02222026  
Drawn By: CMM  
Sheet No: FP-1 of 1