



CERTIFICATE OF AUTHORIZATION NUMBER:
PROFESSIONAL ENGINEERING: 018281
LAND SURVEYING: 017976
GEOLOGICAL: 018750

It is a violation of New York Education Law Art. 145 Sec. 7209 & Art. 147 Sec. 7307, for any person, unless acting under the direction of a licensed architect, professional engineer, or land surveyor, to alter an item in any way. If an item bearing the seal of an architect, engineer, or land surveyor is altered, the altering architect, engineer, or land surveyor shall affix to the item their seal and notation "altered by" followed by their signature and date of such alteration, and a specific description of the alteration.

© 2023 LaBella Associates



5795 LEWISTON ROAD
NIAGARA UNIVERSITY, NEW YORK 14109



EDA PROJECT No. 01-01-15369 HUD PROJECT No. B-23-CP-NY-1083



ESD PROJECT No. 135,035

**ACADEMIC INNOVATION
HUB - WORK FORCE
DEVELOPMENT TRAINING**

822 CLEVELAND AVENUE
NIAGARA FALLS, NEW YORK 14305

NO.	DATE	DESCRIPTION
Revisions		

PROJECT NUMBER: 2221723

DRAWN BY: BRD

REVIEWED BY: JMR

ISSUED FOR: BID

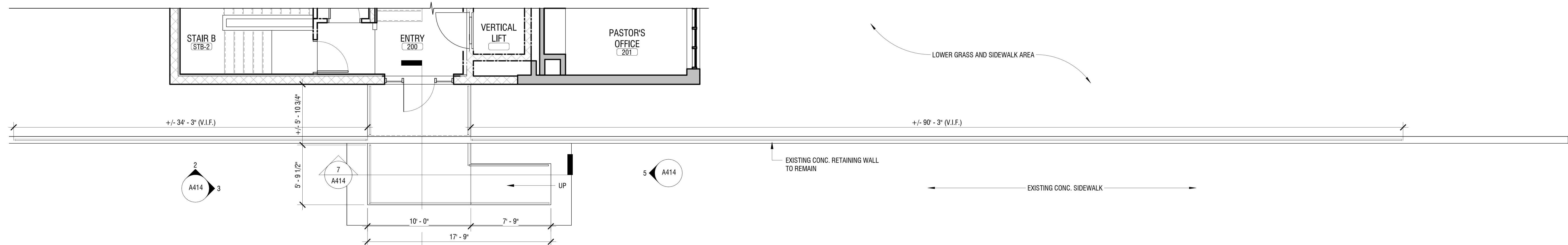
DATE: APRIL 11, 2024

DRAWING NAME:

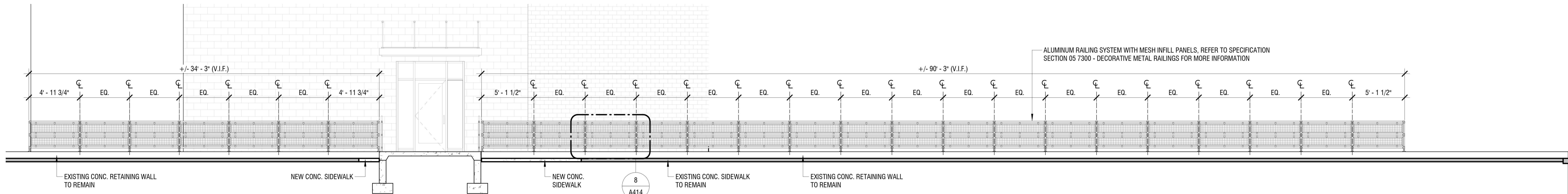
**NEW SIDE ENTRANCE
PLANS AND ELEVATIONS**

DRAWING NUMBER:

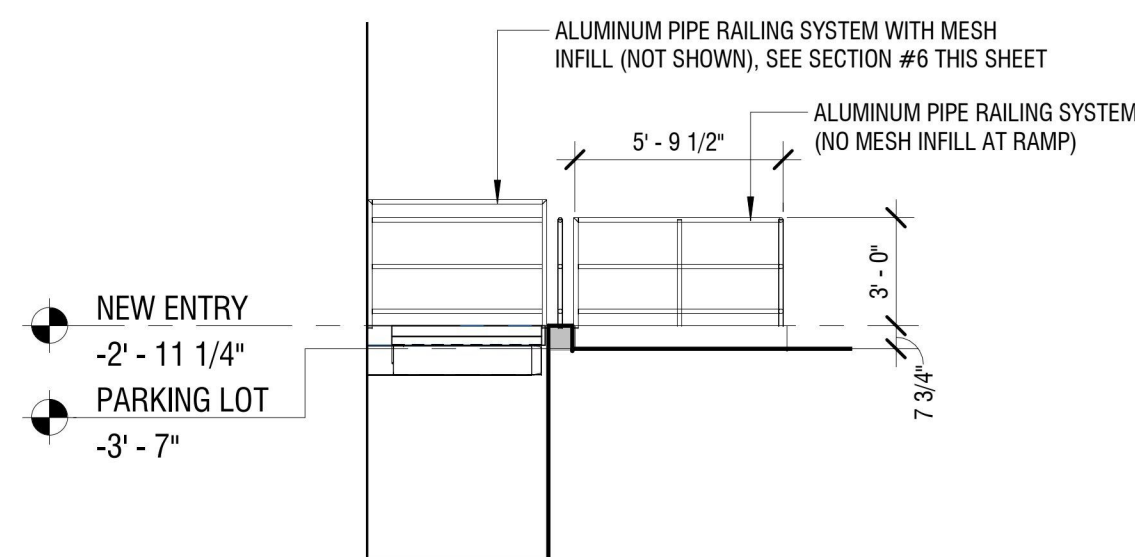
A414



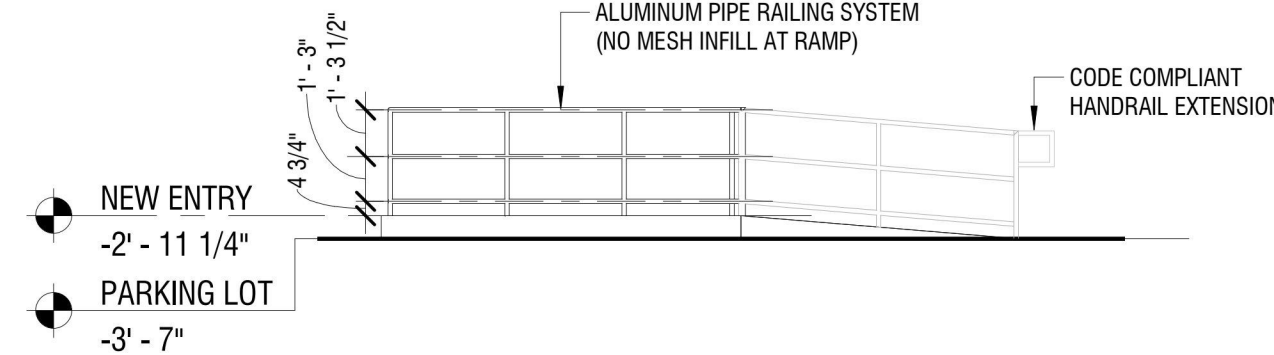
1 EXTERIOR RAMP/RAILING PLAN
A414 3/16" = 1'-0"



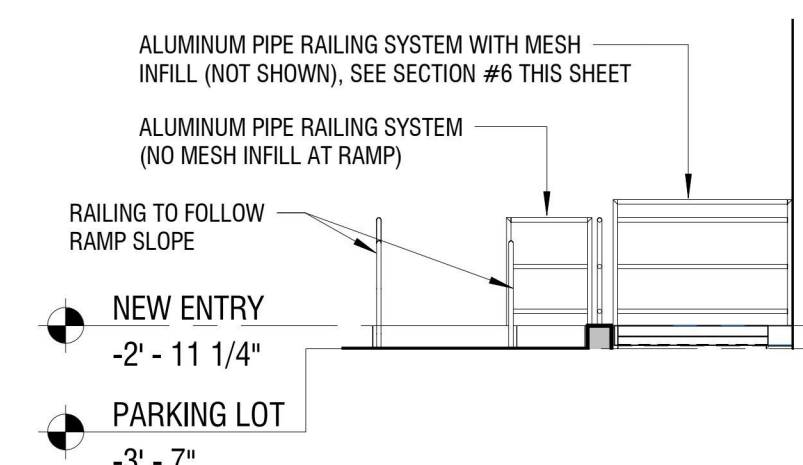
2 RAILING ELEVATION
A414 3/16" = 1'-0"



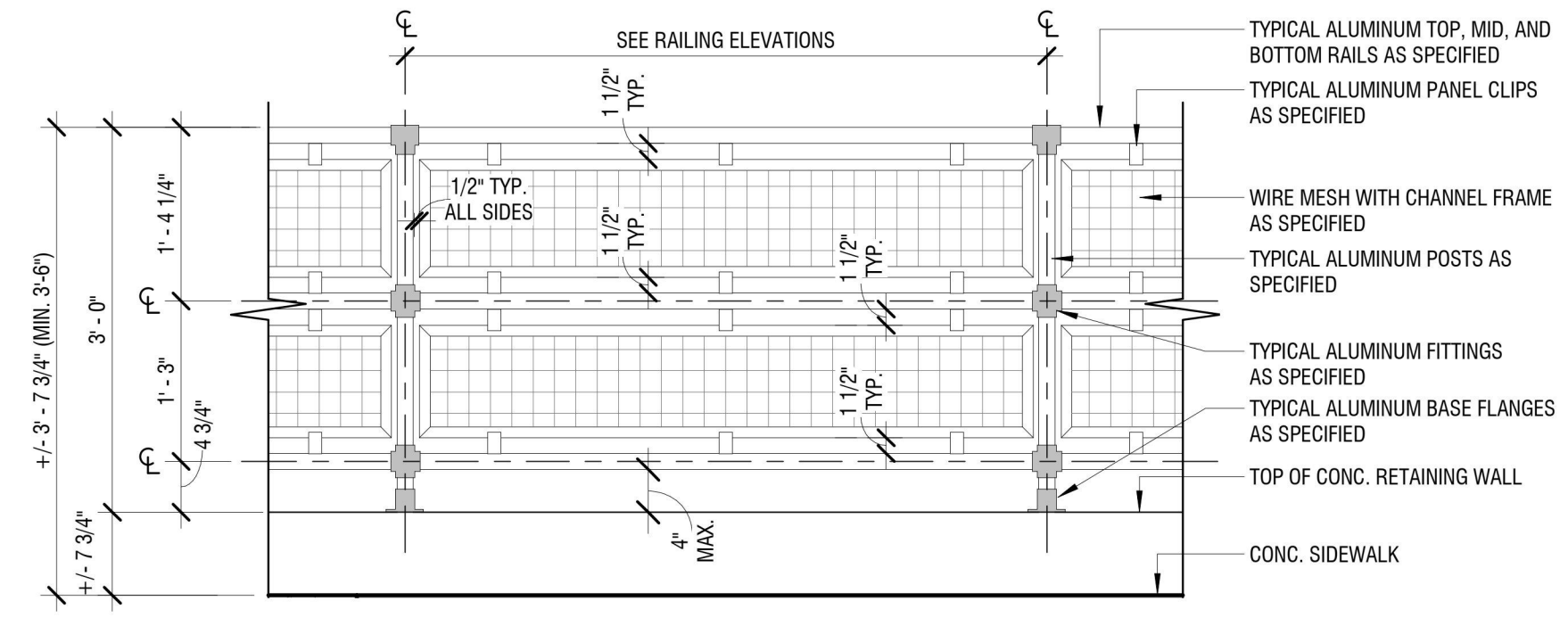
3 RAMP/RAILING ELEVATION
A414 3/16" = 1'-0"



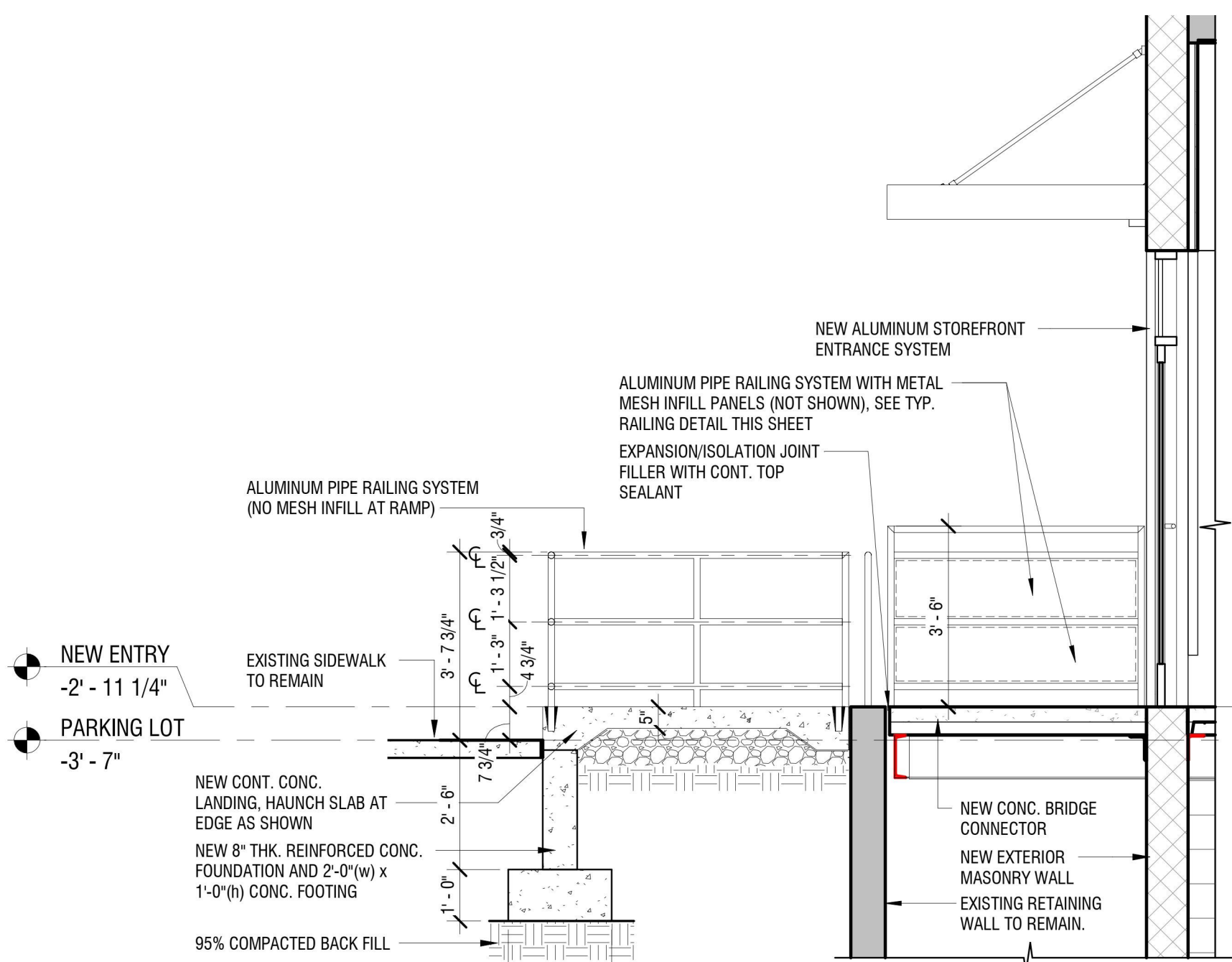
4 RAMP/RAILING ELEVATION
A414 3/16" = 1'-0"



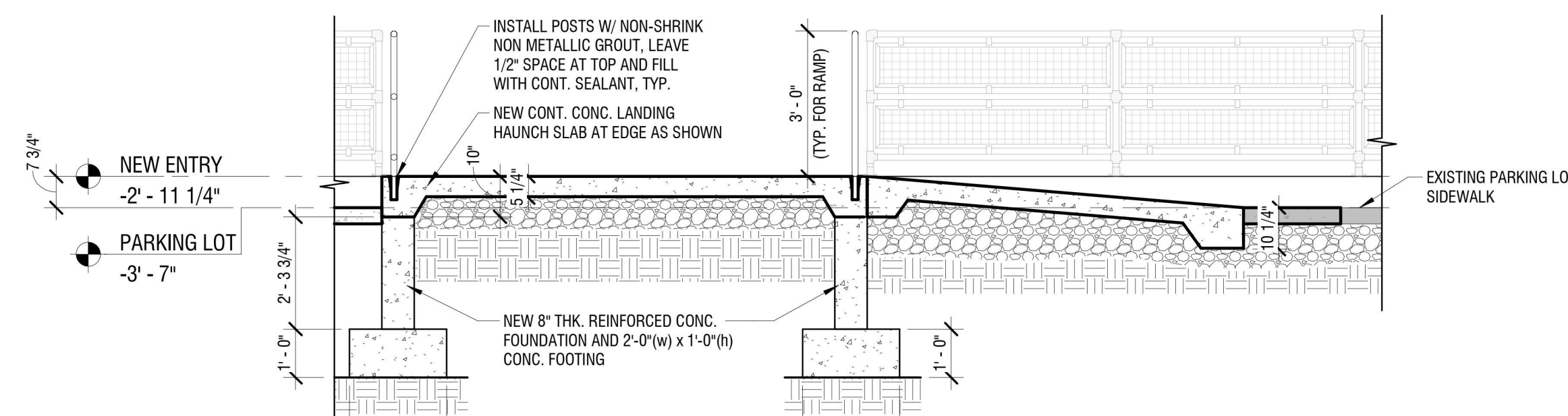
5 RAMP/RAILING ELEVATION
A414 3/16" = 1'-0"



8 TYPICAL RAILING ELEVATION
A414 3/4" = 1'-0"



6 SECTION AT NEW BRIDGE/SIDE ENTRANCE
A414 3/8" = 1'-0"



7 RAMP SECTION
A414 3/8" = 1'-0"