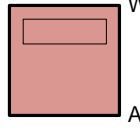
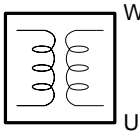
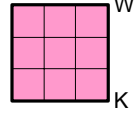
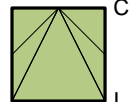


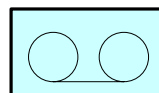



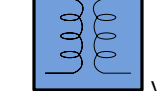


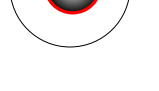



THIS DRAWING IS THE PROPERTY OF Securitas Electronic Security

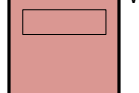
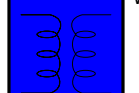
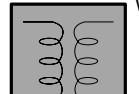
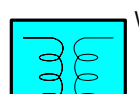



ALARM

-  Pacom RTU 8002 Large
-  48 Hour Extended Power Supply (existing)
-  Pacom LCD Keypad
-  DS936 - Motion Detector, Ceiling

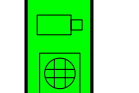




CCTV

-  Verint EdgeVR 300 NVR
-  Key-16-6000R w/ 4TB-KIT-RAID1 and UPS
-  Verint S1816e Encoder
-  PoE Switch
-  Altronix 24VAC Camera Power Supply
-  ALTV2416300ULCBM
-  KEY-V4750 IP Verint Indoor Dome - Ceiling Mount with recess kit (no backbox required)
-  Verint 5MP Indoor 360 Degree Dome - ceiling mounted
-  19" Desk mount Monitor

ACCESS CONTROL

-  Pacom 8002 Alarm and Access Panel (large with SODIM memory)
-  Pacom 1076 Enclosure
-  Altronix 400ULM 1064 Power Supply
-  Altronix AL600ULACM Door Hardware Power Supply
-  HID iClass RP40 Card Reader
-  Push to Exit Button
-  Emergency Pull Station (SG-32CXK2BL) with (6510/COV) Plexiglass Anti-Tamper Clear Cover

Axis Door Station

-  A8004-VE Network Video Door Station
-  Mag lock (by others)
-  Electric Strike with diode (by others)
-  REX Motion
-  Flush Mount Door Contact (947-75TWH)

Type		Belden #	Alpha #	Genesis#	West Penn #	Description	Typical Use
16/4	83704					16 AWG Stranded 2 Twisted Pairs Copper Conductors Plenum	Camera Power, Door Lock Power, Low Voltage Power Used from Head End to Device
18/2	82740	8707P	3114	25224B		18 AWG Stranded 1 Twisted Pair Copper Conductors Plenum	Low Voltage Power, Door Lock Power Used at Door Locations to interconnect powered devices
18/4	82444	8709P	3115	25244B		18 AWG Stranded 2 Twisted Pairs Copper Conductors Plenum	Low Voltage Power, Door Lock Power Used at Door Locations to interconnect powered devices
22/4	82723	8730P	3104	25241B		22 AWG Stranded 2 Twisted Pairs Copper Conductors Plenum	Alarm Points, REX Devices, Door Contacts
22/6	6504FE	8808P	3206	253270		22 AWG Stranded 3 Twisted Pairs Copper Conductors Plenum	Card Readers
Cat 6	7882A					23 AWG Solid Copper Conductors	Network Cabling, UTP Video, AiPhone Intercom
Banana	658AFS					Access Control Banana Peel Cable	Lock Power, Device Power, Card Reader, REX
22/4 Low Cap Communication	6542FE					22 AWG Solid Copper Conductors, Twisted into multiple pairs, Twisted together, With Drain Wire, Plenum	Pacom RS 485 Device Communications ie: Cabling between 1064 devices

** No cable substitutions can be made unless approved by the Diebold Project Manager in writing **
 ** Any improper cable will be replaced at no cost to Diebold within the project timeline **



Electronic Security Protection

Filename: **KeyBank Larkin, NY CAC**
 FI_Security_Vendor_Overlay_07/05/2023

Page Title Legend

"KeyBank Confidential"



THIS DRAWING IS THE PROPERTY OF Securitas Electronic Security



Electronic Security Protection

Filename: **KeyBank Larkin, NY CAC**
FI_Security_Vendor_Overlay_07/05/2023

Page Title **Equipment Overlay**

"KeyBank Confidential"

02 of 06



THIS DRAWING IS THE PROPERTY OF Securitas Electronic Security



Electronic Security Protection

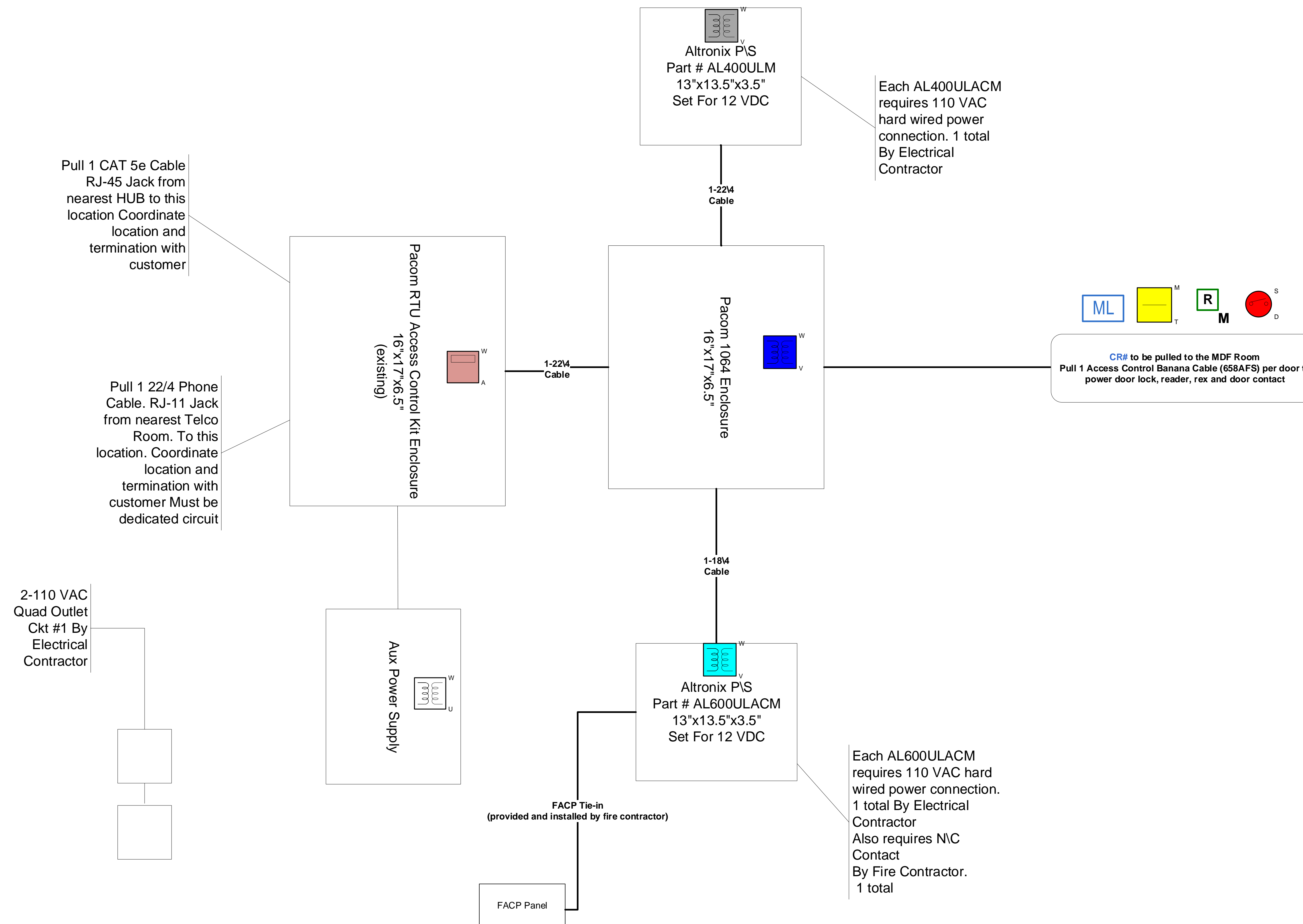
Filename: KeyBank Larkin, NY CAC
FI_Security_Vendor_Overlay_07/05/2023

Page Title Access Cable Riser

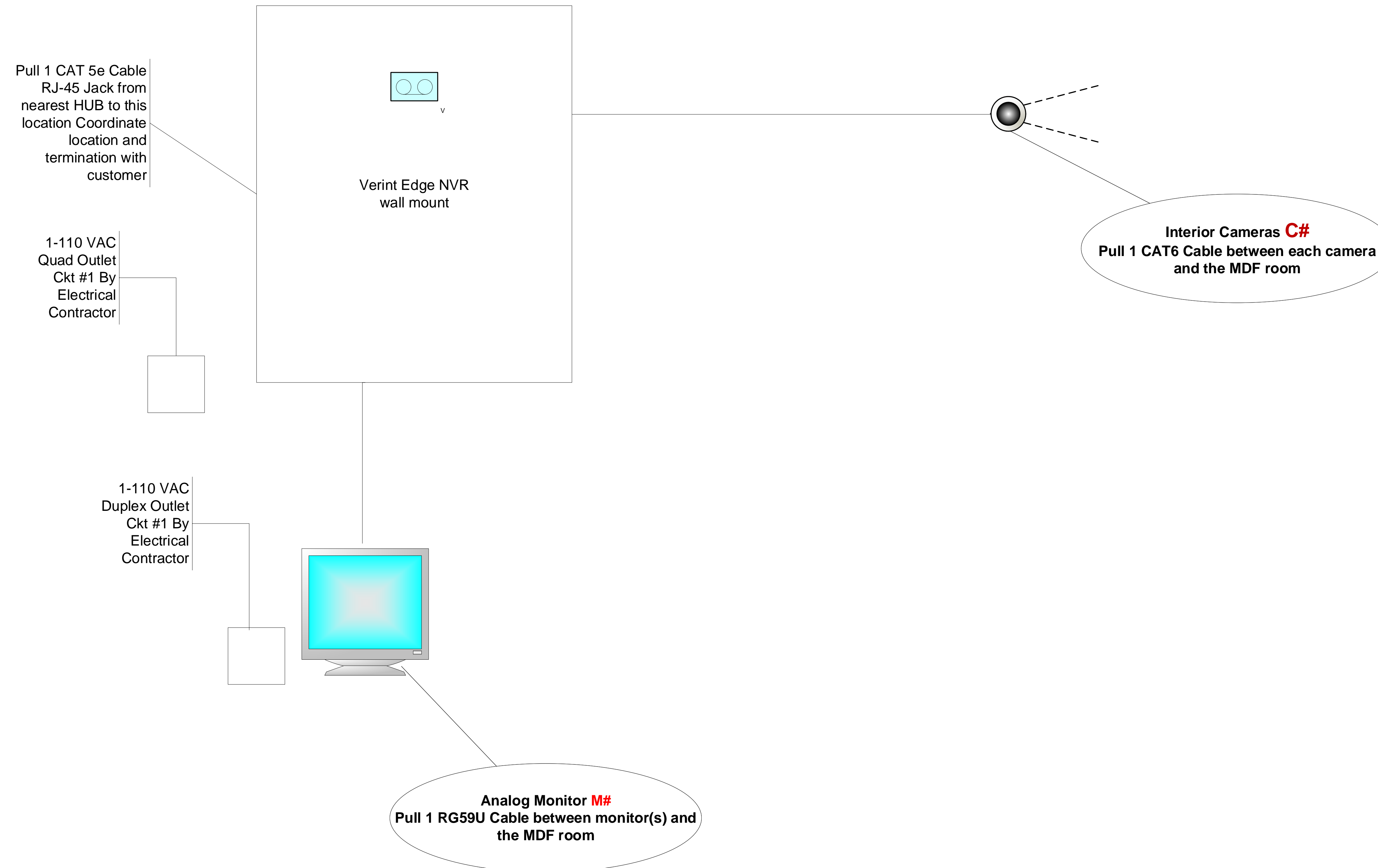
"KeyBank Confidential"

03 of 06

MDF Room



MDF Room




THIS DRAWING IS THE PROPERTY OF Securitas Electronic Security

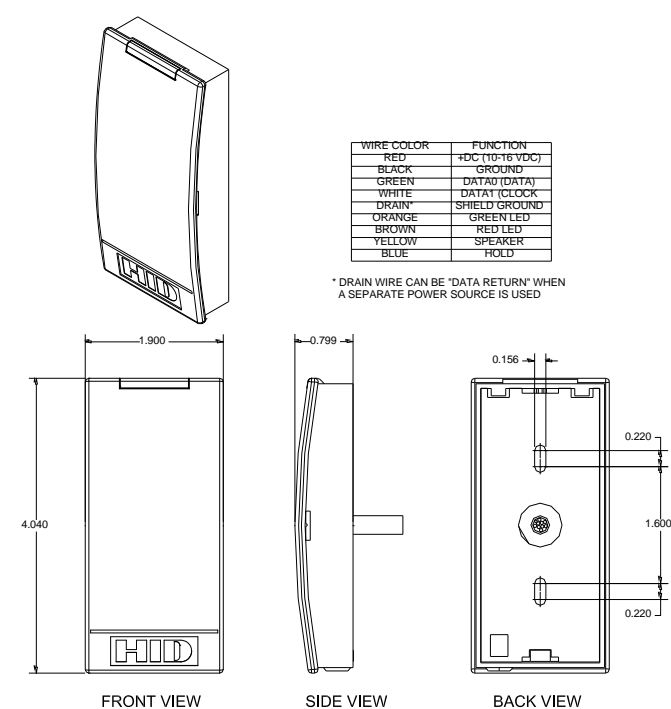
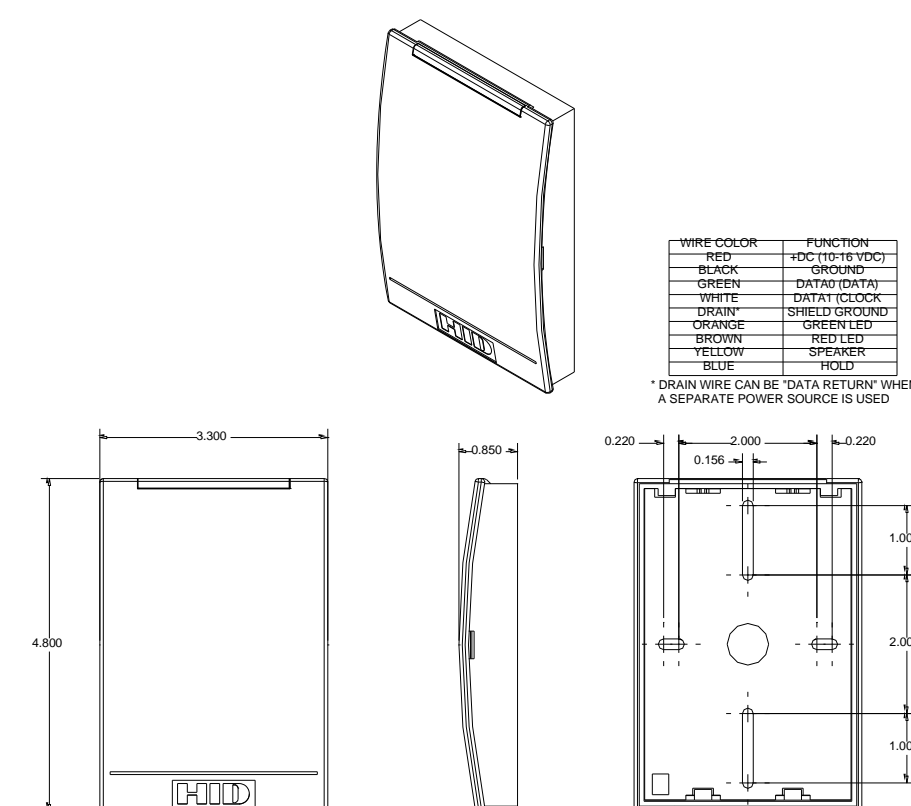


Electronic Security Protection

Filename: *KeyBank Larkin, NY CAC*
Fl_Security_Vendor_Overlay_07/05/2023

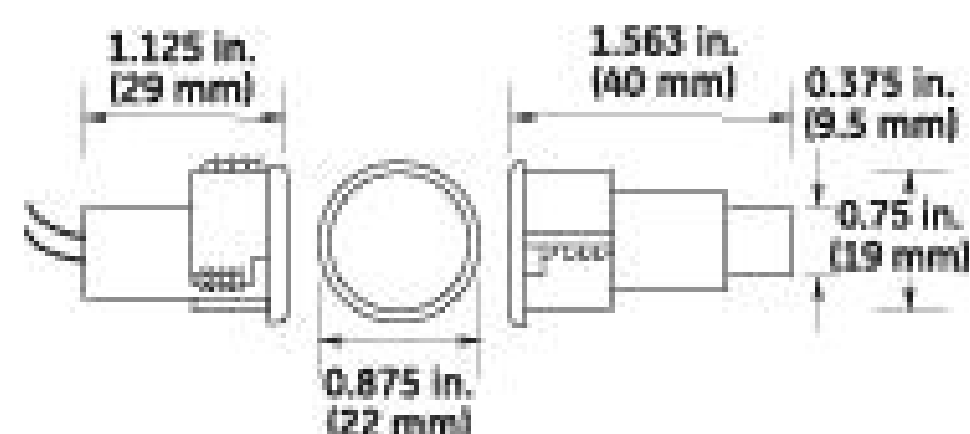
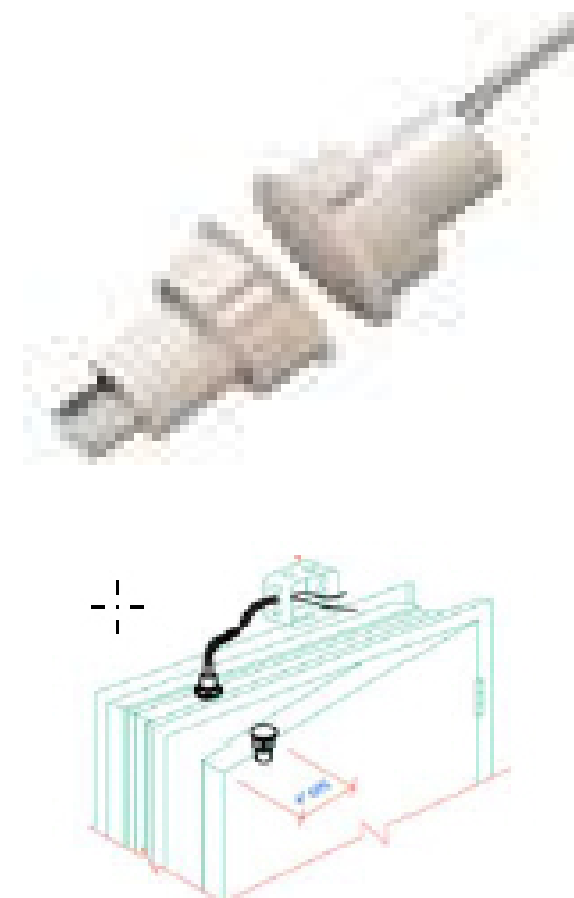
Page Title CCTV Cable Riser
"KeyBank Confidential"

HID Smart Card Reader
 Model: RP 40 & RP 15
 Backbox: Single gang vertical
 Conduit: 3/4" above ceiling
 Location: Unsecured handle side
 of door if out reader secure side of
 door
 Elevation: 48" AFF or at Architects
 instruction
 Cable: 22/6 to Pacom 1064
 Symbol: 



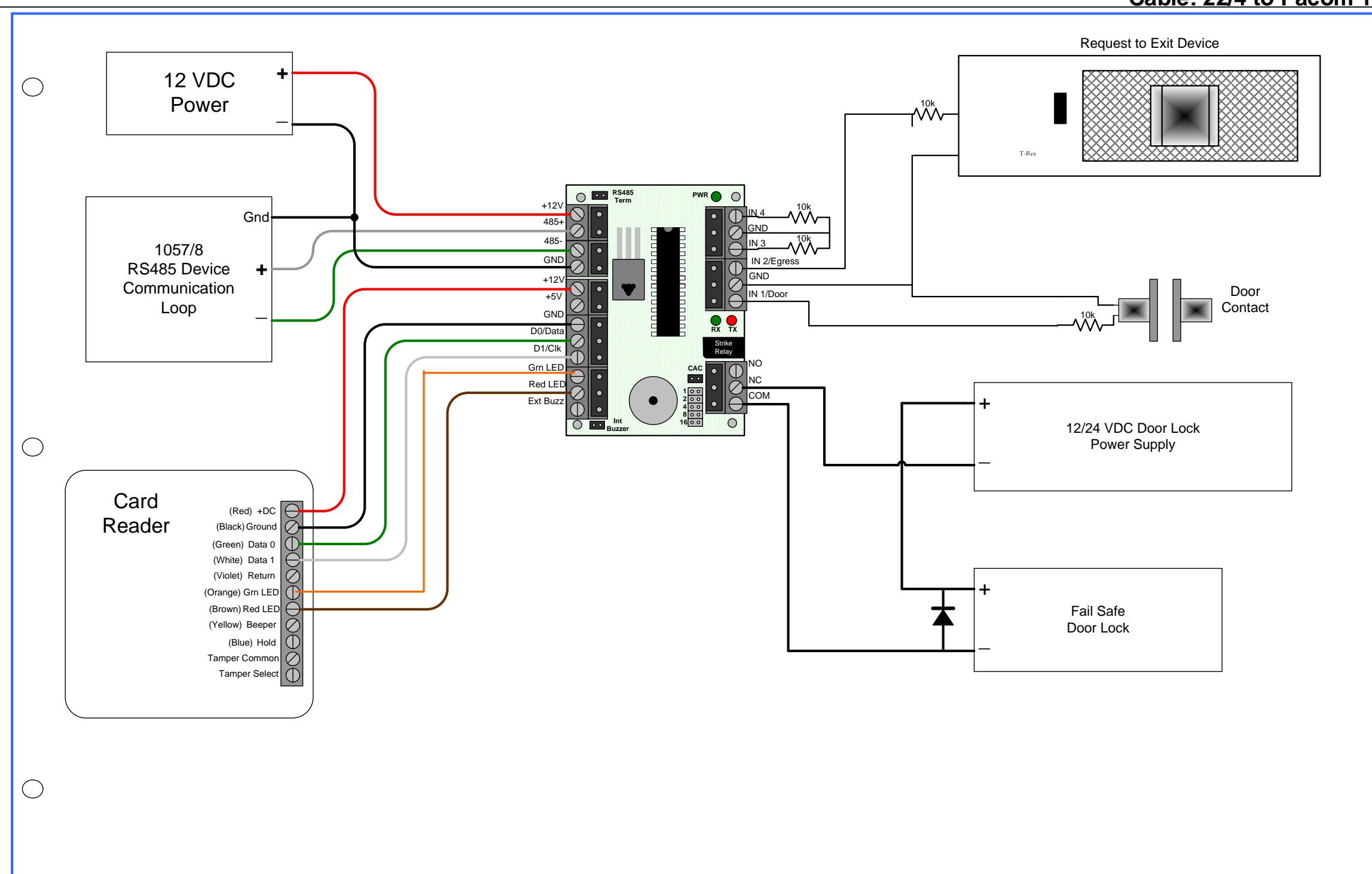
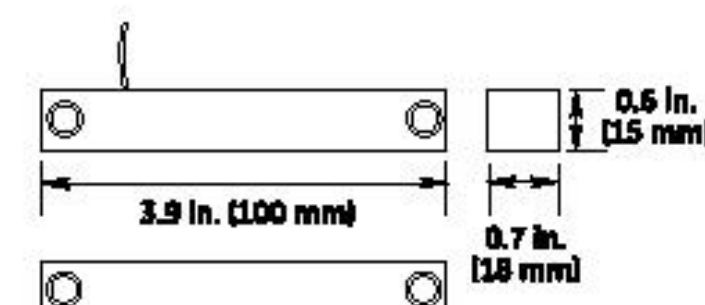
R15 Reader 6140
 Image View: Front


Model 1078C



Hole Required
Contact Magnet
 .75" x 1.125" .75" x 1.563"

Door Contact for Alarm/Access
 Control
 Model: Sentrol 1078 & 1047
 Backbox: N/A
 Conduit: 3/4" stub above ceiling
 Location: Top of door frame Max
 6" from strike jamb
 Elevation: Top of door frame strike
 side
 Cable: 22/4 to Pacom 1064



SigCom Emergency Door Release
 Model: SG-32CXK2BL
 Backbox: Single gang vertical
 Conduit: 3/4" above ceiling
 Location: Secured handle side of
 door
 Elevation: 48" AFF or at Architects
 instruction
 Cable: 22/4 to MagLock at the door
 Symbol: 



THIS DRAWING IS THE PROPERTY OF Securitas Electronic Security



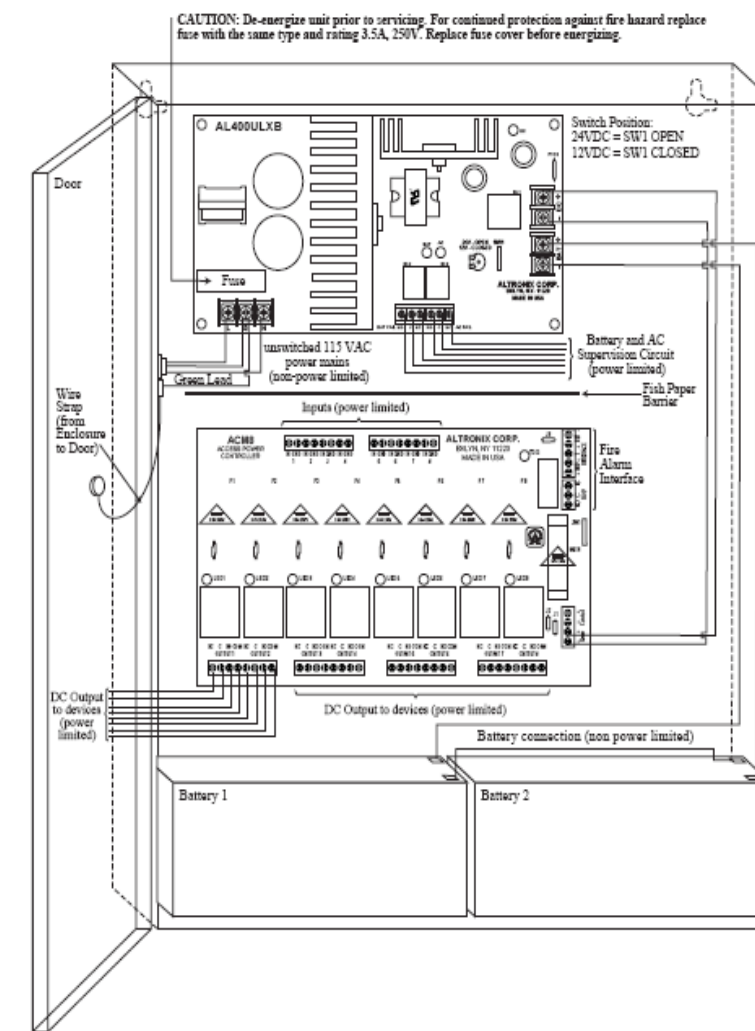
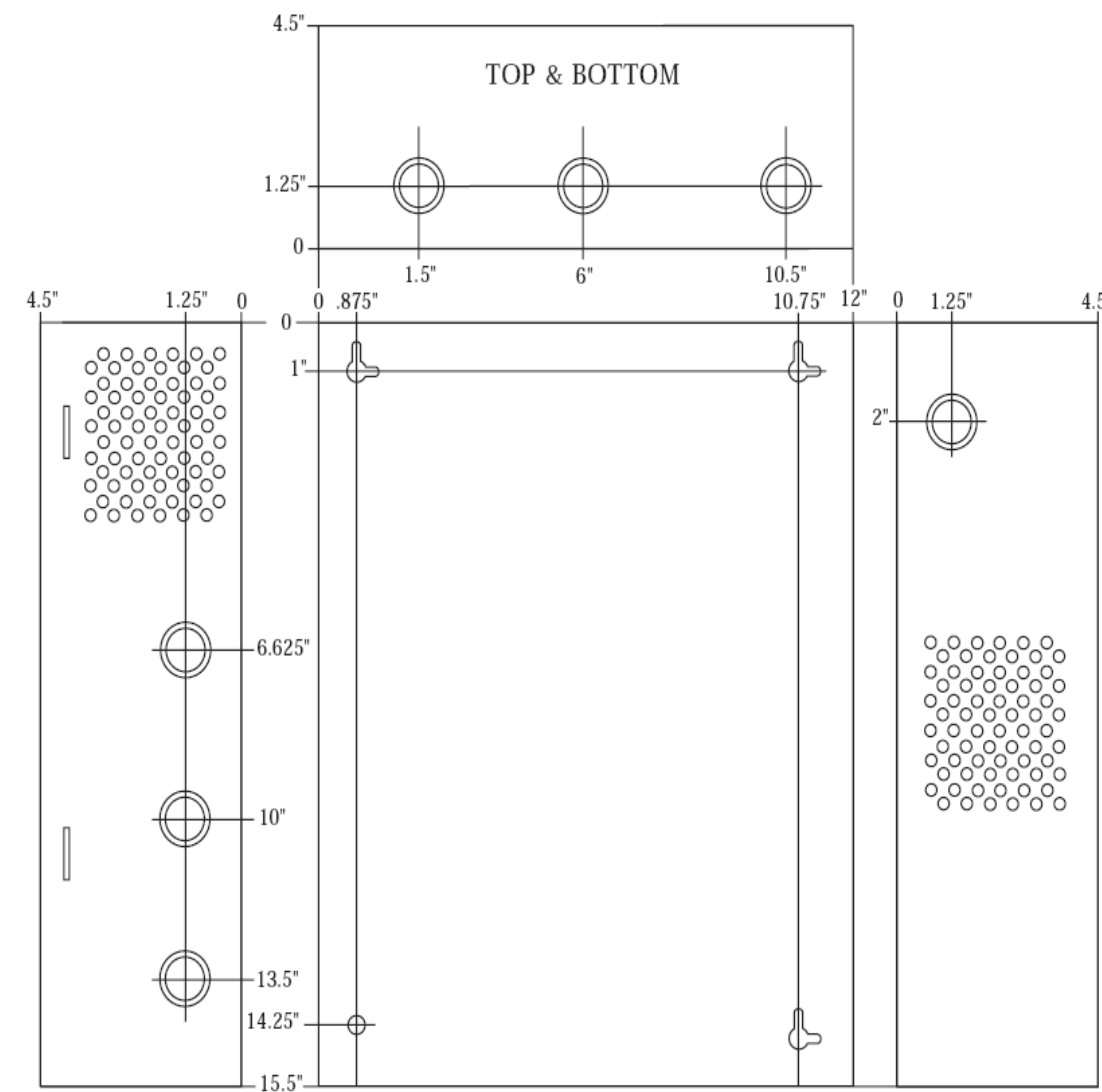
Electronic Security Protection

Filename: **KeyBank Larkin, NY CAC**
FI_Security_Vendor_Overlay_07/05/2023

Page Title **Card Access Detail**

"KeyBank Confidential"

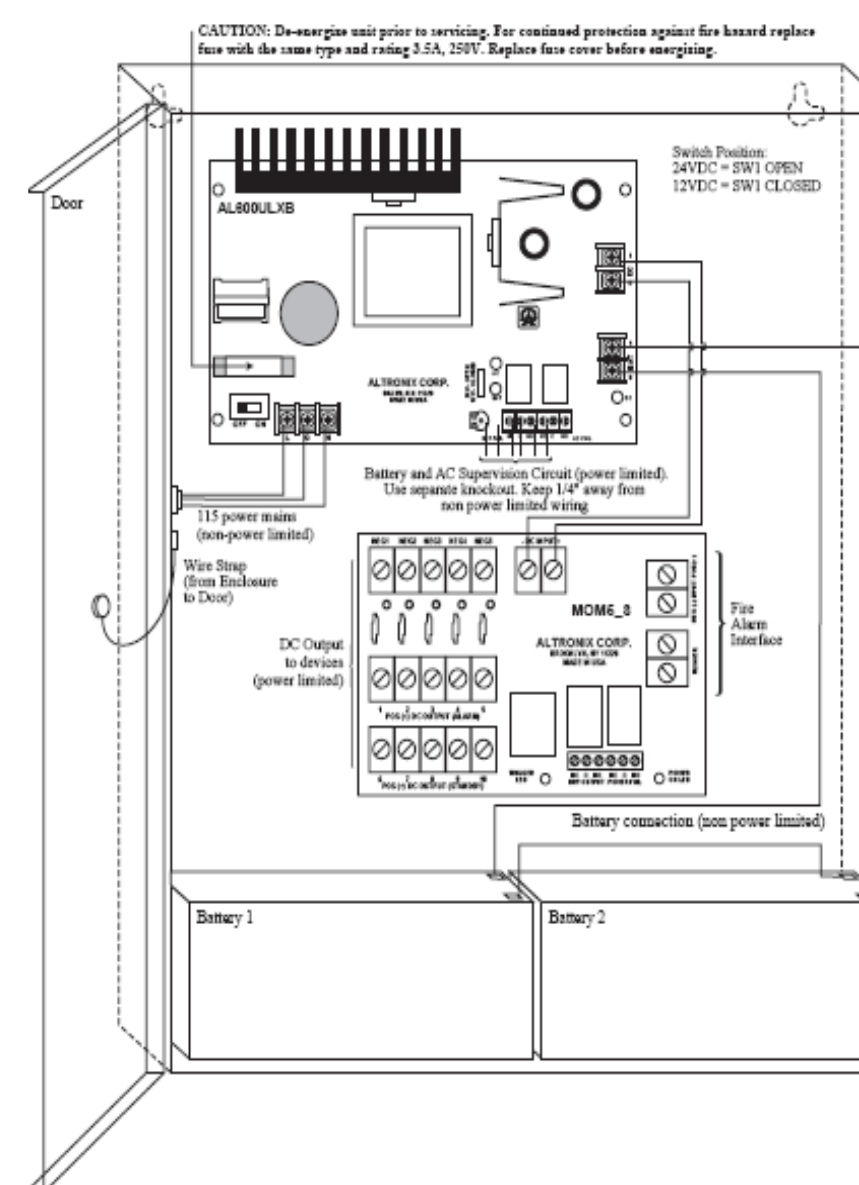
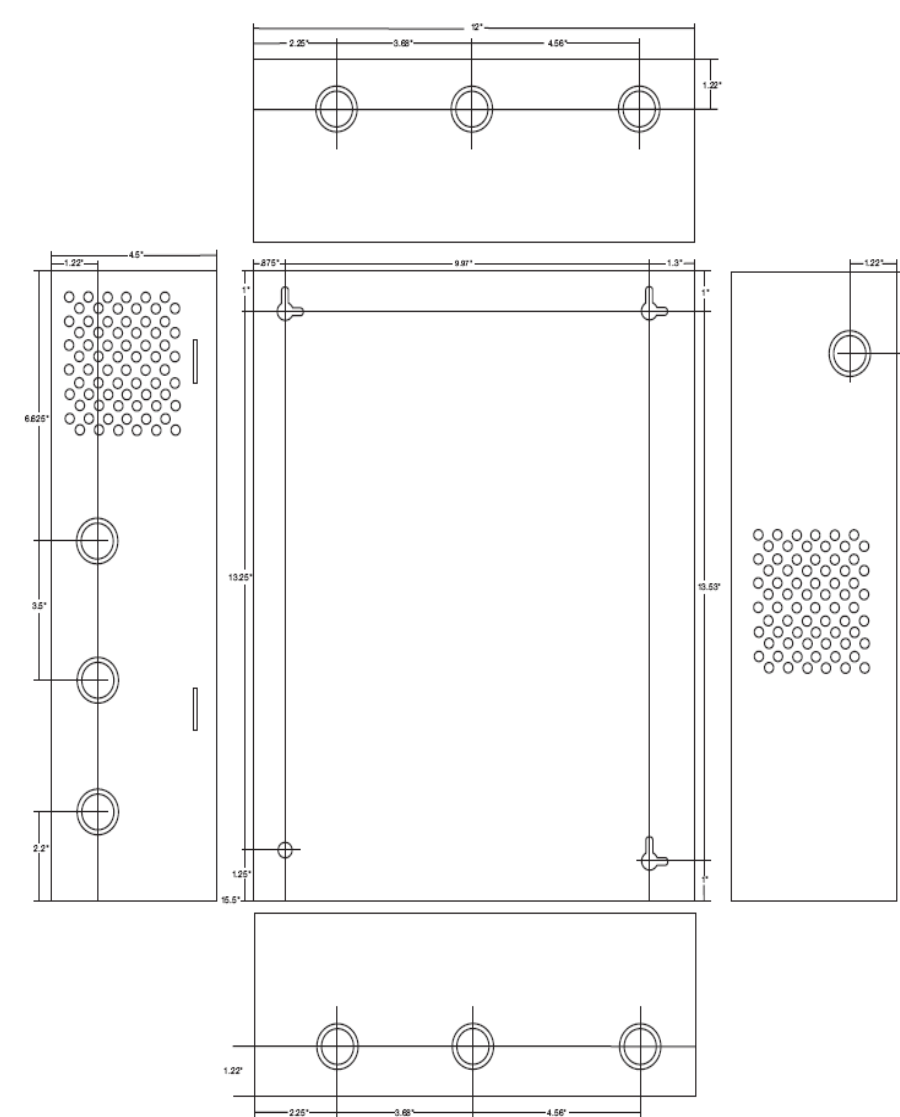
Enclosure Dimensions:
15.5"H x 12"W x 4.5"D



AL 400 Device Power Supply

Enclosure Dimensions

15.5"H x 12"W x 4.5"D
393.7 mm x 304.8 mm x 114.3 mm



AL 600 Lock Power Supply



THIS DRAWING IS THE PROPERTY OF Securitas Electronic Security



Electronic Security Protection

Filename: **KeyBank Larkin, NY CAC**
Fl_Security_Vendor_Overlay_07/05/2023

Page Title **Access Power Supply**
"KeyBank Confidential"