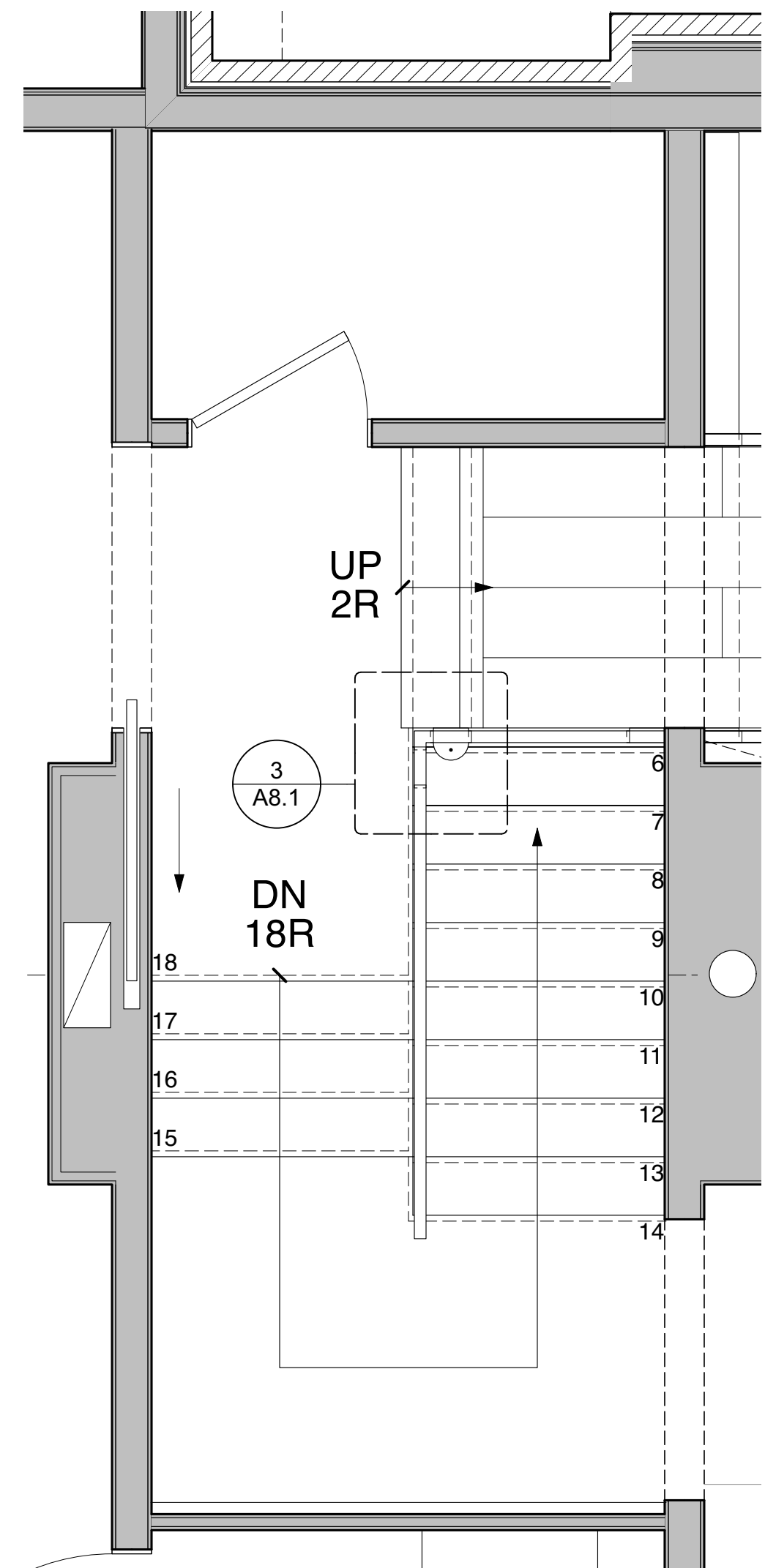
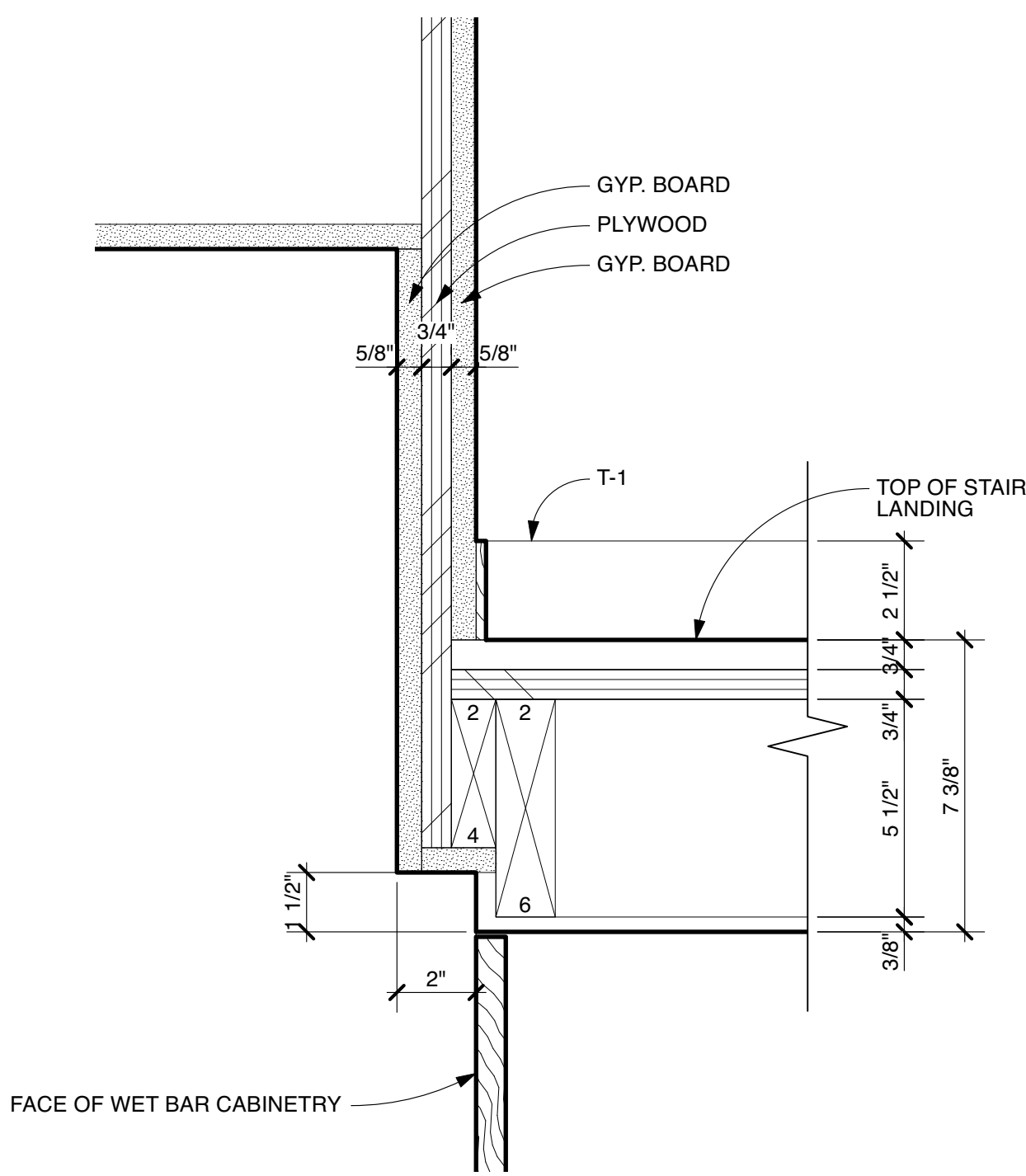


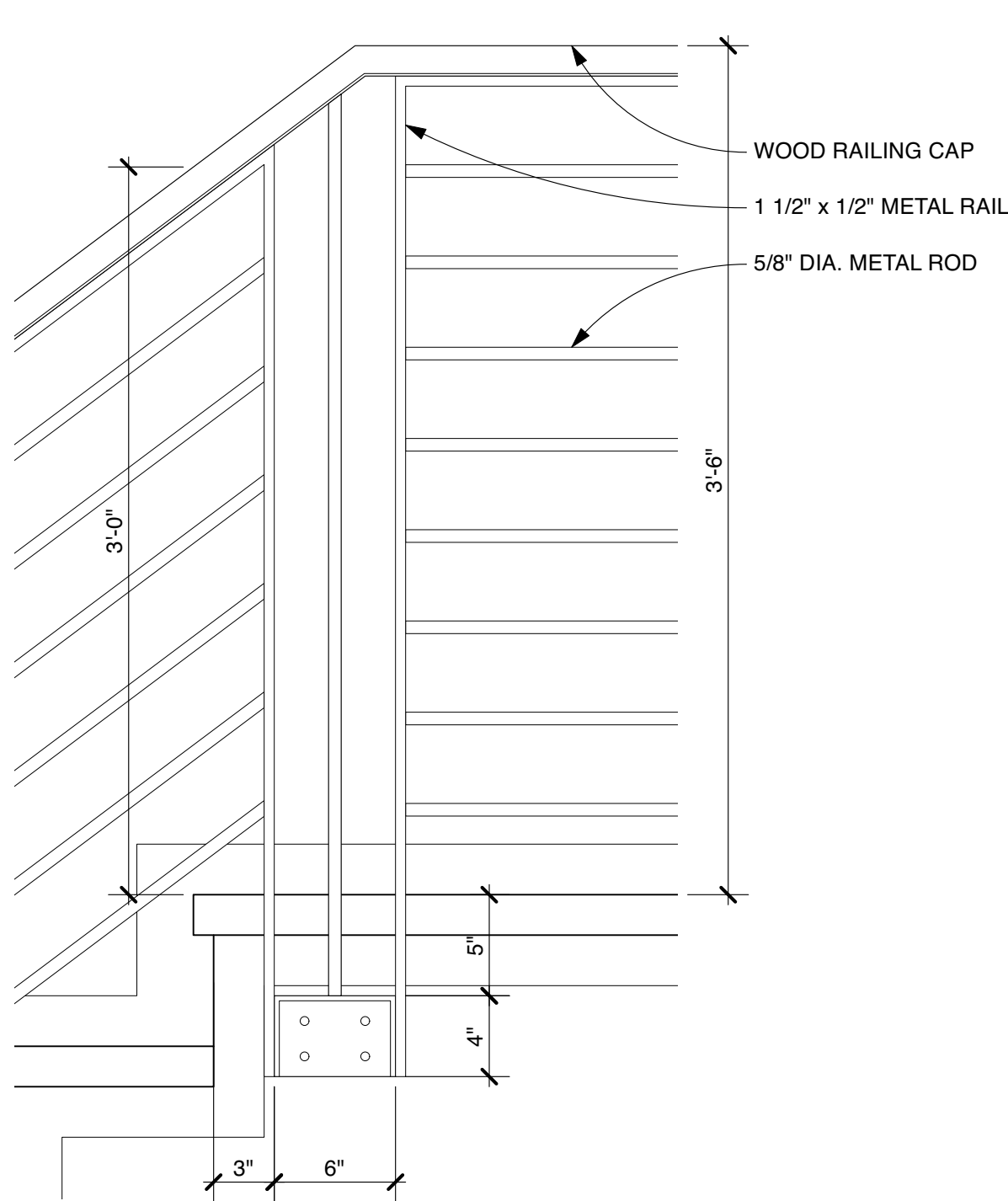
1 STAIR DETAIL PLAN - SECOND TO FIRST FLOOR
Scale: 1/2" = 1'-0"



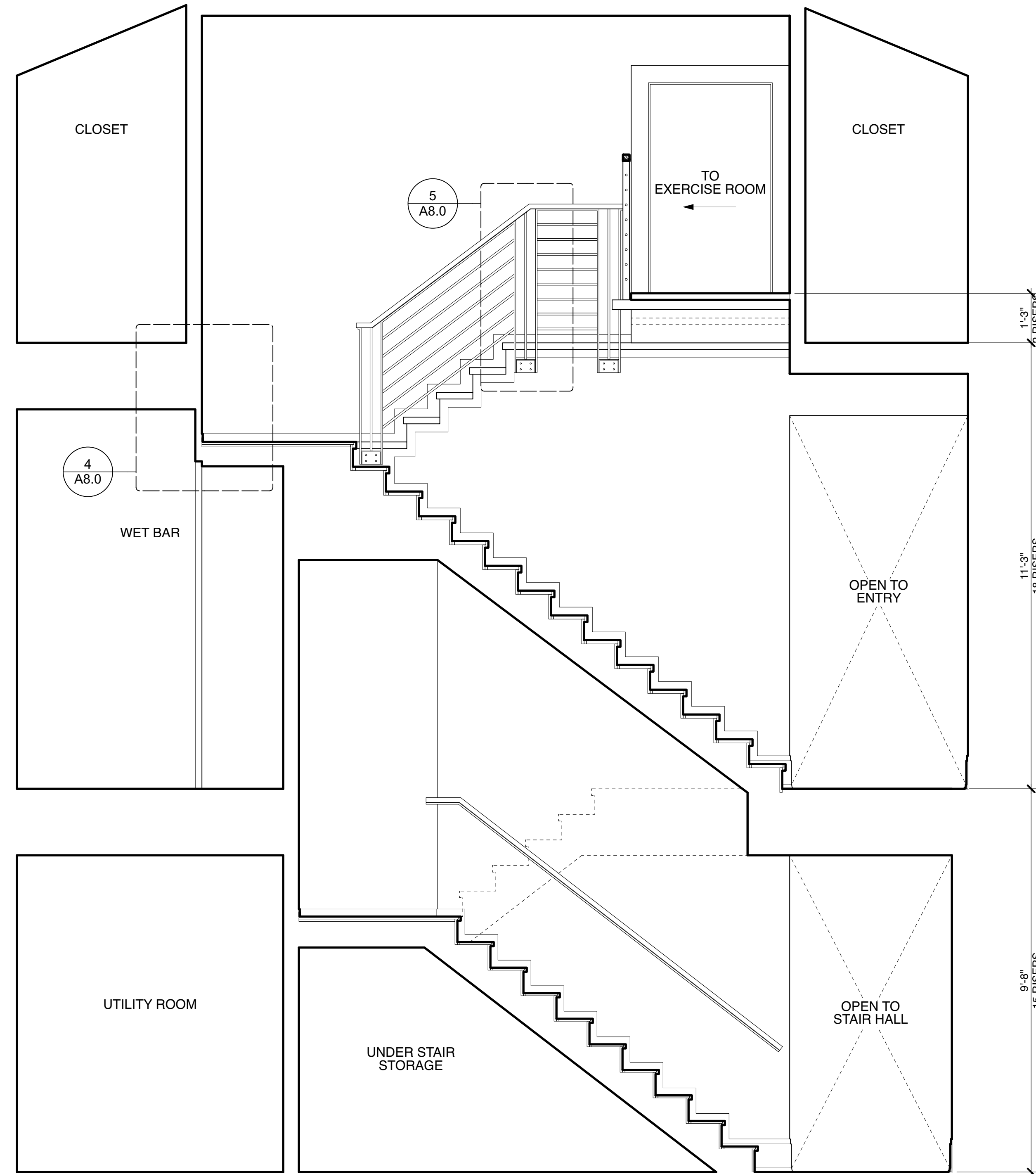
2 STAIR DETAIL PLAN - FIRST FLOOR TO BASEMENT
Scale: 1/2" = 1'-0"



4 WET BAR & STAIR LANDING DETAIL
Scale: 3" = 1'-0"



5 UPPER STAIR RAILING DETAIL
Scale: 1 1/2" = 1'-0"



3 STAIR SECTION - LOOKING WEST
Scale: 1/2" = 1'-0"

Grand Island Residence
E. River Road
Grand Island, NY

**NOT FOR CONSTRUCTION
PRICING SET ONLY**

Project Number: 2022-0034

bba ARCHITECTS

1010 SOUTH WABASH
CHICAGO, ILLINOIS 60605
312.663.0222

bbaworld.com
Consultant:

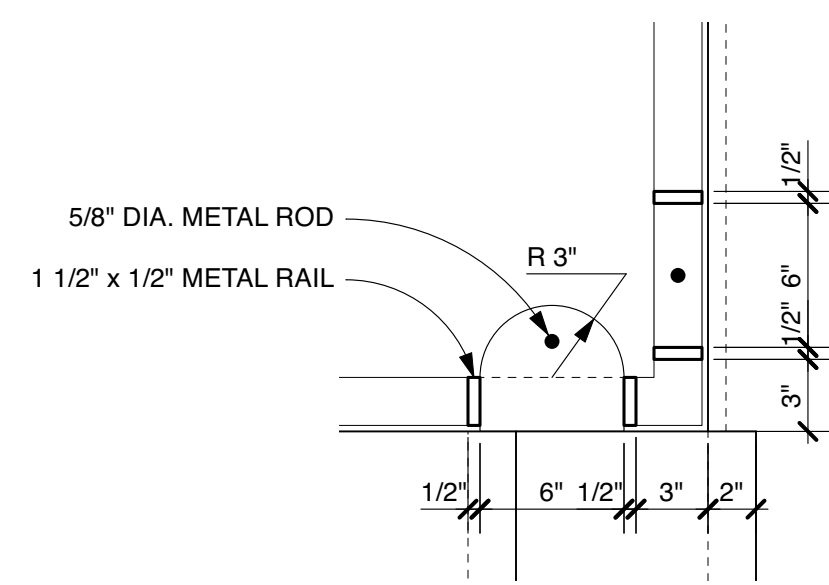
Sheet Title:

Stair Elevations

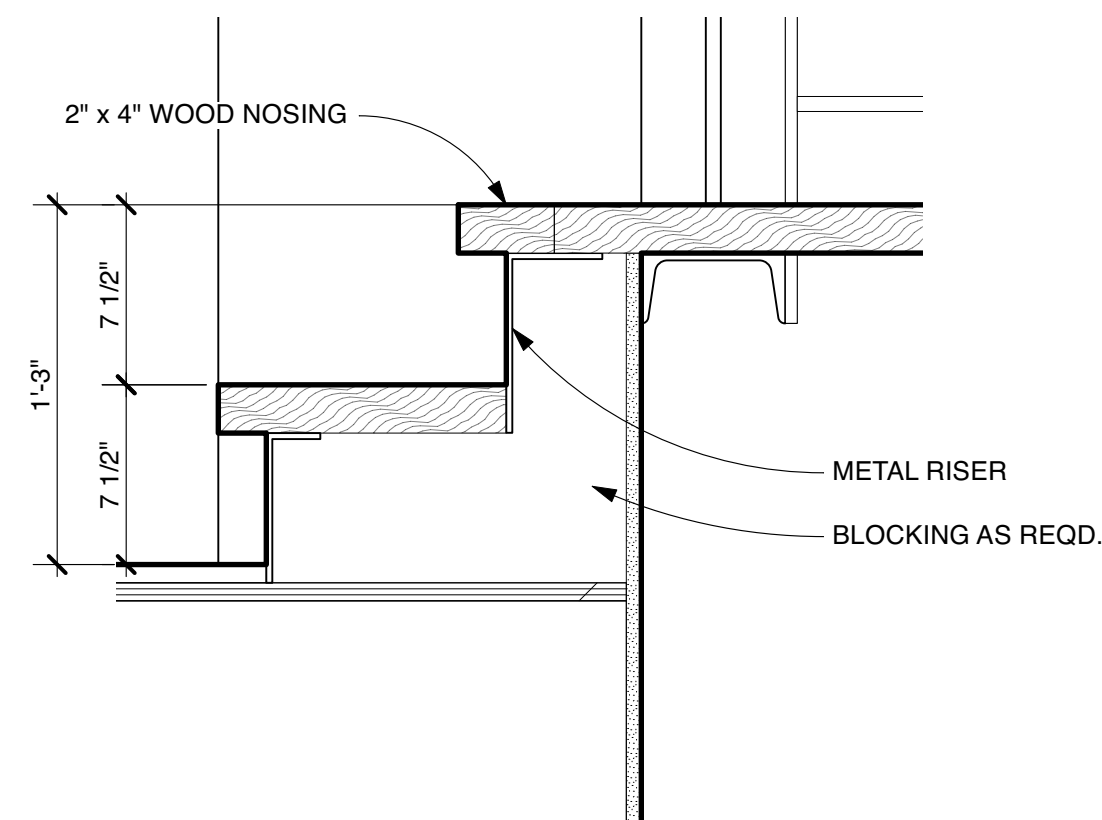
Project No.	Issued For:	Date
Drawn By: NM/EM/FS	Review	
Checked By: GB/MH	Pricing	01.18.22
Scale: AS NOTED	Permit	
	Construction	

Sheet Number

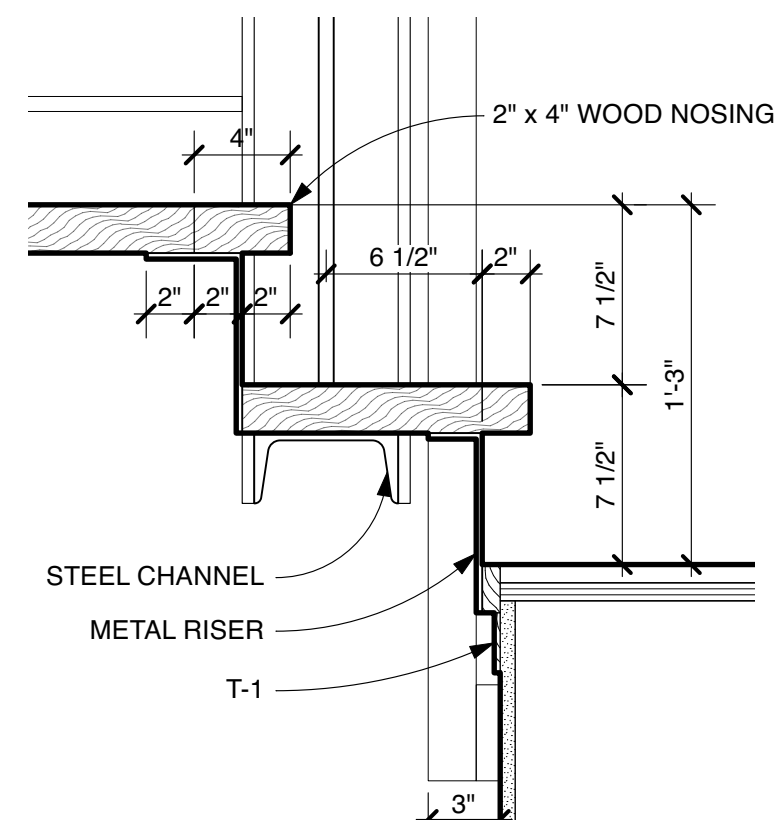
A8.0



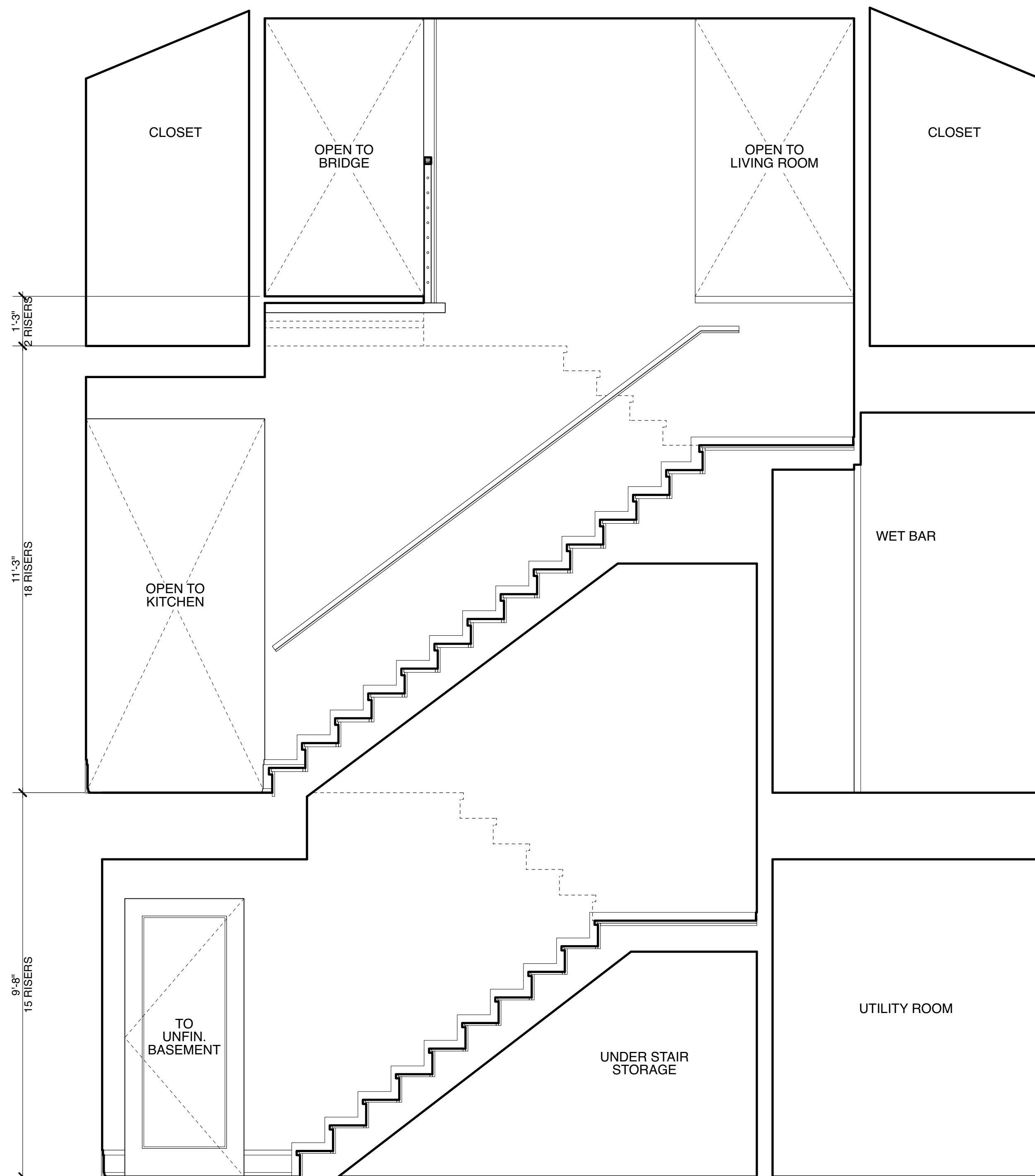
3 CORNER RAILING PLAN DETAIL
Scale: 1 1/2" = 1'-0" WOOD RAIL OMITTED



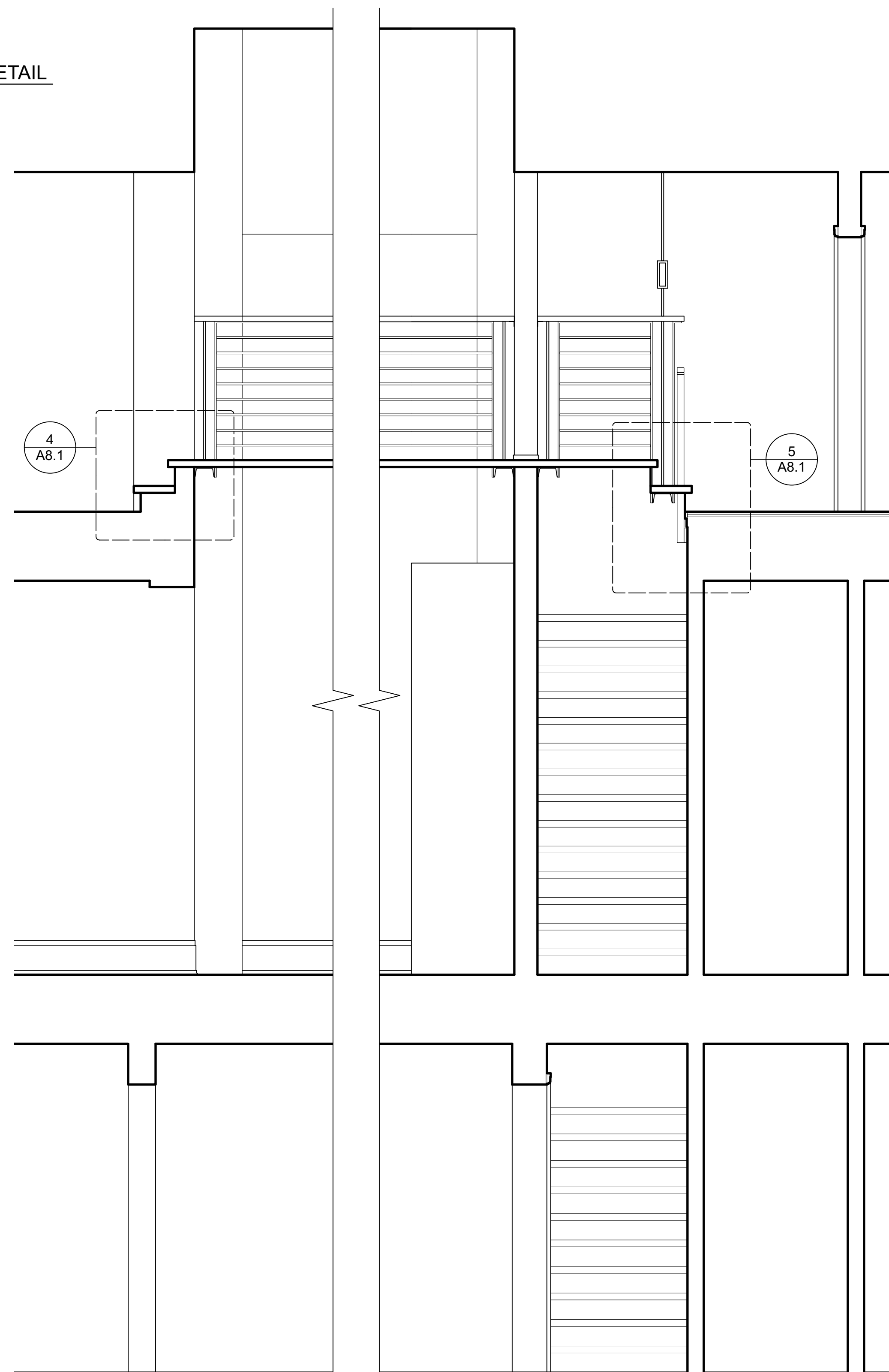
4 EAST BRIDGE STAIR DETAIL
Scale: 1 1/2" = 1'-0"



5 WEST BRIDGE STAIR DETAIL
Scale: 1 1/2" = 1'-0"



1 STAIR SECTION - LOOKING EAST
Scale: 1/2" = 1'-0"



2 STAIR & BRIDGE SECTION - LOOKING SOUTH
Scale: 1/2" = 1'-0"

Grand Island Residence
E. River Road
Grand Island, NY

**NOT FOR CONSTRUCTION
PRICING SET ONLY**

Project Number: 2022-0034

bba ARCHITECTS

1010 SOUTH WABASH
CHICAGO, ILLINOIS 60605
312.663.0222

bbaworld.com

Consultant:

Sheet Title:

Stair Elevations

Project No.	Issued For:	Date
Drawn By: NM/EM/FS	Review	
Checked By: GB/MH	Pricing	01.18.22
Scale: AS NOTED	Review	
	Permit	
	Construction	

Sheet Number

A8.1