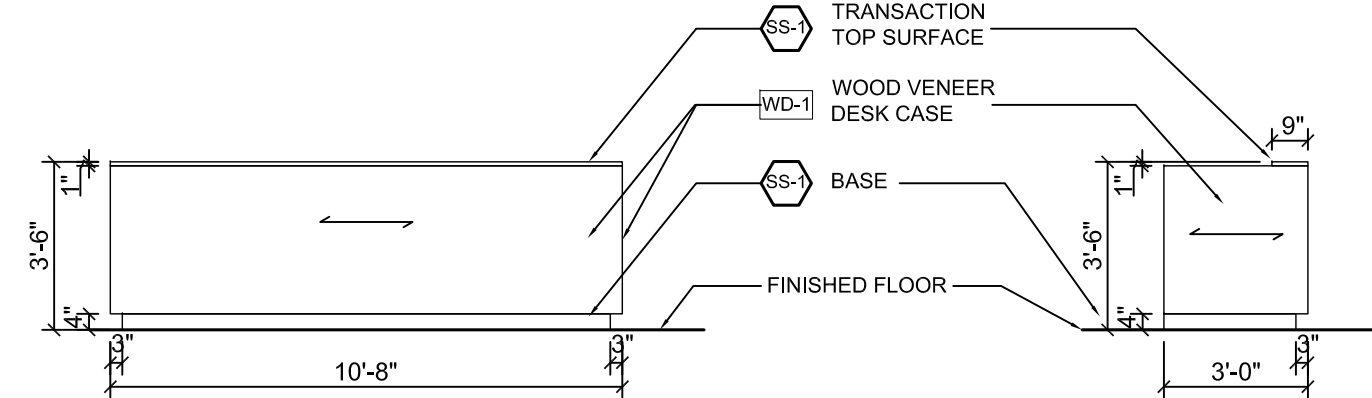
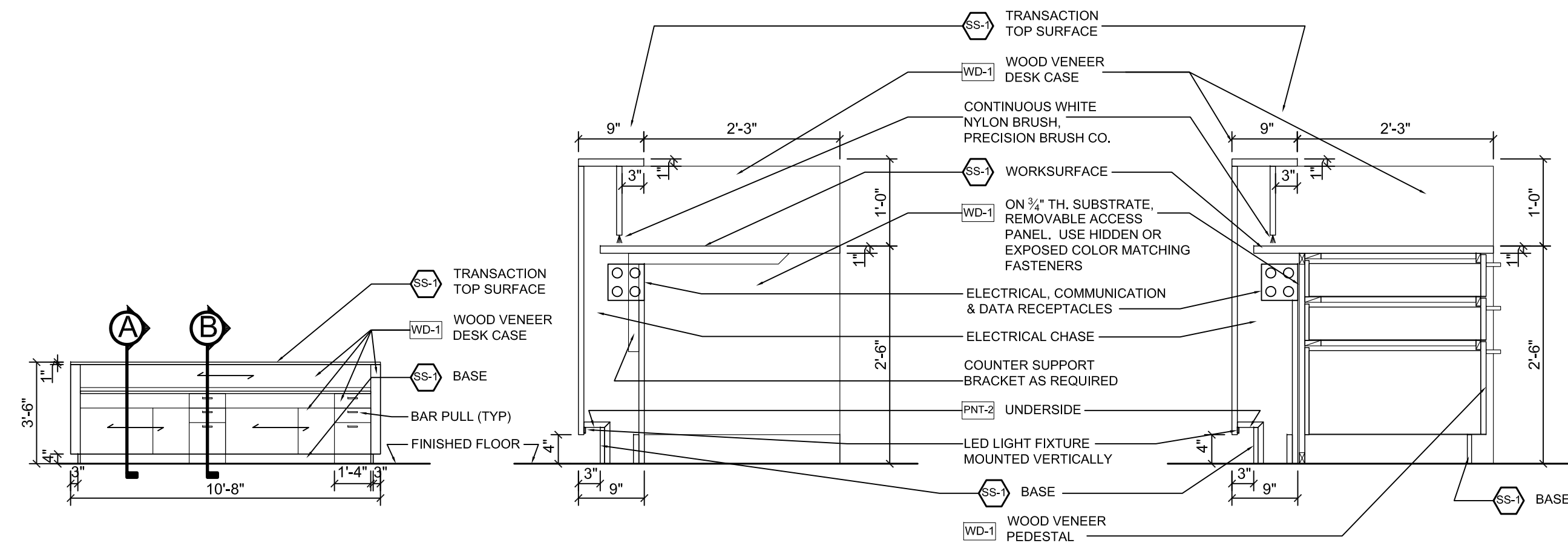


PLAN VIEW: CONCEIRGE
SCALE: 1/8" = 1'-0"



ELEVATION ①
SCALE: 1/4" = 1'-0"

ELEV. MIRROR IMAGE: ②m
ELEV. AS SHOWN: ②
SCALE: 1/4" = 1'-0"

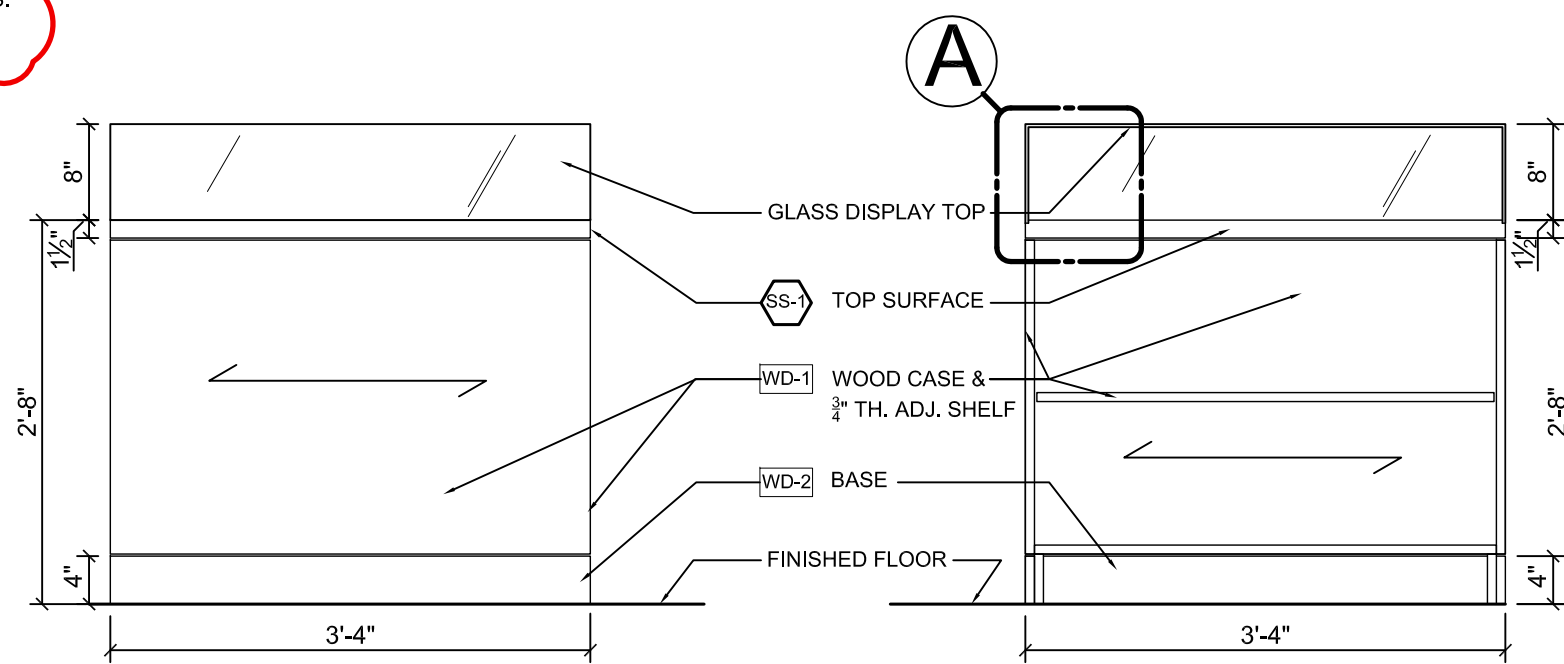


ELEVATION ③
SCALE: 1/4" = 1'-0"

SECTION A
SCALE: 3/4" = 1'-0"

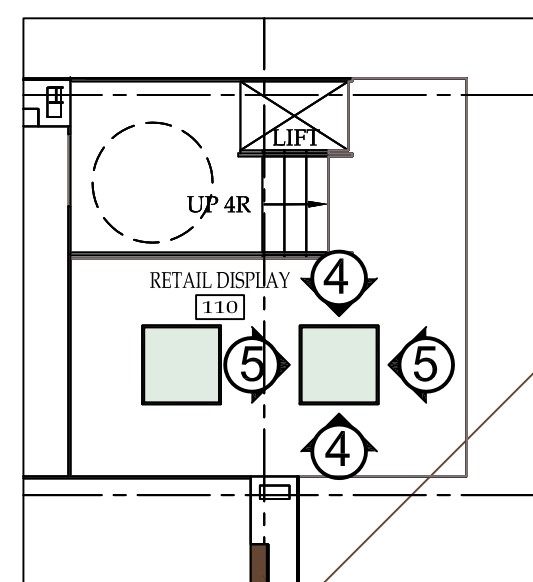
SECTION B
SCALE: 3/4" = 1'-0"

WOOD PANEL NOTES:
1. COORDINATE ALL WOOD PANEL JOINTS FOR CONSISTENT ALIGNMENT BETWEEN ADJACENT & INTERSECTING PANEL SURFACES.
2. CREATE A UNIFORM APPEARANCE WITH CONSISTENT & EQUAL-DISTANT JOINT / SEAM LOCATIONS.

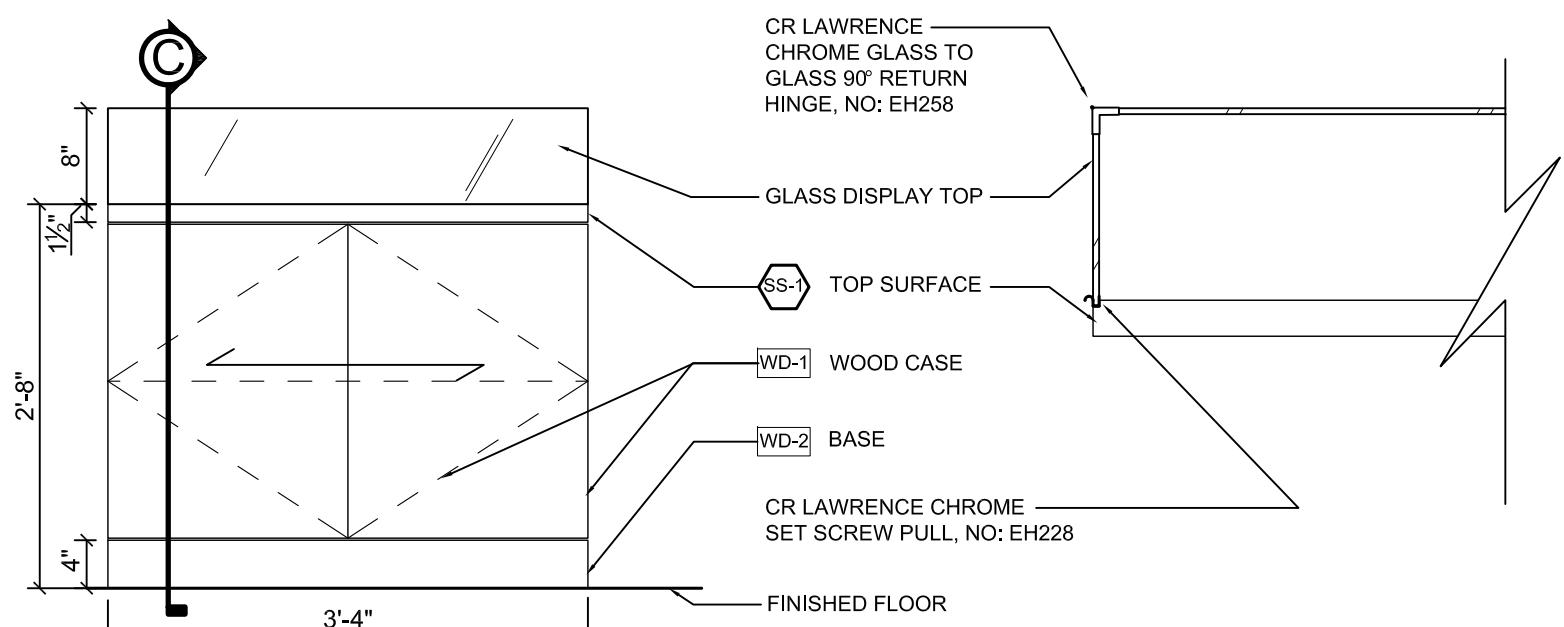


ELEVATION ④
SCALE: 3/4" = 1'-0"

SECTION C
SCALE: 3/4" = 1'-0"

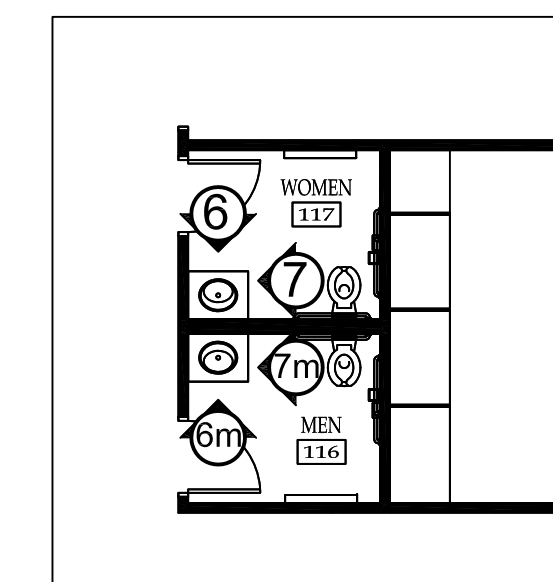


QUANTITY: 2
PLAN: RETAIL DISPLAY
SCALE: 1/8" = 1'-0"

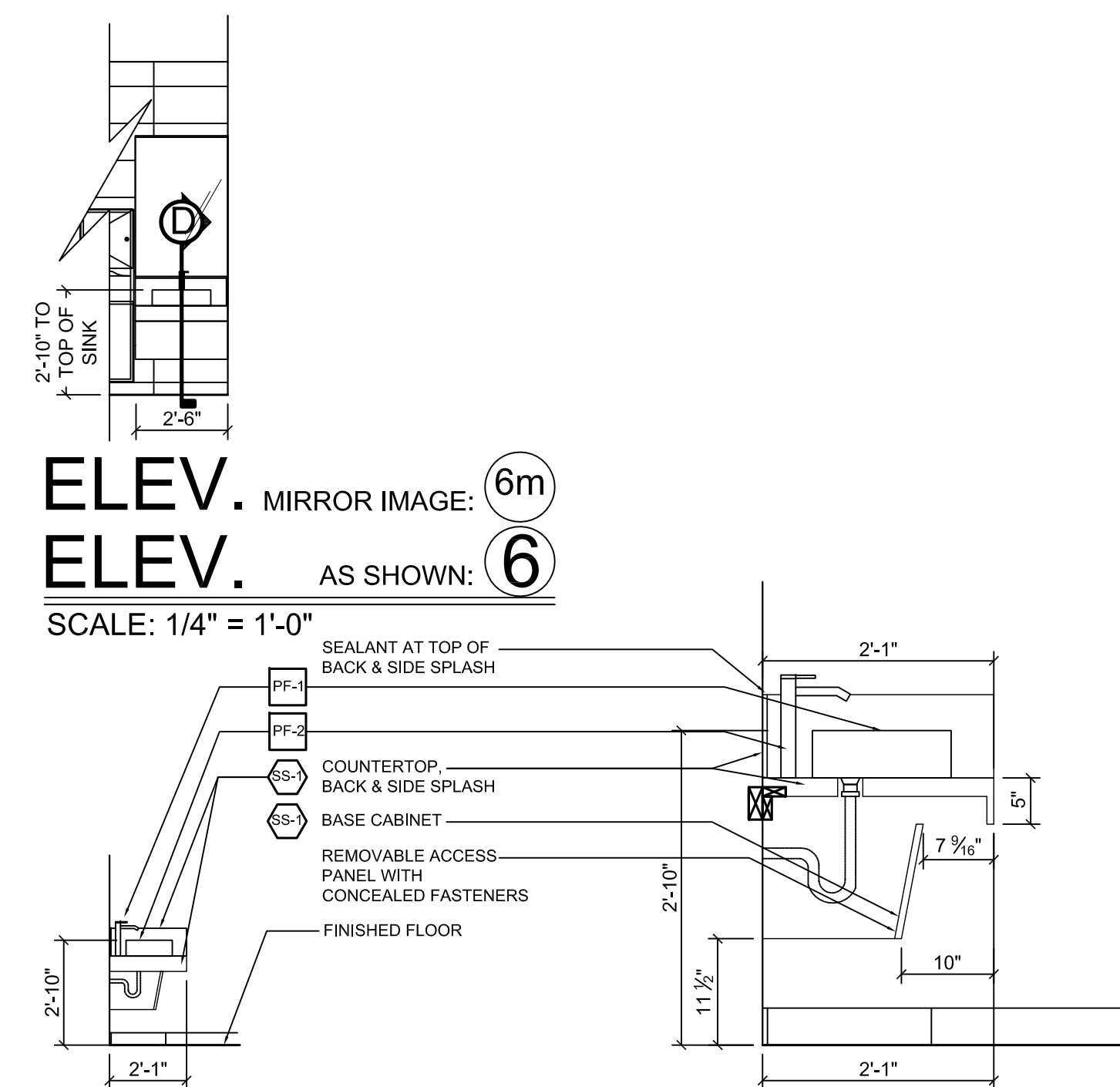


ELEVATION ⑤
SCALE: 3/4" = 1'-0"

DETAIL A
SCALE: 1 1/2" = 1'-0"



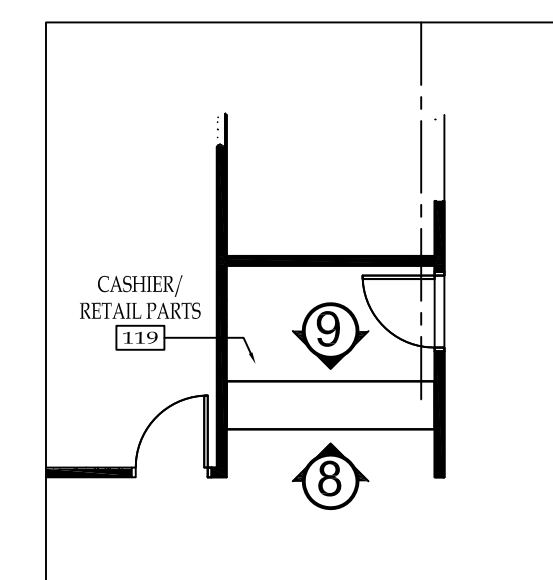
PLAN: RTRMS.
SCALE: 1/4" = 1'-0"



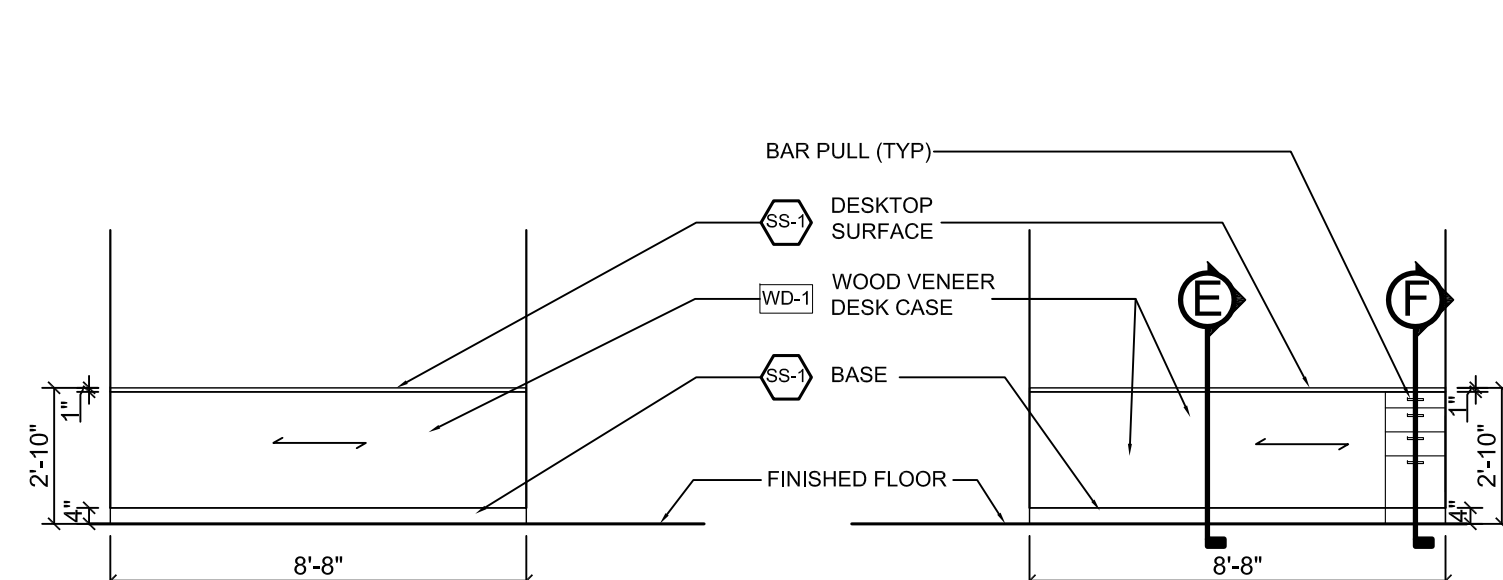
ELEV. MIRROR IMAGE: ⑥m
ELEV. AS SHOWN: ⑥
SCALE: 1/4" = 1'-0"

ELEV. MIRROR IMAGE: ⑦m
ELEV. AS SHOWN: ⑦
SCALE: 1/4" = 1'-0"

SECTION D
SCALE: 3/4" = 1'-0"

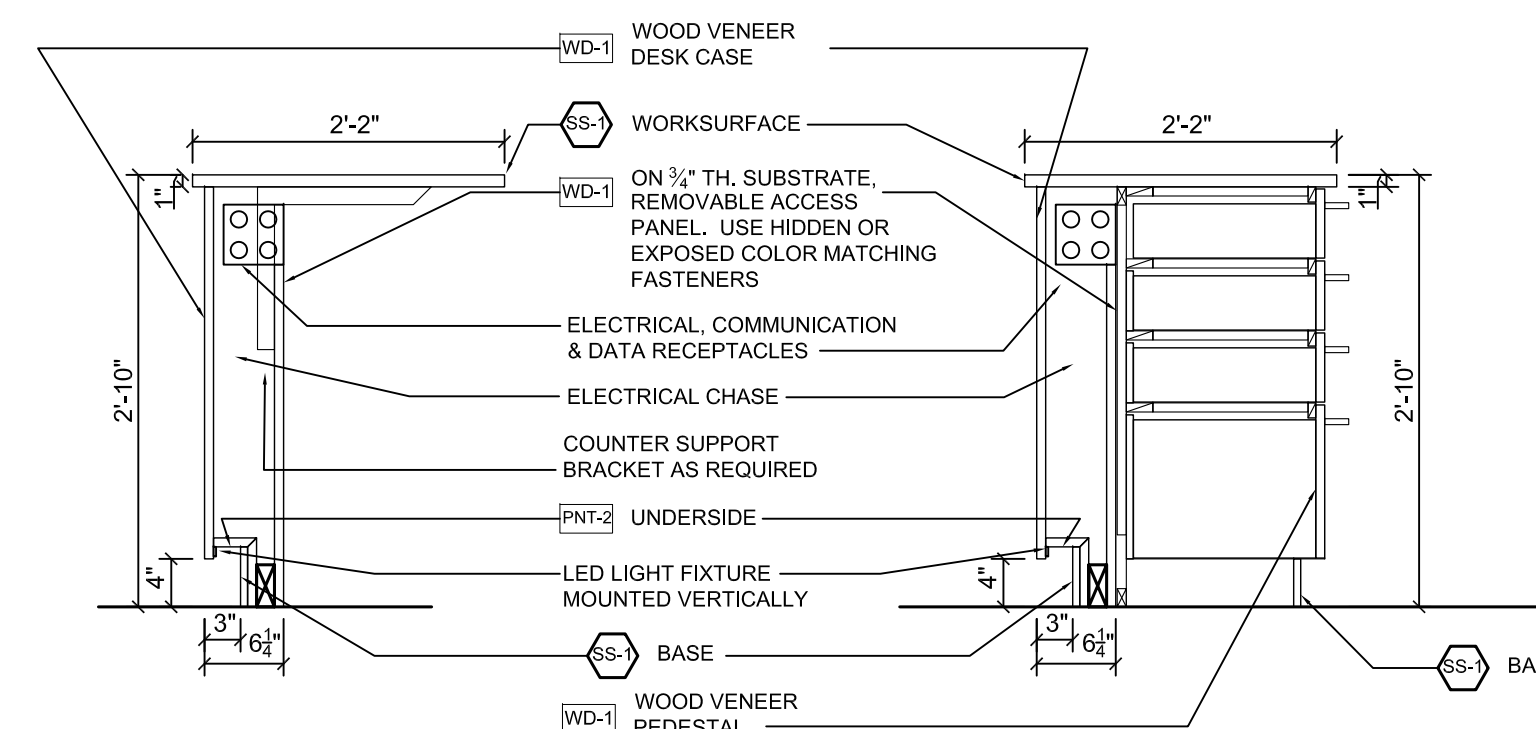


PLAN: CASHIER/RTL PARTS
SCALE: 1/8" = 1'-0"



ELEVATION ⑧
SCALE: 1/4" = 1'-0"

ELEVATION ⑨
SCALE: 1/4" = 1'-0"



SECTION E
SCALE: 3/4" = 1'-0"

SECTION F
SCALE: 3/4" = 1'-0"

WEST HERR Lincoln
2601 Millersport Highway
Amherst, New York 14225
INTERIOR RENOVATIONS

SILVESTRI ARCHITECTS PC
1321 MILLERSPORT HIGHWAY
AMHERST, NEW YORK 14221
PHONE: (716) 691-0900

ARCHITECT OF RECORD

STEPHAN DESIGN
ASSOCIATES INC
Commercial Interior Design
1092 Center Street
East Aurora, N.Y. 14052
P 716.652.1779 C 716.523.7072
E stephandesign7@hotmail.com

APRIL 27, 2021

DRAWING REVISION DATES

ID-5
MILLWORK DETAILS
BID & PERMIT SET

DRAWN BY: LTS
SCALE: AS NOTED
DATE: APRIL 15, 2021