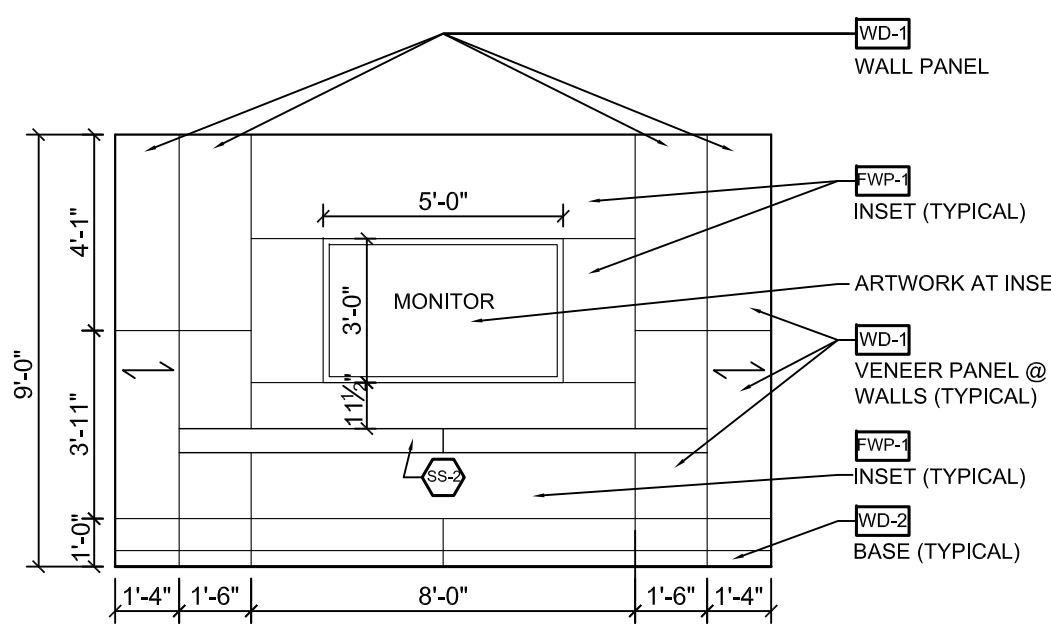
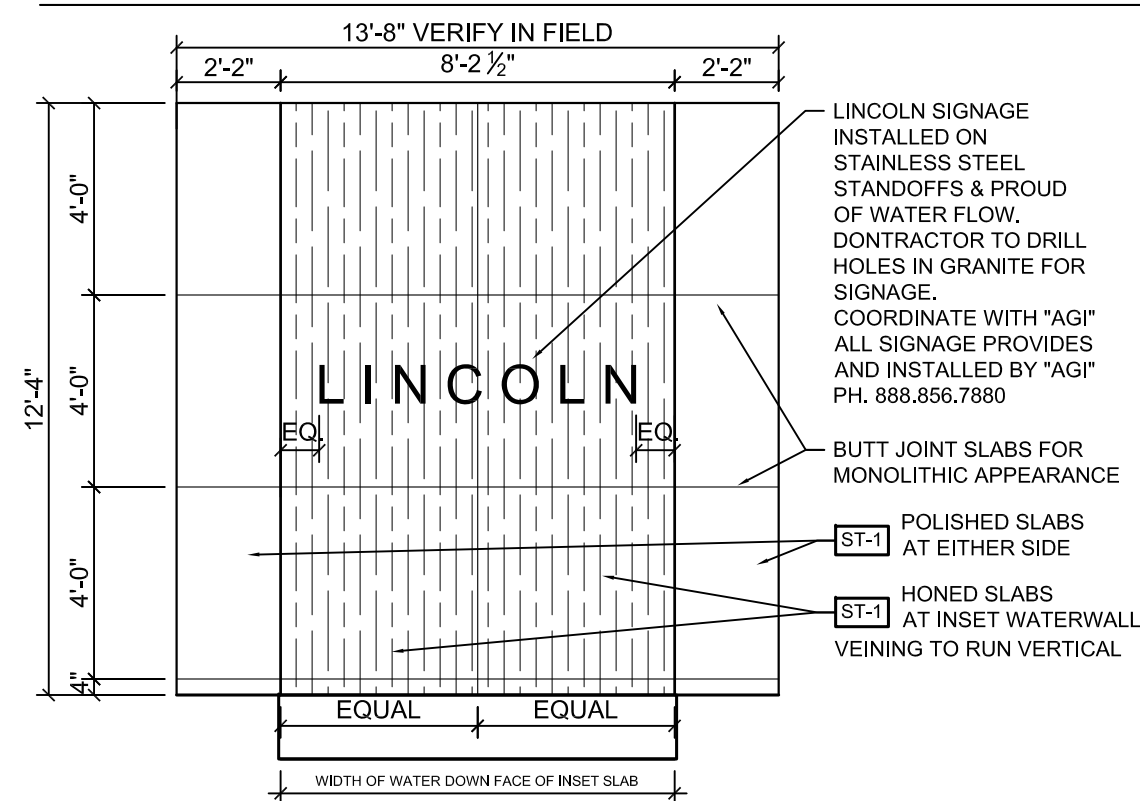


ELEVATION DELIVERY AREA
SCALE: 1/4" = 1'-0"

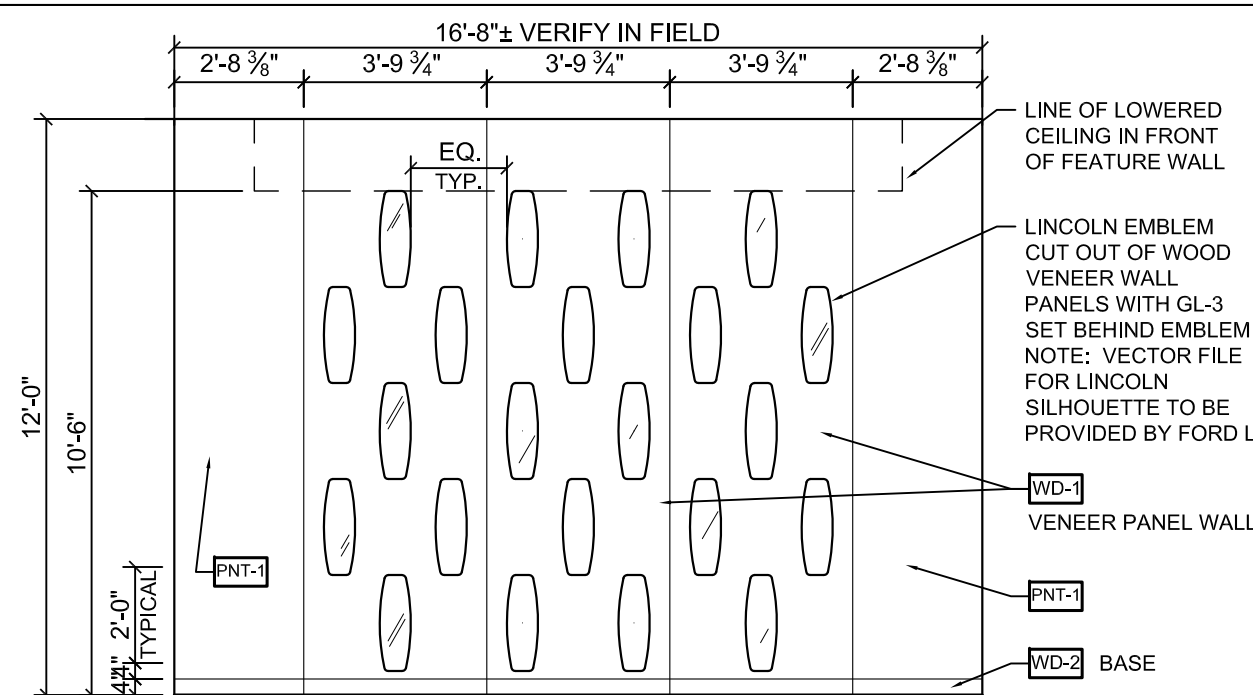


ELEVATION DELIVERY SUITE 108
SCALE: 1/4" = 1'-0"

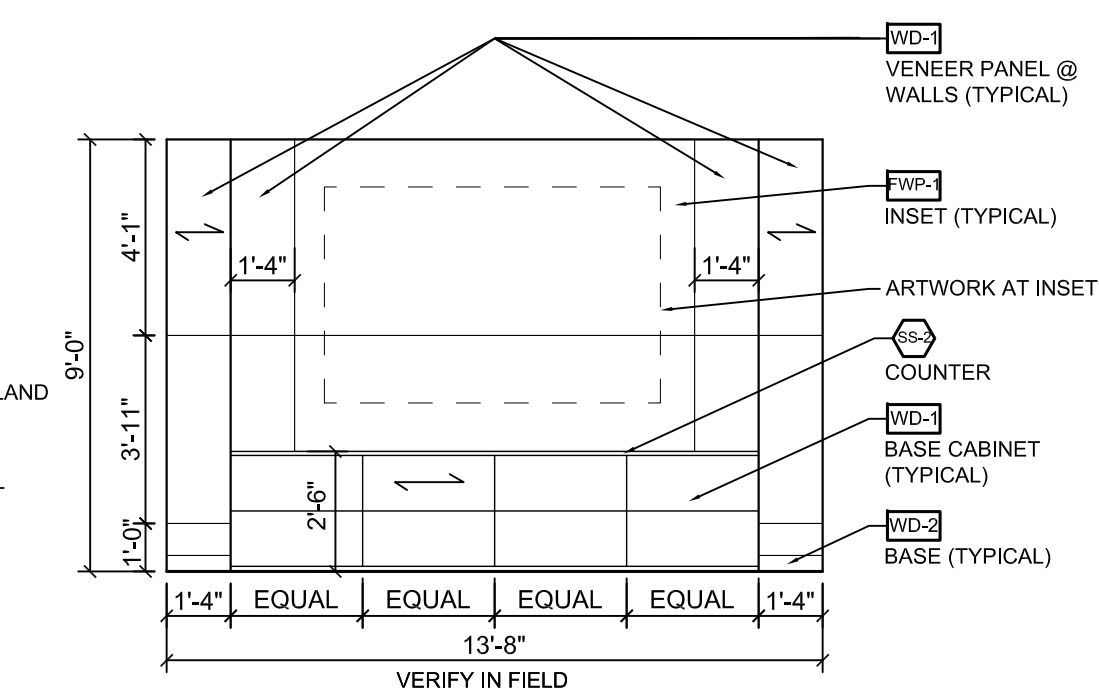
DELIVERY SUITE 108 & AREA



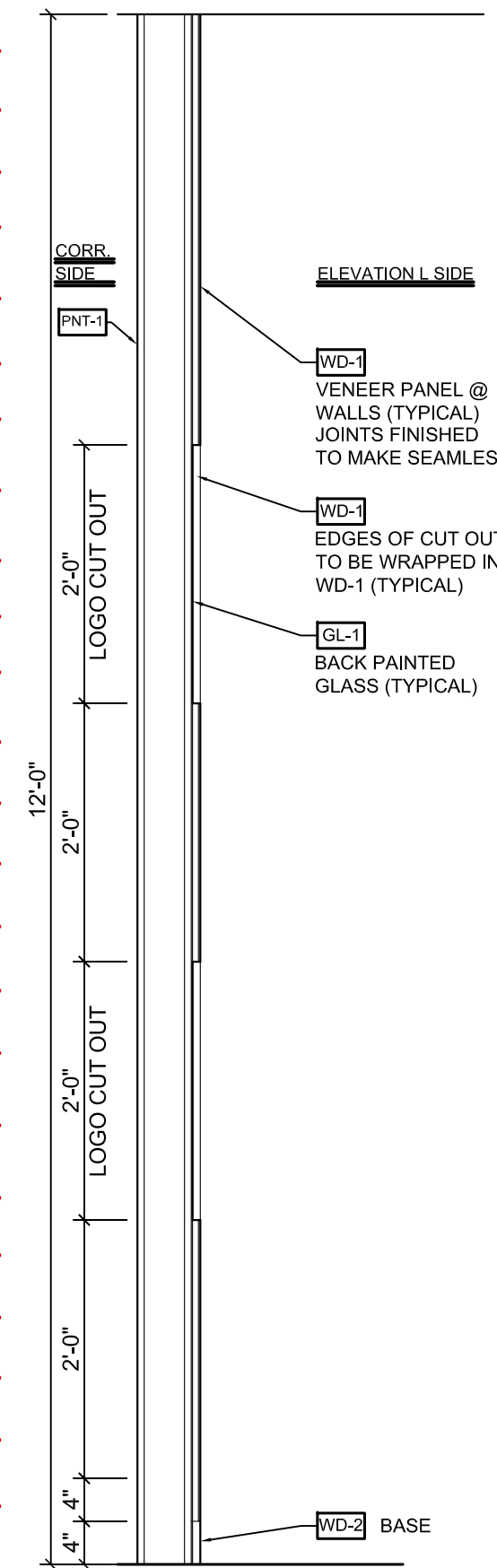
ELEVATION FEATURE WALL
SCALE: 1/4" = 1'-0"



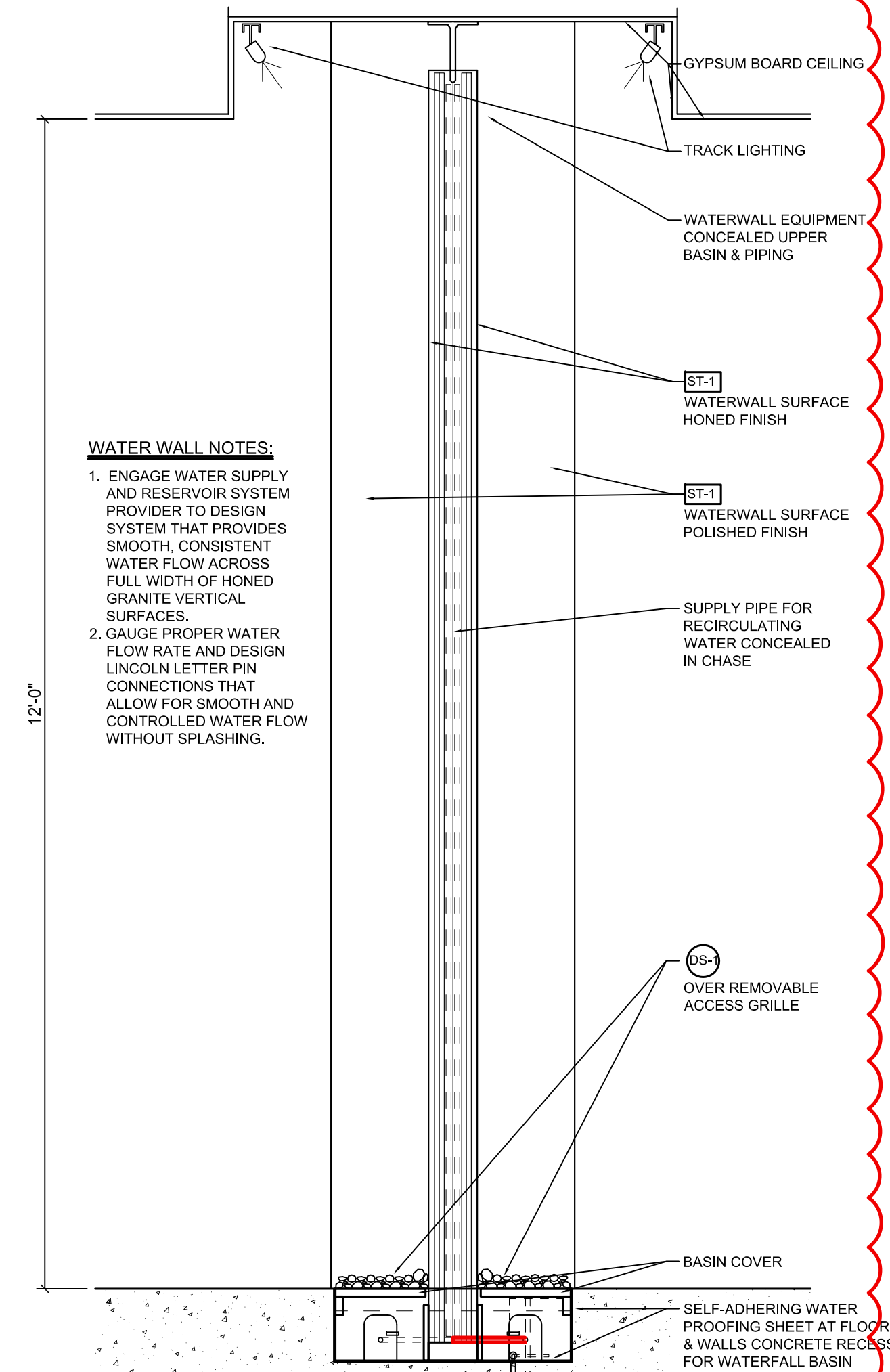
ELEVATION BAR FEATURE WALL
SCALE: 1/4" = 1'-0"



ELEVATION SERV. MANAGER 125 & CRAFTSMAN 126 & 127
SCALE: 1/4" = 1'-0"

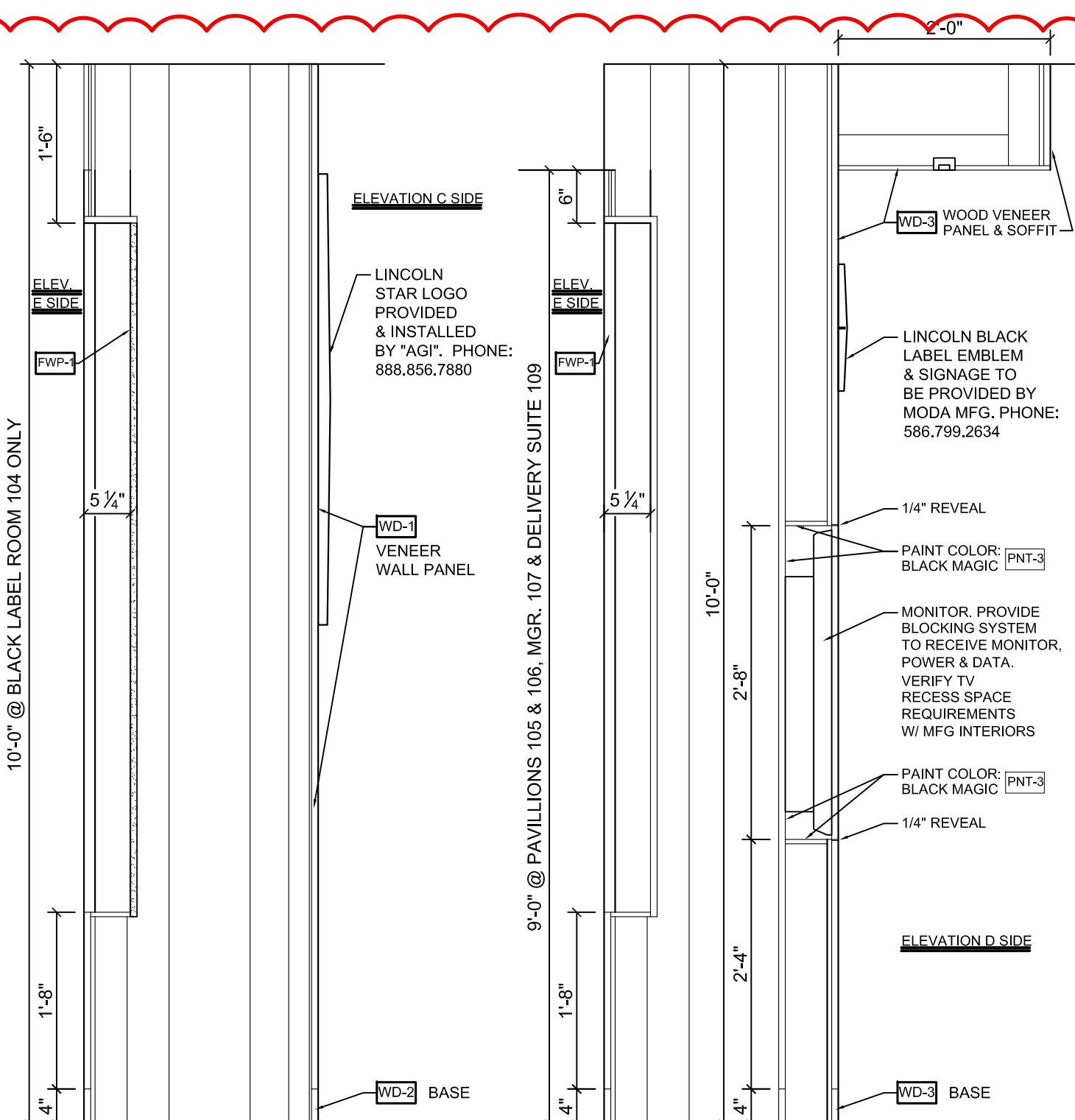


SECTION 9
SCALE: 3/4" = 1'-0"



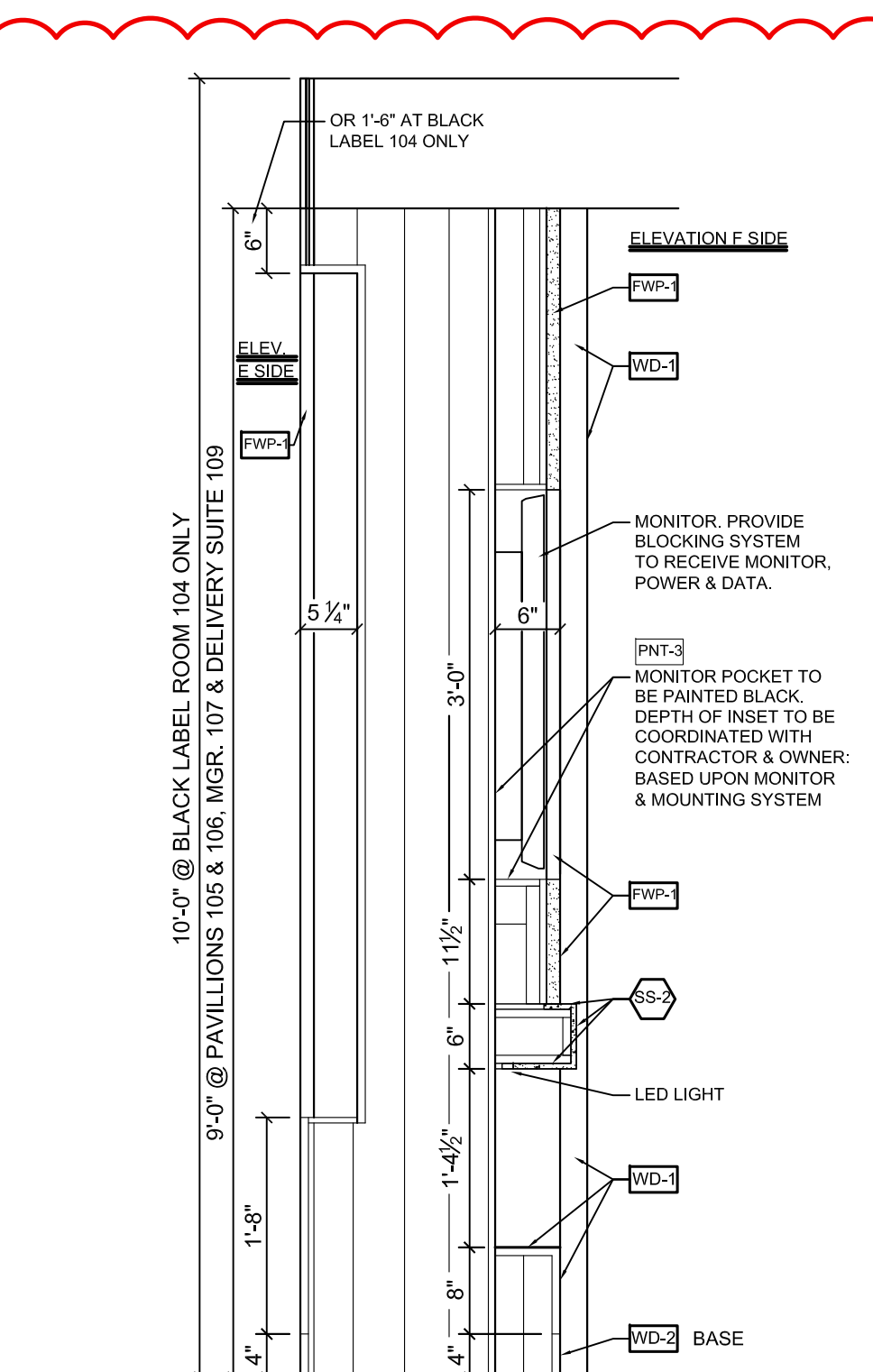
SECTION 10
SCALE: 3/4" = 1'-0"

INT. MILLWORK WALL SECT'S Continued

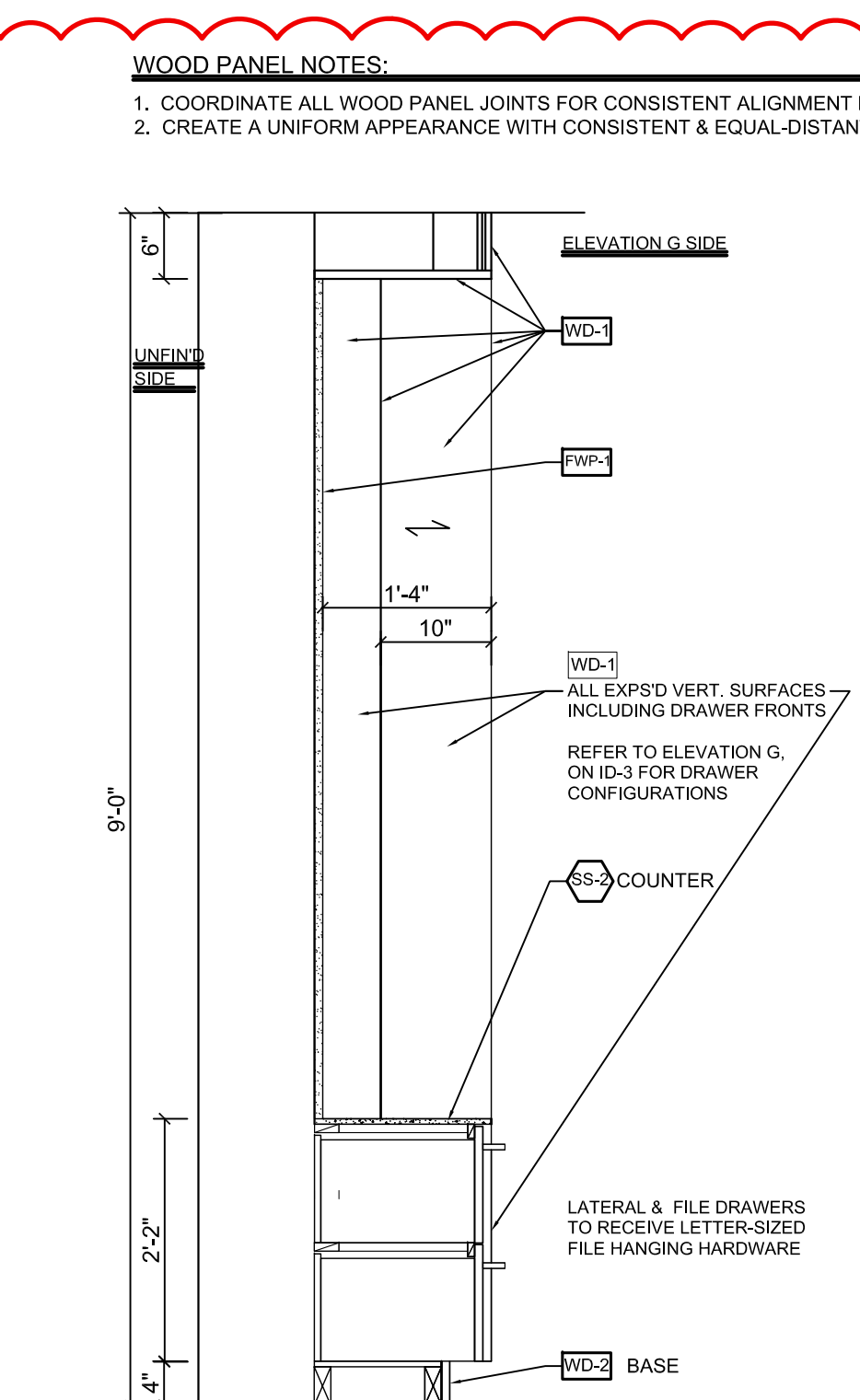


SECTION 1
SCALE: 3/4" = 1'-0"

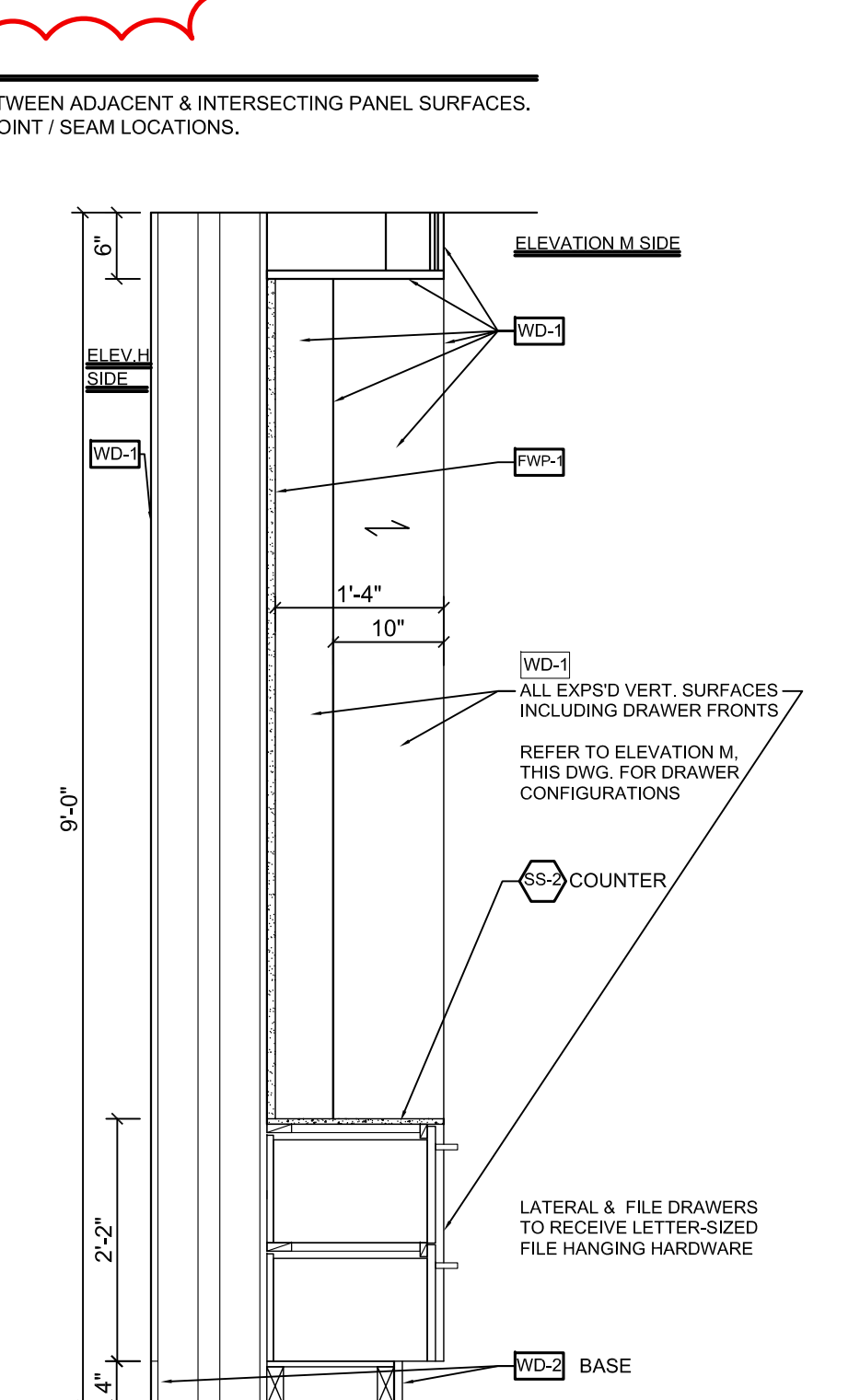
SECTION 2
SCALE: 3/4" = 1'-0"



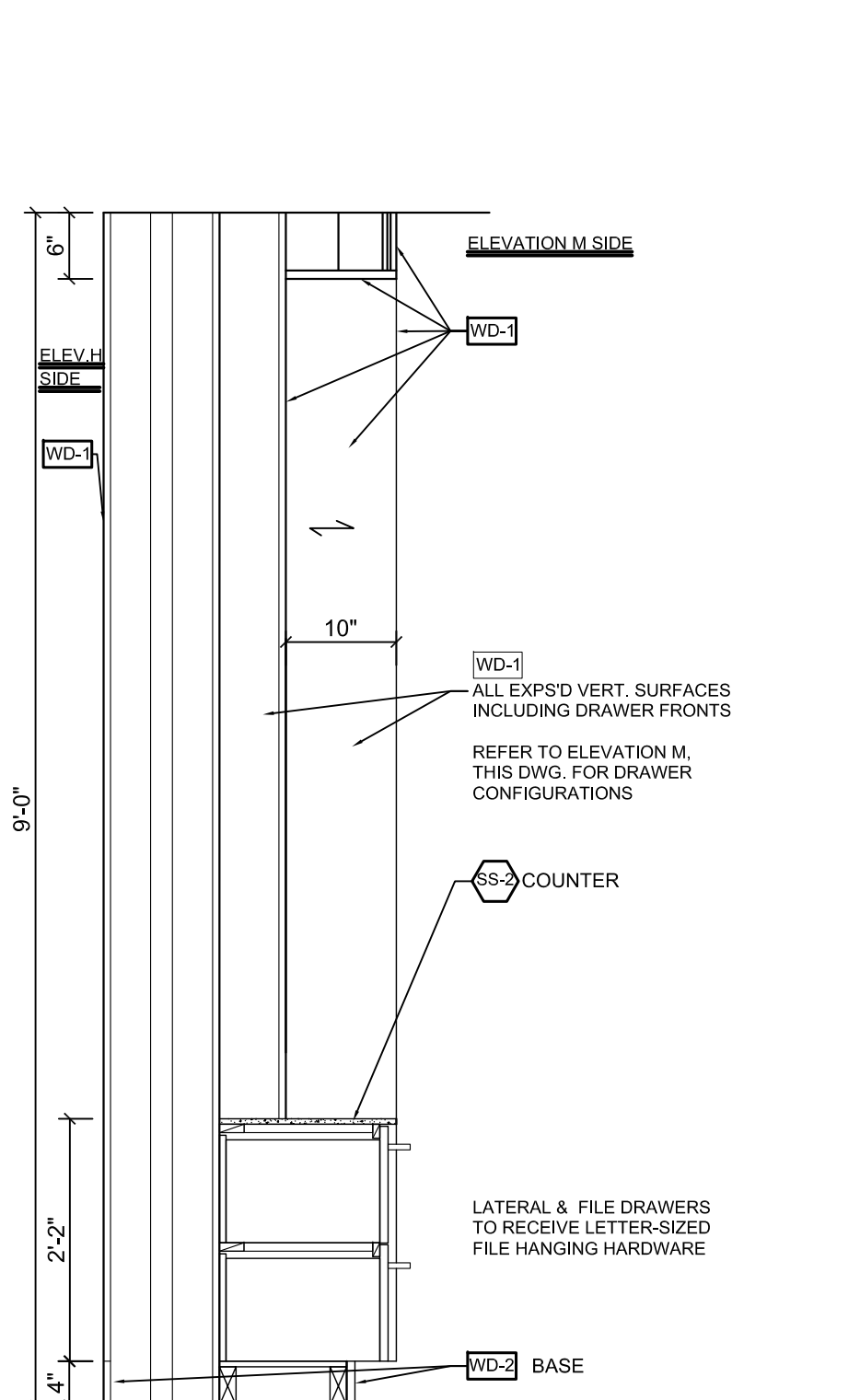
SECTION 3
SCALE: 3/4" = 1'-0"



SECTION 4
SCALE: 3/4" = 1'-0"

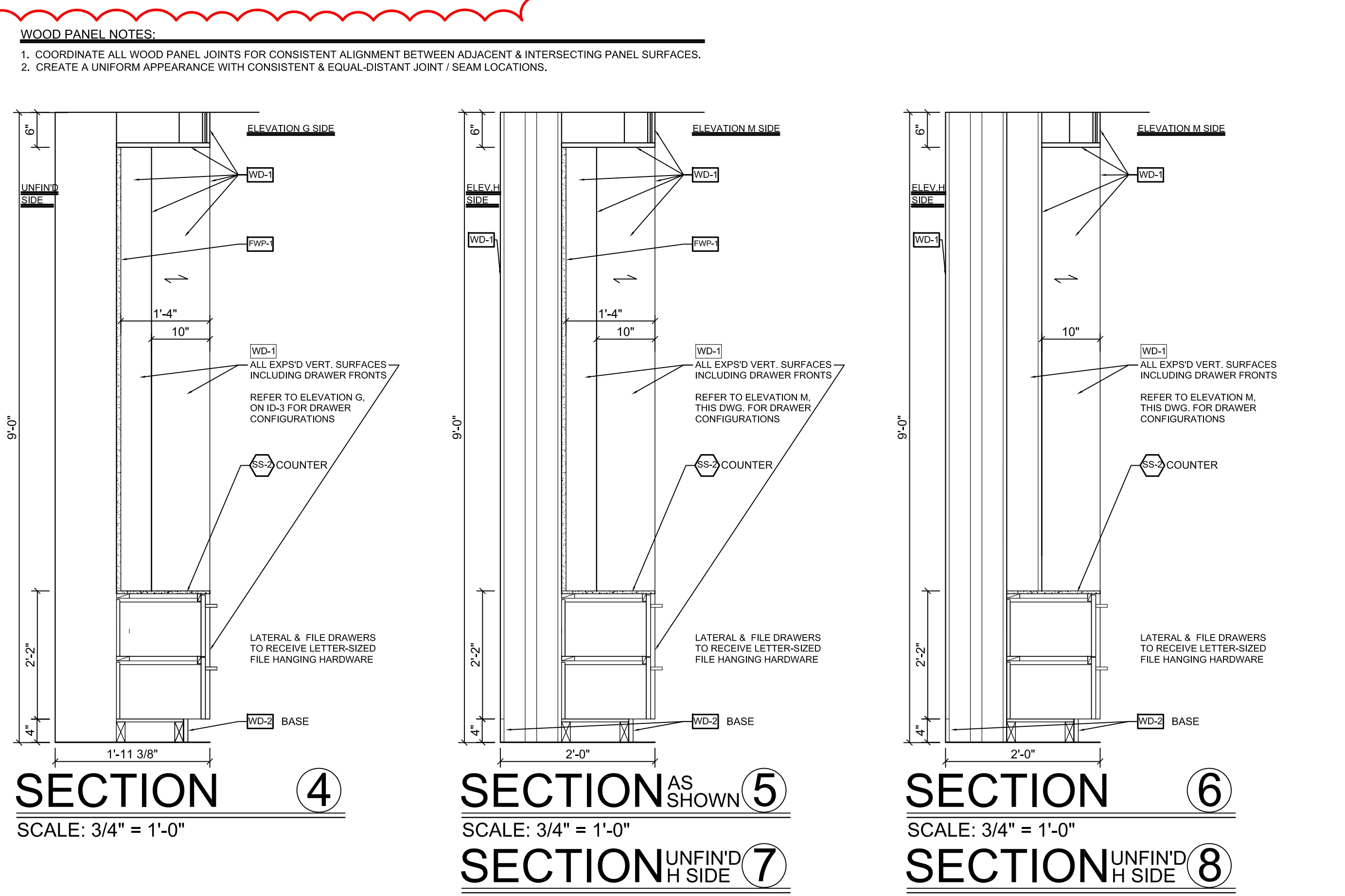


SECTION 5
SCALE: 3/4" = 1'-0"



SECTION 6
SCALE: 3/4" = 1'-0"

INTERIOR MILLWORK WALL SECTIONS



SECTION 7
SCALE: 3/4" = 1'-0"



SECTION 8
SCALE: 3/4" = 1'-0"

WEST HERR Lincoln
2601 Millersport Highway
Amherst, New York 14225
INTERIOR RENOVATIONS

SILVESTRI ARCHITECTS PC
1321 MILLERSPORT HIGHWAY
AMHERST, NEW YORK 14221
PHONE: (716) 691-0900

ARCHITECT OF RECORD

STEPHAN DESIGN
ASSOCIATES INC
Commercial Interior Design
1092 Center Street
East Aurora, N.Y. 14052
P 716.652.1779 C 716.652.3702
E stephandesign7@hotmail.com

APRIL 27, 2021

DRAWING REVISION DATES

ID-4
INTERIOR ELEVATIONS/DTLS
BID & PERMIT SET

DRAWN BY: LTS
SCALE: AS NOTED
DATE: APRIL 15, 2021