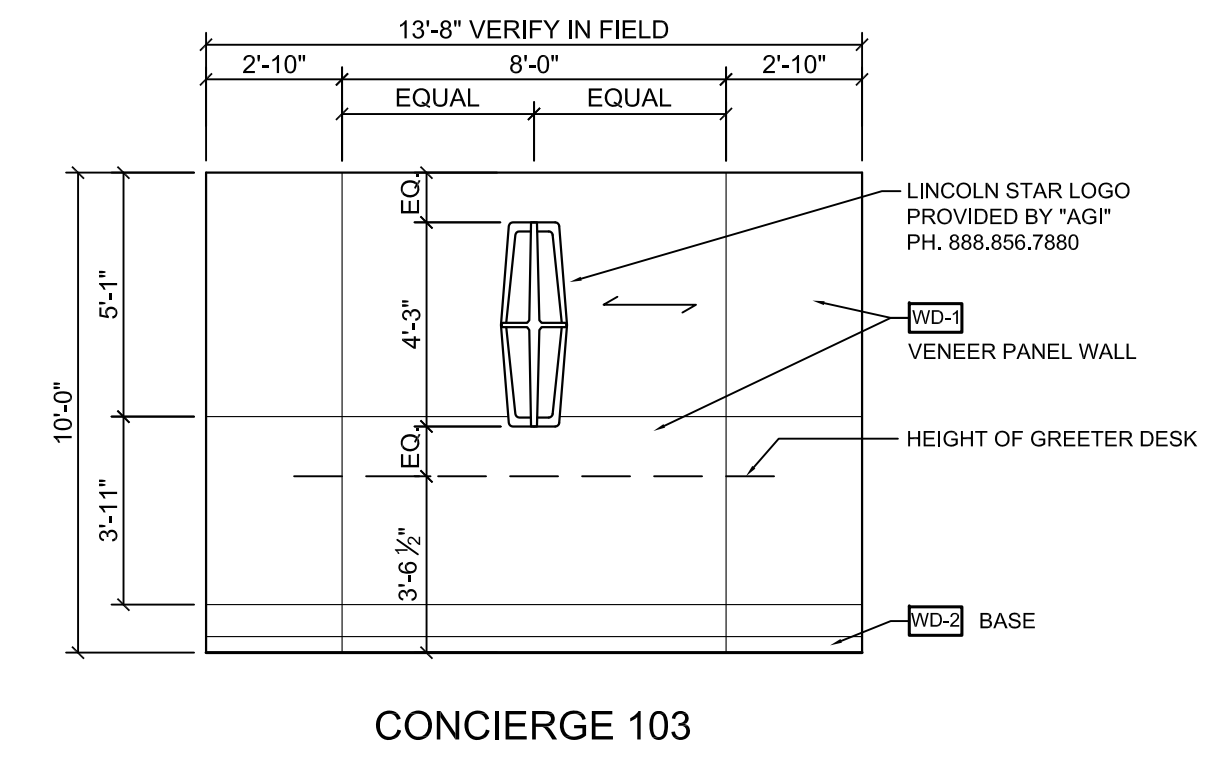


ELEVATION

SCALE: 1/4" = 1'-0"

RUNWAY MANAGER 107- VESTIBULE 101

(A)

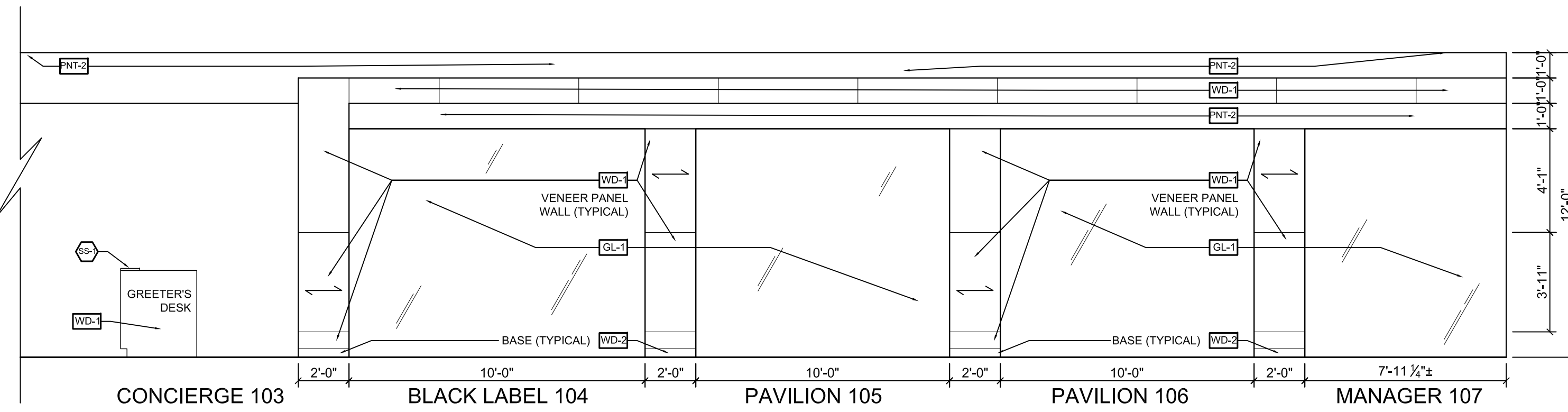


ELEVATION

SCALE: 1/4" = 1'-0"

CONCIERGE 103

(C)

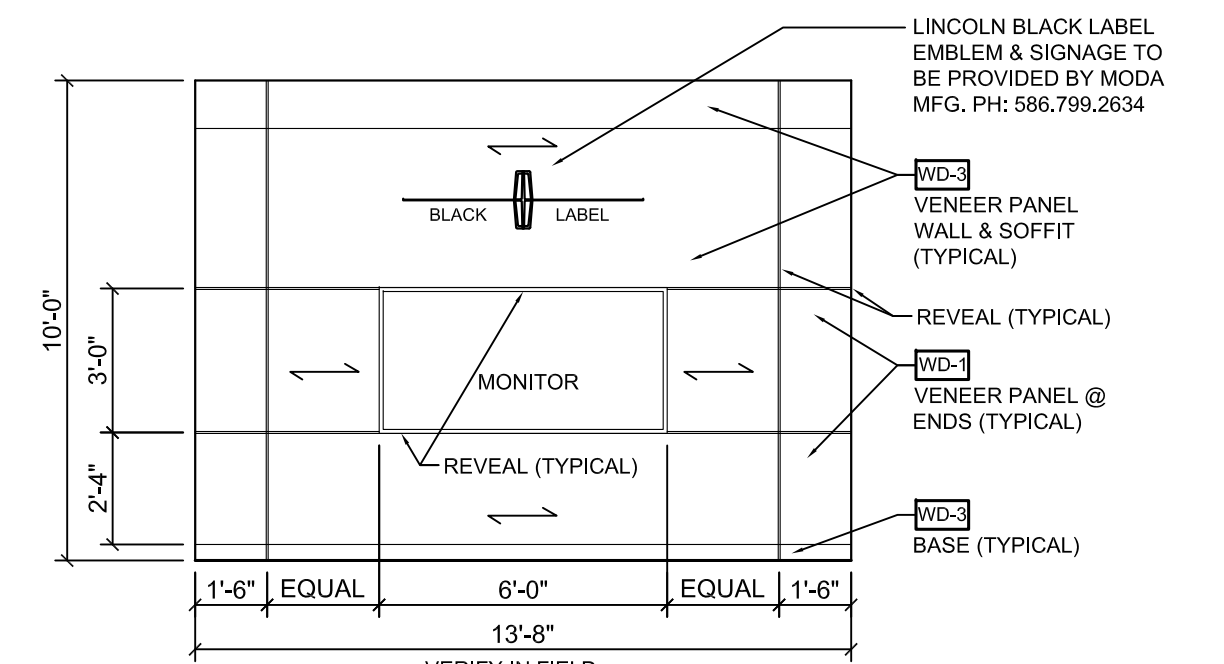


ELEVATION

SCALE: 1/4" = 1'-0"

RUNWAY CONCIERGE 103 - MANAGER 107

(B)



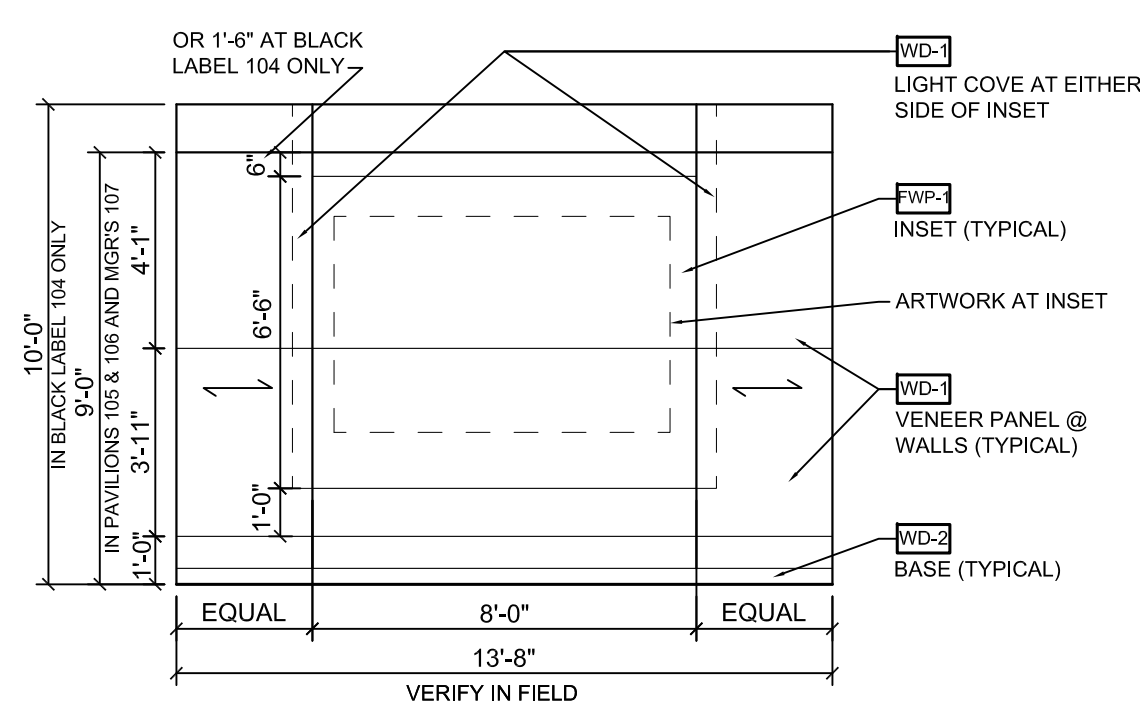
ELEVATION

SCALE: 1/4" = 1'-0"

BLACK LABEL 104

(D)

WOOD PANEL NOTES:
 1. COORDINATE ALL WOOD PANEL JOINTS FOR CONSISTENT ALIGNMENT BETWEEN ADJACENT & INTERSECTING PANEL SURFACES.
 2. CREATE A UNIFORM APPEARANCE WITH CONSISTENT & EQUAL-DISTANT JOINT / SEAM LOCATIONS.

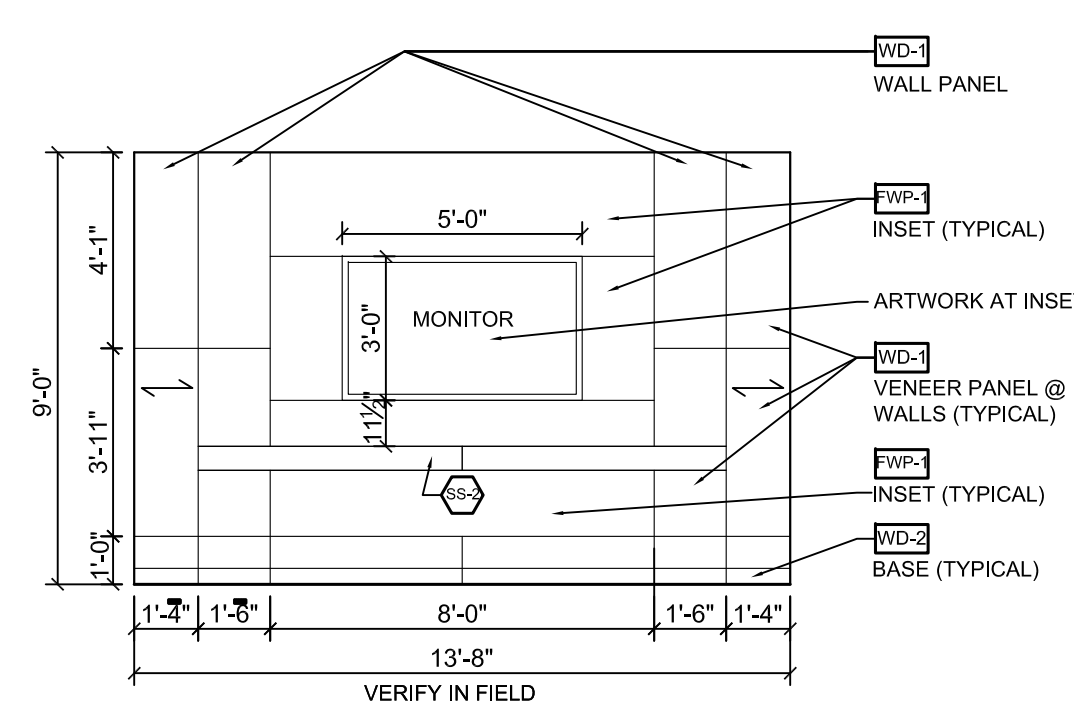


ELEVATION BLACK LABEL 104, PAVILIONS 105 & 106, MGR. 107 & DEL. SUITE 109

SCALE: 1/4" = 1'-0"

BLACK LABEL 104, PAVILION 105 & 106 AND MANAGER 107

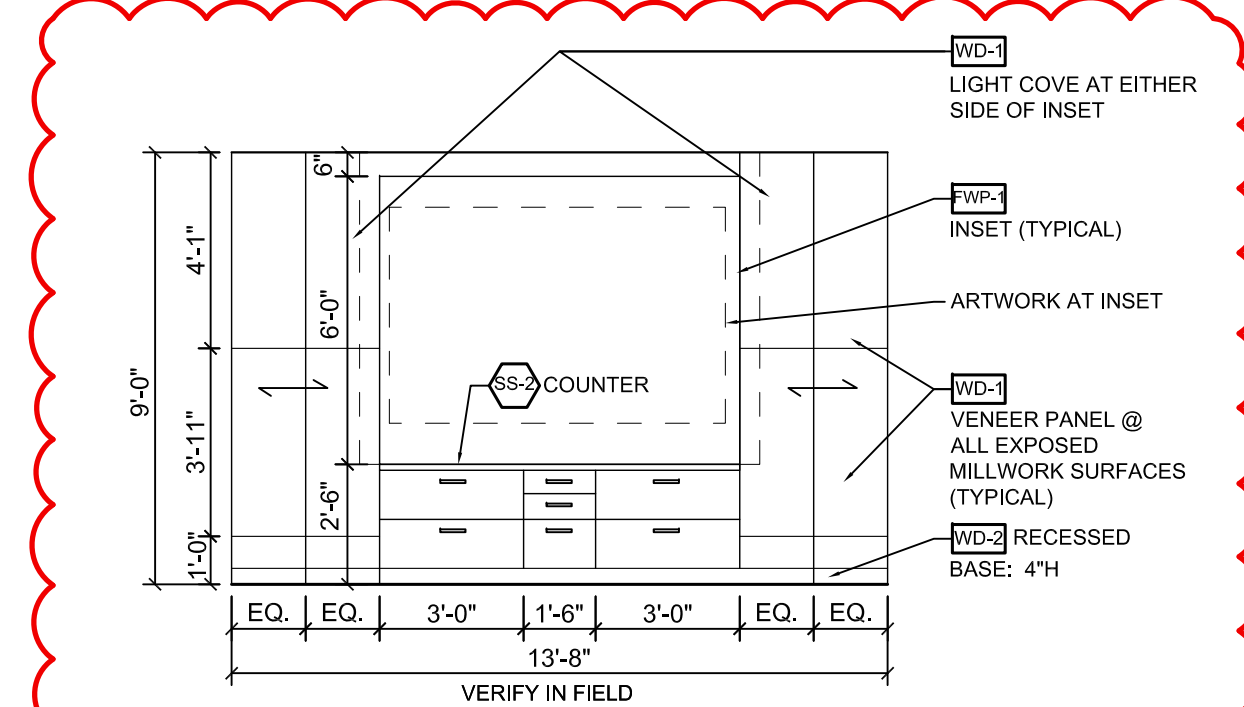
(E)



ELEVATION PAVILION 105 & 106

SCALE: 1/4" = 1'-0"

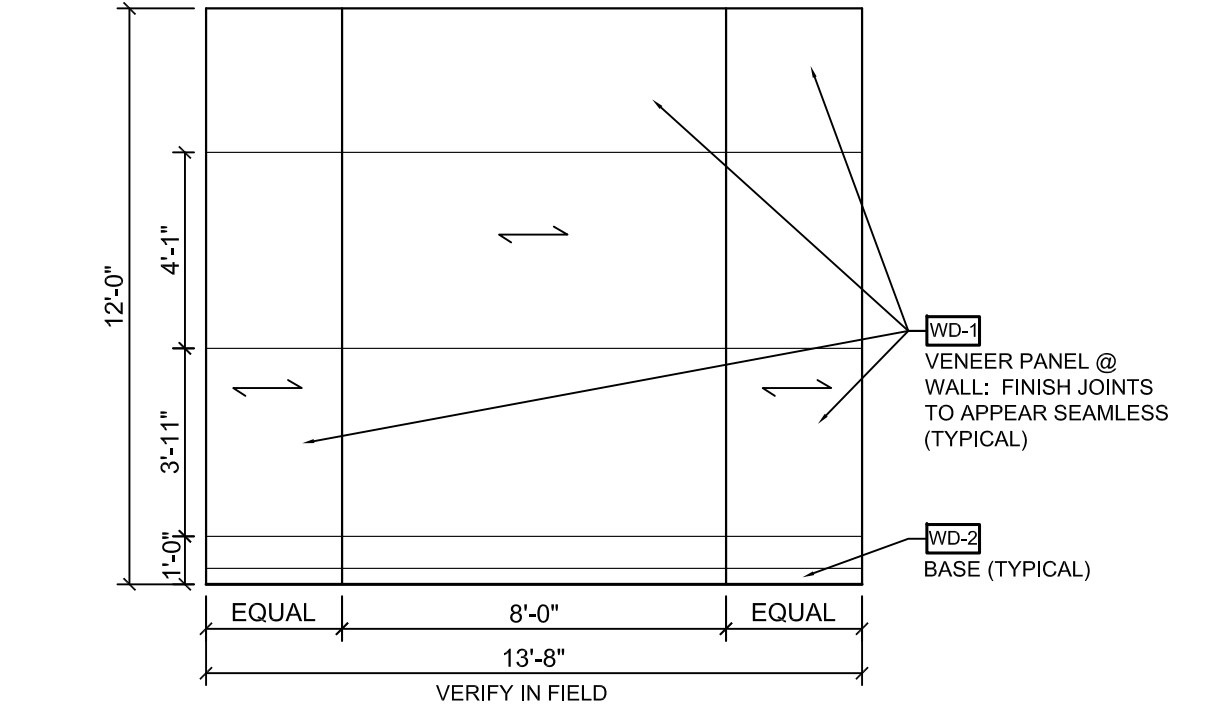
(F)



ELEVATION MANAGER 107

SCALE: 1/4" = 1'-0"

(G)



ELEVATION

SCALE: 1/4" = 1'-0"

BACK SIDE 109, 125-127

(H)

WEST HERR Lincoln
 2601 Millersport Highway
 Amherst, New York 14225
 INTERIOR RENOVATIONS

SILVESTRI ARCHITECTS PC
 1321 MILLERSPORT HIGHWAY
 AMHERST, NEW YORK 14221
 PHONE: (716) 691-0900

ARCHITECT OF RECORD

STEPHAN DESIGN
 ASSOCIATES INC
 Commercial Interior Design
 1092 Center Street
 East Aurora, N.Y. 14052
 P 716.652.1779 C 716.652.7072
 E stephandesign7@hotmail.com

APRIL 27, 2021

DRAWING REVISION DATES

ID-3
 INTERIOR ELEVATIONS/DTLS
 BID & PERMIT SET

DRAWN BY: LTS
 SCALE: AS NOTED
 DATE: APRIL 15, 2021