

ADDENDUM #2

Issue Date: Tuesday, April 23, 2019

Project Name: 1845 Westminster Presbyterian Church: Roofing: Repair and Reroofing

All provisions of the Specifications and Drawings remain in effect except as revised by this ADDENDUM. This Addendum contains changes to the requirements of the Bidding Documents, Specifications and Drawings issued to date. Such changes are to be incorporated into the Construction Documents and shall apply to the Work with the same meaning and force as if they had been included in the original documents. Wherever this Addendum modifies a portion of a paragraph of the Project Manual, or any portion of any Drawings, the remainder of the paragraph or drawing shall remain in force.

PROJECT MANUAL ITEMS

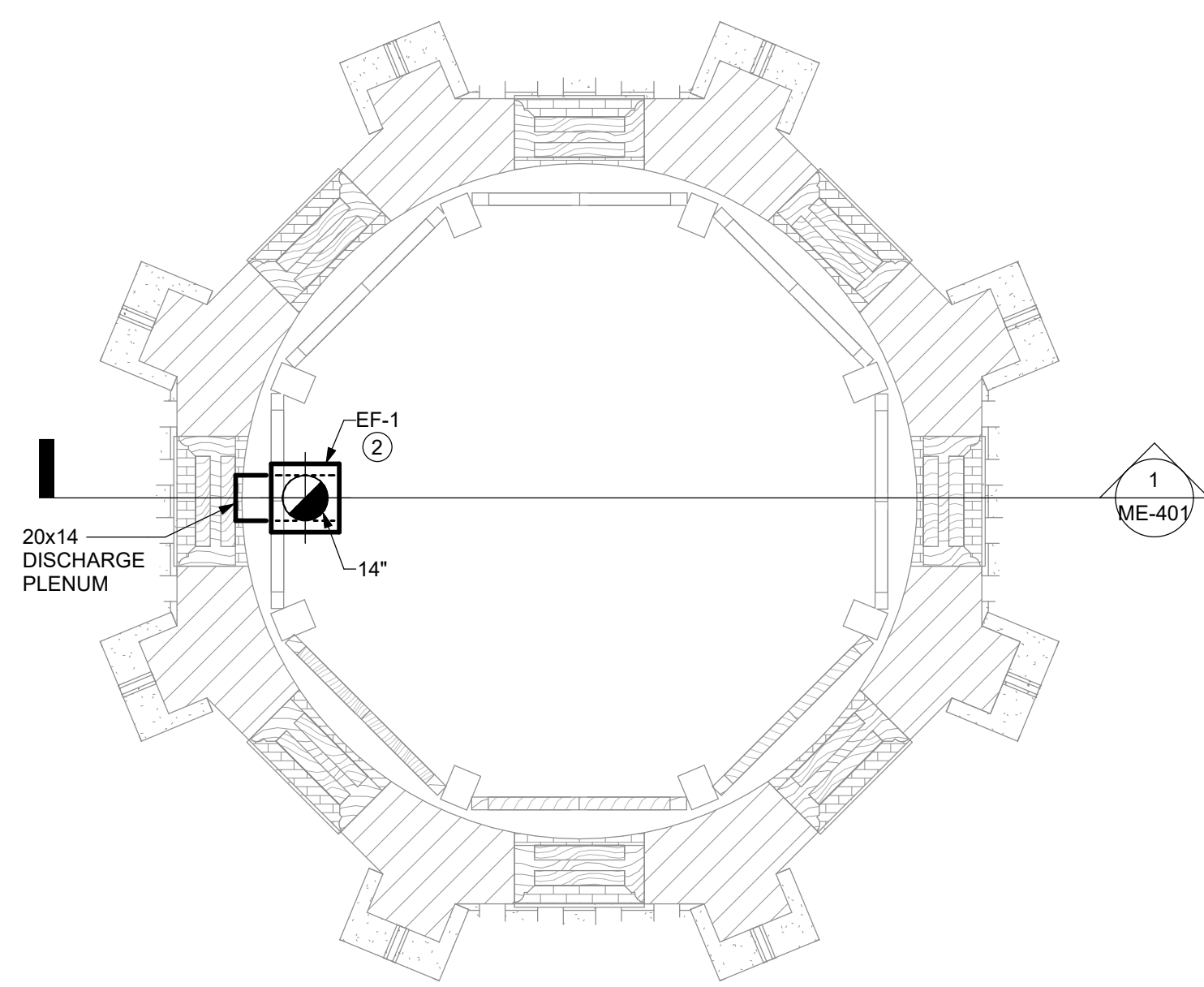
None.

DRAWING ITEMS

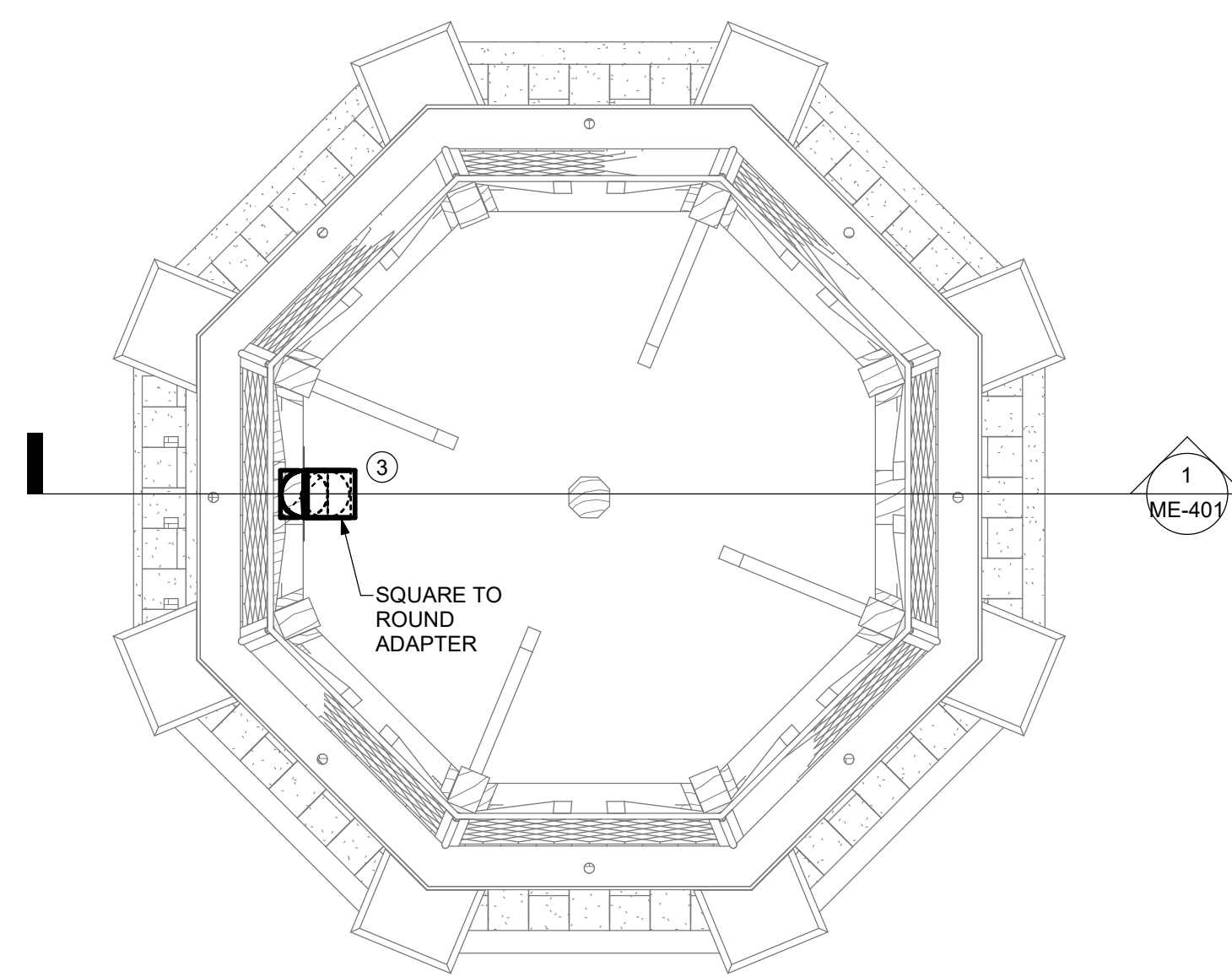
CD-1: ADD the following drawings Add Alternate #2 "Provide New Mechanical Ventilation System within the Spire":

- A. ME-401 "Enlarged Plans – HVAC & Electrical", Attached.
- B. ME-501 "Schedules – HVAC & Electrical", Attached.

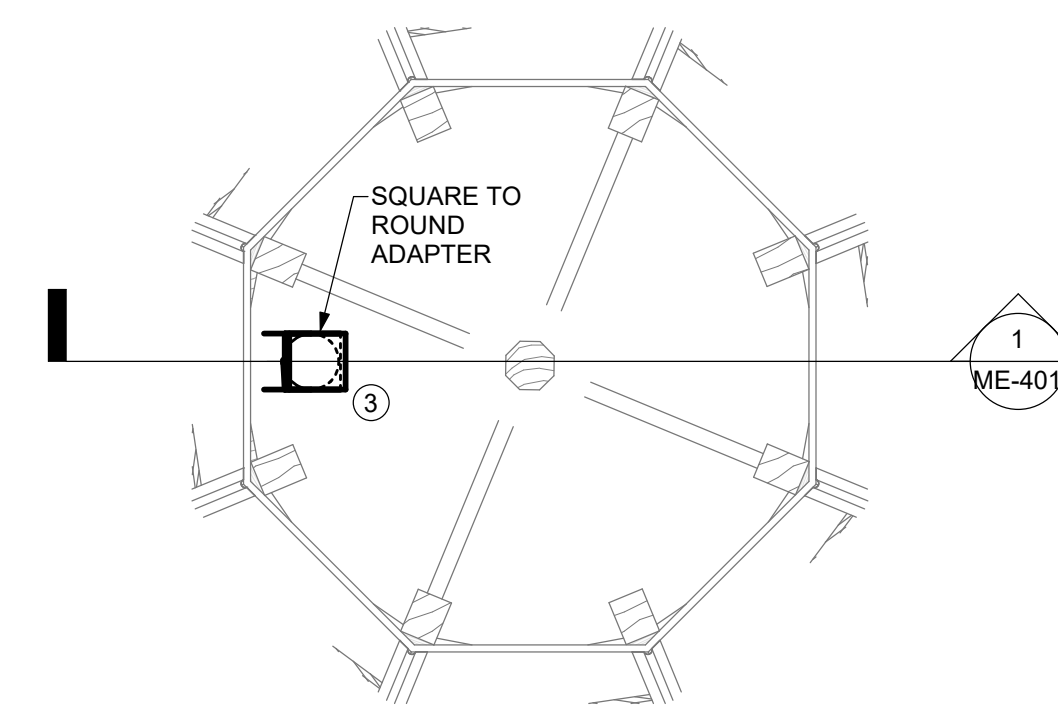
****END OF ADDENDUM****



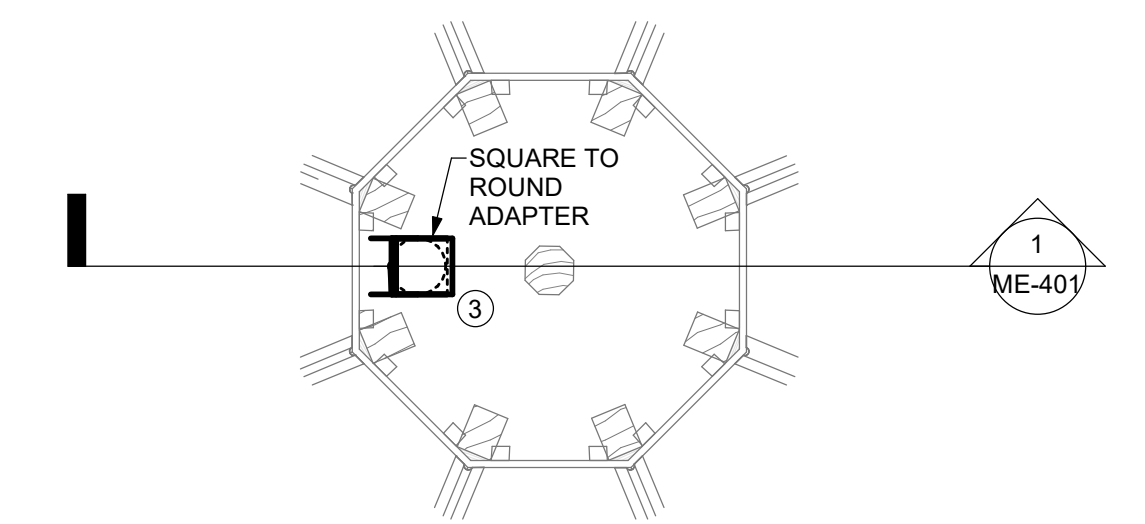
2 ENLARGED PLAN - BELFRY
1/4" = 1'-0" REF 1 / ME-401



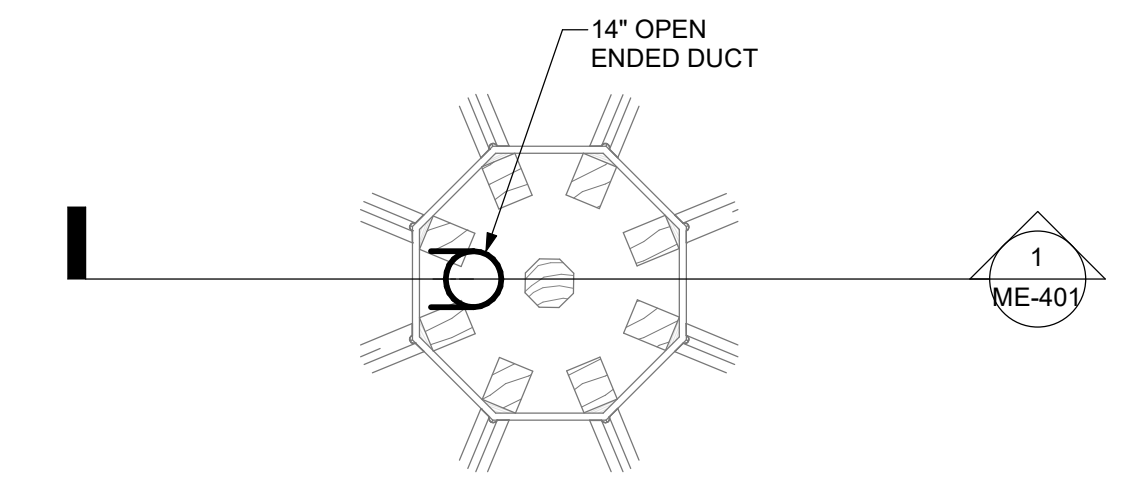
3 ENLARGED PLAN - SPIRE
1/4" = 1'-0" REF 1 / ME-401



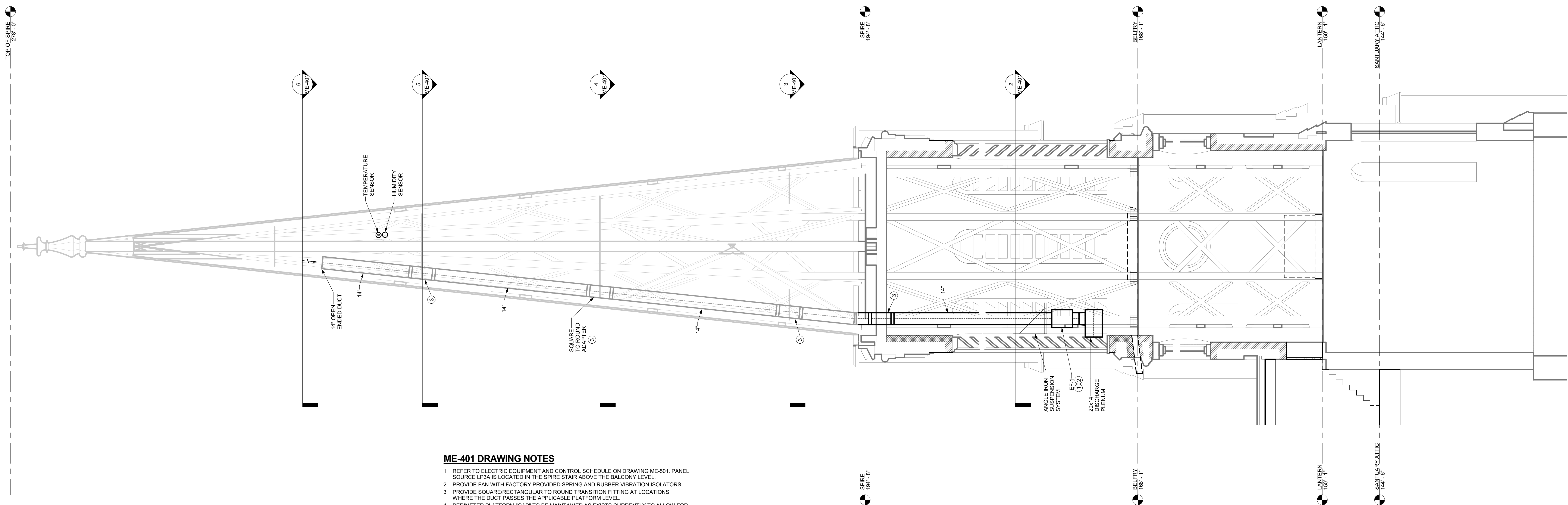
4 ENLARGED PLAN - PLATFORM 1
1/4" = 1'-0" REF 1 / ME-401



5 ENLARGED PLAN - PLATFORM 2
1/4" = 1'-0" REF 1 / ME-401



6 ENLARGED PLAN - PLATFORM 3
1/4" = 1'-0" REF 1 / ME-401



- ME-401 DRAWING NOTES**
- 1 REFER TO ELECTRIC EQUIPMENT AND CONTROL SCHEDULE ON DRAWING ME-501. PANEL SOURCE LP3A IS LOCATED IN THE SPIRE STAIR ABOVE THE BALCONY LEVEL.
 - 2 PROVIDE FAN WITH FACTORY PROVIDED SPRING AND RUBBER VIBRATION ISOLATORS.
 - 3 PROVIDE SQUARE/RECTANGULAR TO ROUND TRANSITION FITTING AT LOCATIONS WHERE THE DUCT PASSES THE APPLICABLE PLATFORM LEVEL.
 - 4 PERIMETER PLATFORM "GAP" TO BE MAINTAINED AS EXISTS CURRENTLY TO ALLOW FOR EXHAUST AIR TO PASS FROM SF-1 TO EF-1 INTAKE DUCT ABOVE PLATFORM 3.

1 WALL SECTION - SPIRE - HVAC & ELECTRICAL
1/4" = 1'-0" REF 2 / ME-401

DRAWING SUBMISSION STATUS: [] NOT FOR CONSTRUCTION [] SCHEMATIC DESIGN [] DESIGN DEVELOPMENT [X] CONSTRUCTION DOCUMENTS [X] ISSUED FOR CONSTRUCTION

ARCHITECT OF RECORD

HHL Architects
172 Allen Street, Buffalo, New York 14201
716.885.0743 F: 716.885.6414
HHLArchitects.com

ROOFING: REPAIR AND REROOFING
Westminster Presbyterian Church
724 DELAWARE AVE
BUFFALO, NY, 14209

PROJECT NUMBER: 1845

DRAWING TITLE
ENLARGED PLANS - HVAC & ELECTRICAL

ADD ALTERNATE #2
REVISIONS AFTER ISSUANCE
NO. DATE DESCRIPTION

SEAL

ISSUE DATE: 4/15/2019
DRAWING NUMBER
ME-401

ELECTRIC EQUIPMENT AND CONTROL SCHEDULE

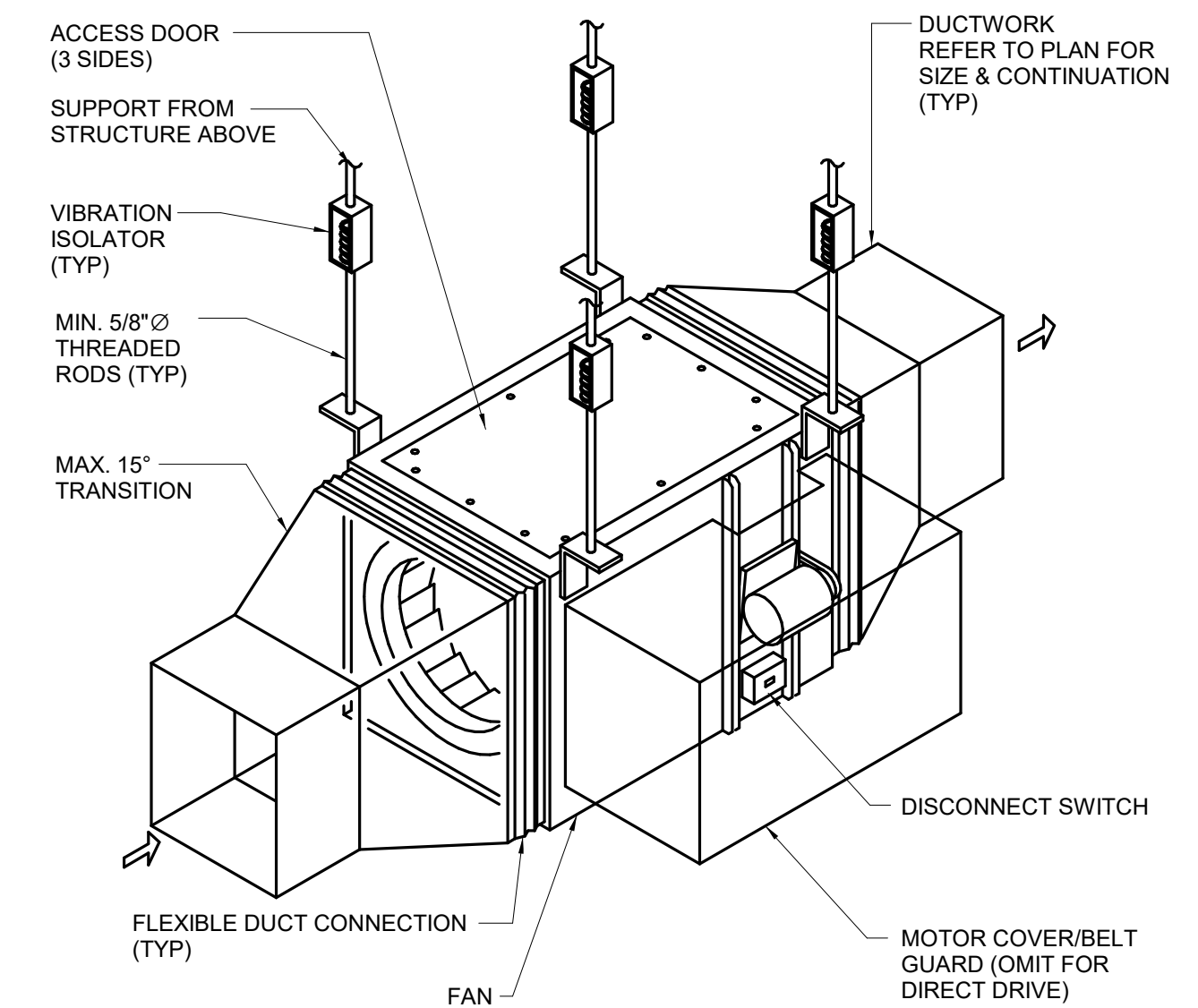
GENERAL NOTES:
A. ALL DEVICES PROVIDED BY THE DIVISION 16 CONTRACTOR.
B. ITEM NUMBER INDICATES EQUIPMENT NUMBER.
C. ALL DEVICES SHALL BE SURFACE MOUNTED UNLESS OTHERWISE NOTED.
D. PROVIDE OVERLOADS, SIZE AS REQUIRED, BY THE DIVISION 15 CONTRACTOR.
E. "AU" INDICATES CONTROL DEVICES IS LOCATED AT THE UNIT.
F. "NF" INDICATES NON-FUSED.
G. "IU" INDICATES INTEGRAL WITH UNIT.

EQUIPMENT										POWER SOURCE, PROTECTION & WIRING									CONTROL DEVICES AS SHOWN ON THE PLANS BY ITEM DESIGNATION																											
ITEM ID	NAME	ROOM LOCATION	HP	KW	PHASE	SYSTEM VOLTS	MCA or SYSTEM AMPS	PANEL or CONTROL CENTER	CIRCUIT BREAKER or "FU" FOR FUSE	POWER WIRING FROM PANEL TO CONTROL UNIT			POWER WIRING FROM CONTROL UNIT TO EQUIPMENT			NEMA SIZE STARTER	NEMA TYPE	MANUAL MOTOR STARTER	MAGNETIC STARTER	COMBINATION MAGNETIC STARTER	COMBINATION REDUCED VOLTAGE STARTER	COMBINATION WATER TIGHT FUSE (T) SIZE	ADJUSTABLE SPEED DRIVE	ADJUSTABLE SPEED DRIVE WITH BYPASS	ADJUSTABLE SPEED DRIVE WITH REDUNDANT ASD	PACKAGED CONTROL UNIT FURNISHED BY OTHERS	DUPLIX PUMP CONTROLLER BY OTHERS	FIRE ALARM FAN SHUTDOWN REQUIRED	SUPERVISOR MOTOR DETECTOR W/ REMOTE TEST STATION	RETURN DUCT SMOKE DETECTOR W/ REMOTE TEST STATION	EXHAUST DUCT SMOKE DETECTOR W/ REMOTE TEST STATION	THERMOSTAT CONNECTION	ADJUSTABLE CONNECTION	MOTORIZED DAMPER CONNECTION	START/STOP PUSHBUTTONS	HAND/OFF/AUTO SELECTOR SWITCH	CONTROL DEVICE LOCATION	SAFETY SWITCH					ITEM ID			
										PHASE	GROUND	CONDUIT	PHASE	GROUND	CONDUIT																							SWITCH AMPS	FUSE SIZE	LOC.	WEATHER PROOF	REF NOTES				
EF-1	EXHAUST FAN #1	SPIRE	1/2		1	120	9.8	(EX-LP3A)	25/1	2#12	1#12	1/2" C	2#12	1#12	1/2" C			X									X						X				AU									EF-1

FAN SCHEDULE

UNIT NO.	LOCATION	SERVICE	FAN CHARACTERISTICS															MOTOR CHARACTERISTICS					MANUFACTURER & MODEL No.	REMARKS
			TYPE	BLADE TYPE	CFM	S.P. (In. WC)	MAX. BHP	FAN RPM	MAX. OUTLET VELOCITY (FPM)	SONES	DRIVE	HP	VOLTS	HZ	PHASE									
EF-1	BELFRY	EXHAUST	INLINE	BI	1200	0.625	0.46	1400	685	11	DD	1/2	120	60	1	GREENHECK SQ 120 VG4/B	1 - 6							

- REMARKS:
1. VARIGREEN ECM MOTOR
2. TRANSFORMER 24V
3. CONSTANT PRESSURE CONTROL
4. AIR QUALITY TEMPERATURE AND HUMIDITY CONTROLLER (SET @ 90 DEG. F & 55% RH ADJUSTABLE)
5. DIRECT DRIVE MOTOR COVER
6. MOTORIZED BACK DRAFT DAMPER



- DETAIL NOTES:
A. VIBRATION ISOLATORS SHALL BE PROVIDED AS SPECIFIED AND IN ACCORDANCE WITH THE FAN MANUFACTURER'S RECOMMENDATIONS.
B. FOLLOW MANUFACTURER'S INSTALLATION INSTRUCTIONS EXPLICITLY.
C. ORIENT UNIT SUCH THAT ACCESS TO MOTOR IS NOT OBSTRUCTED.
D. DETAIL ABOVE DEPICTS SQUARE TYPE IN-LINE EXHAUST FAN. TUBULAR TYPE IS SIMILAR.

1 INLINE FAN DETAIL
NOT TO SCALE

DRAWING SUBMISSION STATUS: [] NOT FOR CONSTRUCTION [] SCHEMATIC DESIGN [] DESIGN DEVELOPMENT [X] CONSTRUCTION DOCUMENTS [X] ISSUED FOR CONSTRUCTION

<p>ARCHITECT OF RECORD</p> <p>HHL Architects 172 Allen Street, Buffalo, New York 14201 716.885.0743 F: 716.885.6414 HHLArchitects.com</p>	<p>ROOFING: REPAIR AND REROOFING</p> <p>Westminster Presbyterian Church 724 DELAWARE AVE BUFFALO, NY, 14209</p> <p>PROJECT NUMBER: 1845</p>	<p>DRAWING TITLE</p> <p>SCHEDULES - HVAC & ELECTRICAL</p> <p>ADD ALTERNATE #2</p> <p>REVISIONS AFTER ISSUANCE</p> <table border="1"> <thead> <tr> <th>NO.</th> <th>DATE</th> <th>DESCRIPTION</th> </tr> </thead> <tbody> </tbody> </table>	NO.	DATE	DESCRIPTION	<p>SEAL</p> <p>ISSUE DATE: 4/15/2019</p> <p>DRAWING NUMBER</p> <p>ME-501</p>
NO.	DATE	DESCRIPTION				