

All Rights Reserved. Reuse of these documents without the expressed written permission of Carmina Wood Morris, DPC is prohibited. WARNING: It is a violation of article 145 of the New York State Education Law (NYSEL) to reproduce or use in any manner the content of this drawing, in whole or in part, for any purpose other than that for which it was originally prepared. The date the revision was made, the name of the revision, the name of the drafter, and a specific description of the alteration.

© Carmina Wood Morris DPC

2/11/2019 9:27:49 AM



PROFESSIONAL SEAL

REVISIONS:

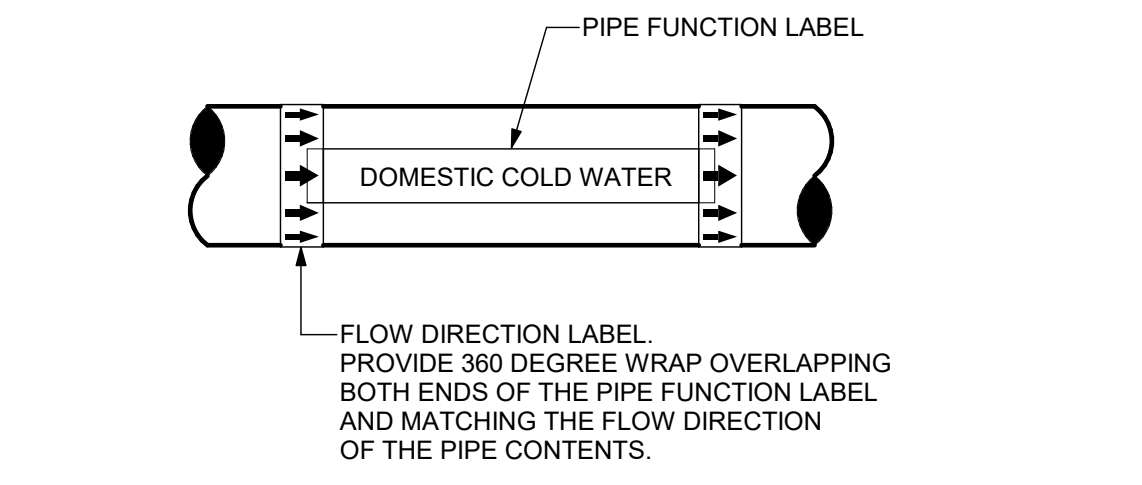
No.	Description	Date
1	Addendum 1	02/08/19

PROJECT NAME:  
**New Construction: The West End**  
240-260 Lakefront Blvd  
Buffalo Ny, 14202

Issued for Permit: 01.23.2019  
Drawn By: DMS2  
Checked By: RKS

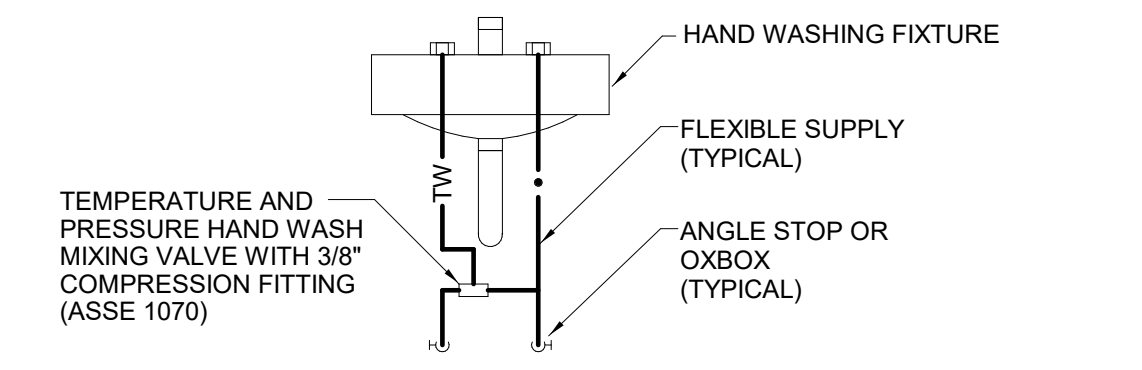
DRAWING NAME:  
**Details - Plumbing**

DRAWING NO.  
**P-501**  
Project No: 18.122



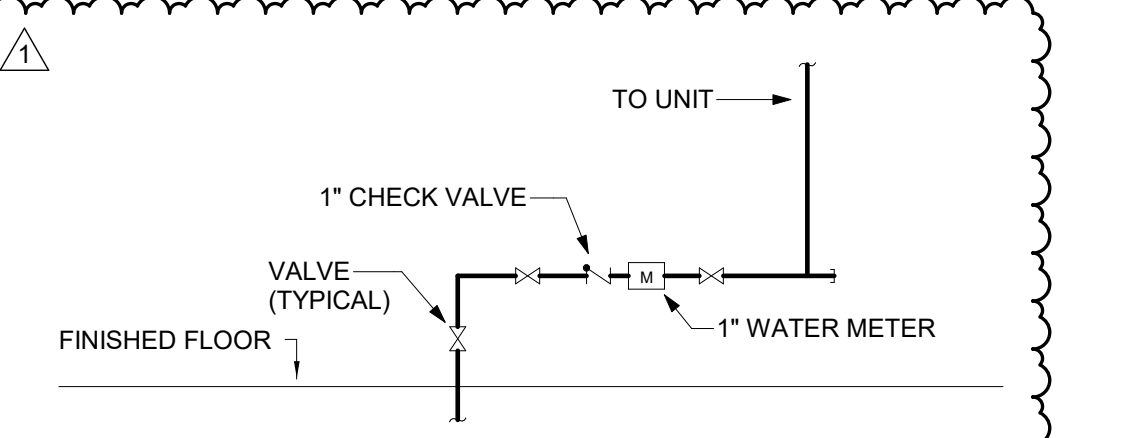
- DETAIL NOTES:
- PROVIDE A PIPE LABEL FOR EACH PIPE FUNCTION.
  - PROVIDE AT LEAST ONE LABEL ON EACH PIPE FOR EVERY ROOM THE PIPE PASSES THROUGH.
  - PROVIDE LABELS IN LARGE SPACES ON MAXIMUM 20'-0" CENTERS FOR EVERY PIPE UNLESS OTHERWISE NOTED IN THE SPECIFICATIONS.
  - LABELS TO BE LOCATED IN AN EASILY VISIBLE LOCATION AS THEY WOULD NORMALLY BE SEEN. IE. ON THE BOTTOM HALF OF PIPES IN THE AIR AND ON THE TOP HALF OR SIDES OF PIPES MOUNTED LOW.
  - LABELS SHALL BE, COLOR CODED, PRE-PRINTED, SELF ADHESIVE VINYL.
  - SEE SPECIFICATION FOR OTHER REQUIREMENTS AND LIST OF PIPE FUNCTIONS.

**2** PIPE LABEL DETAIL  
P-501 NOT TO SCALE

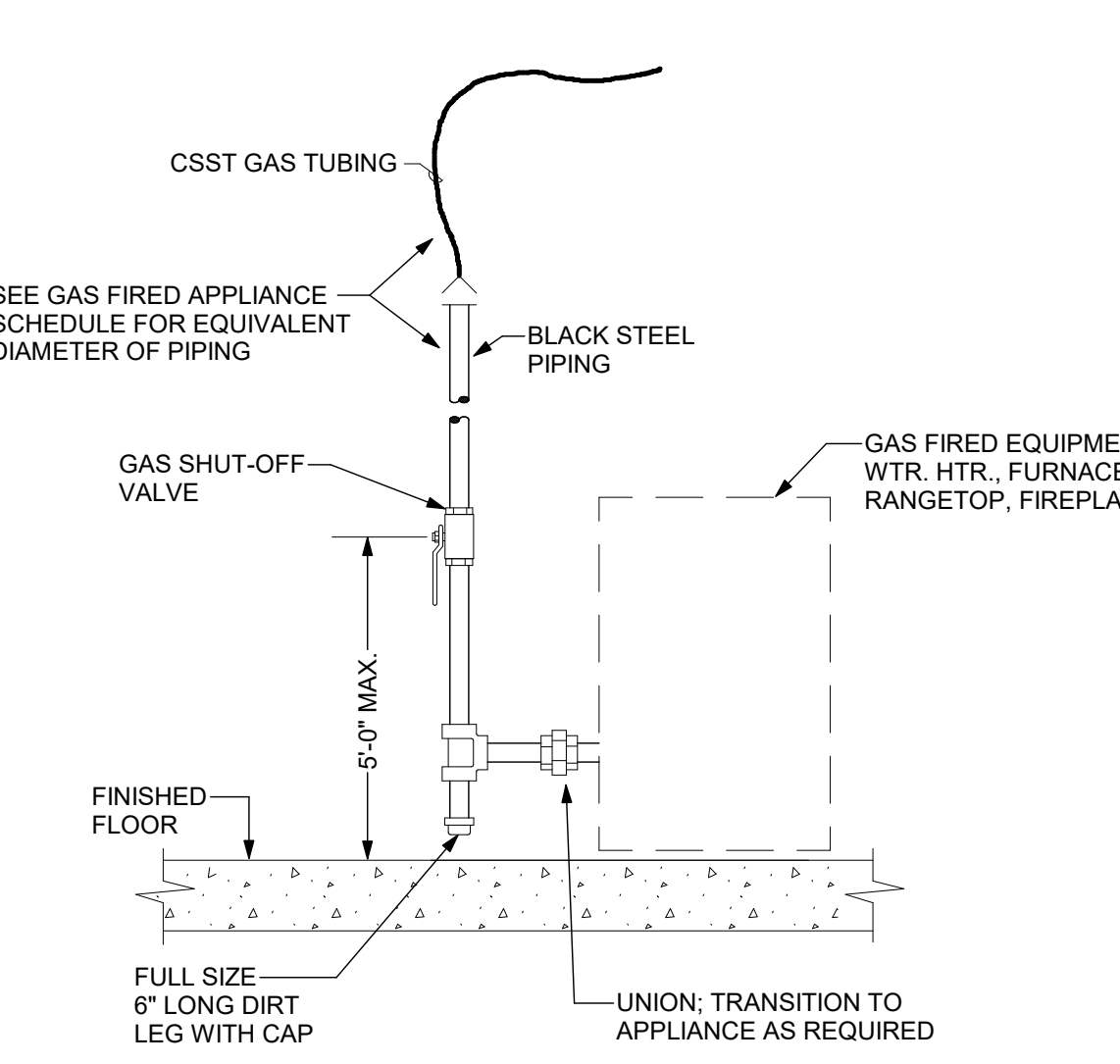


- DETAIL NOTES:
- PROVIDE A MIXING VALVE FOR EACH LAVATORY AND SINK.
  - MIXING VALVE SHALL BE ADJUSTED TO DELIVER TEMPERED WATER AT 105°F.

**3** LAVATORY SUPPLY DETAIL  
P-501 NOT TO SCALE

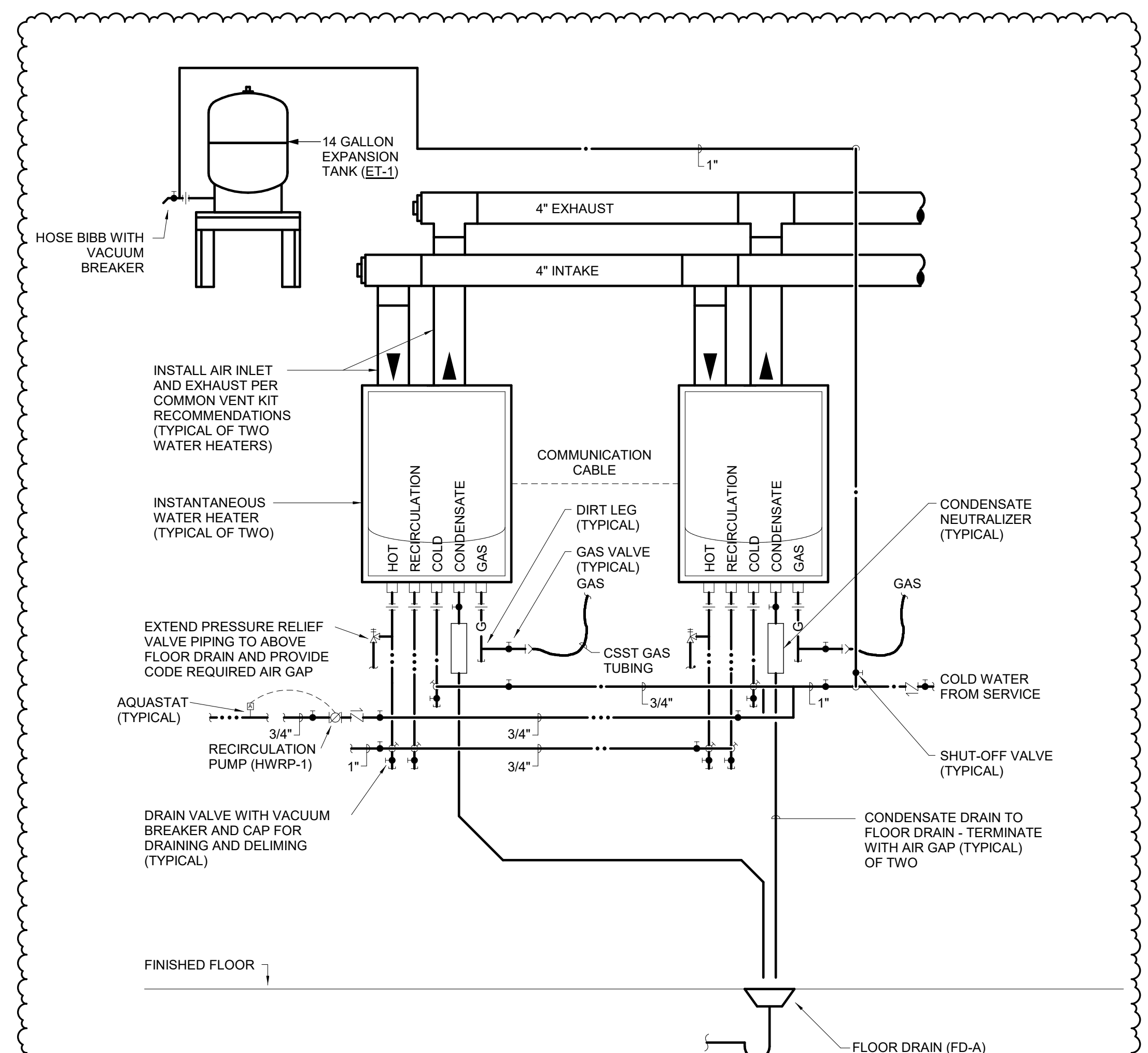


**4** WATER SERVICE ENTRANCE DETAIL  
P-501 NOT TO SCALE



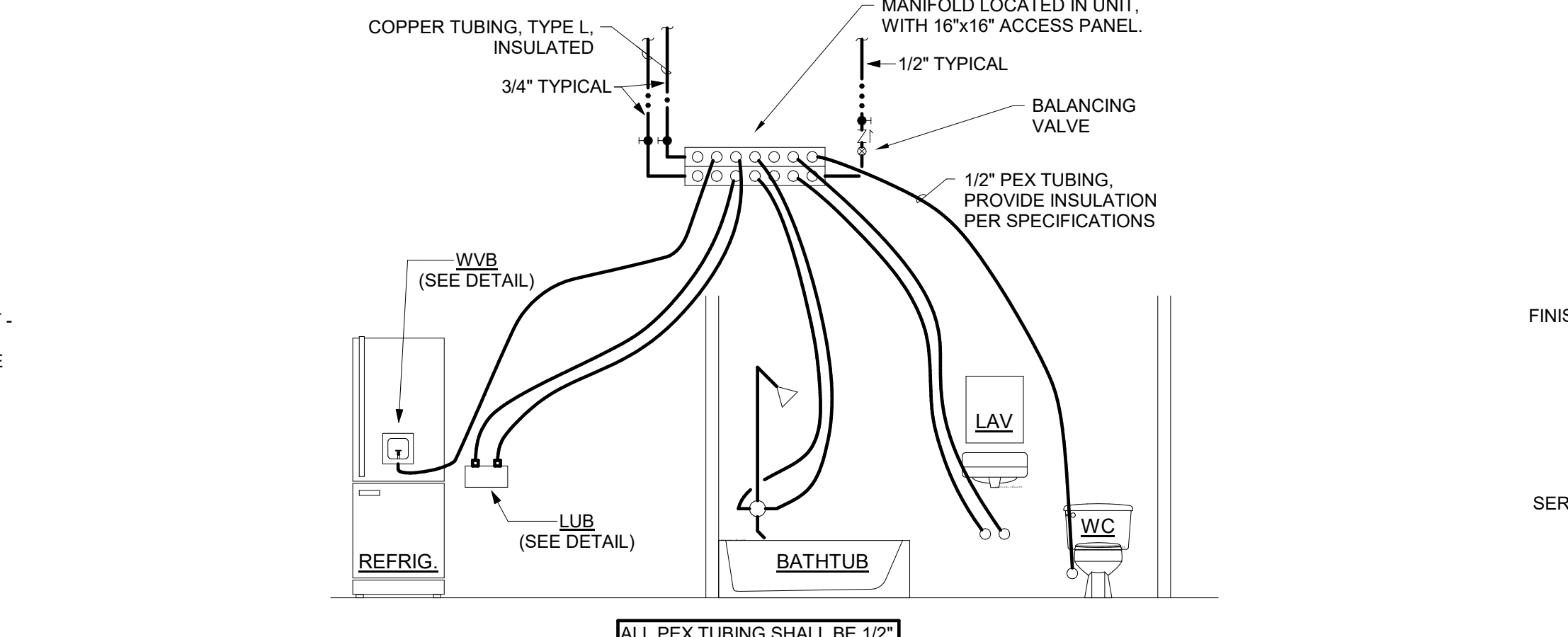
- DETAIL NOTES:
- PROVIDE SHUT-OFF VALVE, DIRT LEG AND UNION AT EACH GAS CONNECTION ON EACH PIECE OF EQUIPMENT.
  - VERIFY CONNECTION SIZES, QUANTITIES AND LOCATIONS WITH M.C.
  - DIVISION 22 IS RESPONSIBLE FOR FINAL CONNECTION.

**5** GAS EQUIPMENT CONNECTION DETAIL  
P-501 NOT TO SCALE



- DETAIL NOTES:
- SECURE HEATER TO WALL WITH BOTTOM OF HEATER 2'-6" ABOVE FINISHED FLOOR. INSTALLATION TO COMPLY WITH MANUFACTURER'S INSTALLATION REQUIREMENTS.
  - PROVIDE PROPER SUPPORTS FOR EXPANSION TANK AND ASSOCIATED PIPING.
  - MOUNT PLATFORM TO WALL AS HIGH AS POSSIBLE ABOVE FINISHED FLOOR. HOLDRITE QUICK STAND #30-SWHP-WM WALL MOUNTED EQUIPMENT PLATFORM OR APPROVED EQUAL.
  - EXPANSION TANK SHALL BE WATTS PLT-35 ASME RATED TANK.
  - VACUUM RELIEF VALVE SHALL BE WATTS MODEL N36, 1/2" SIZE.

**1** DUPLIX INSTANTANEOUS WATER HEATER DETAIL  
P-501 NOT TO SCALE



- DETAIL NOTE:
- PEX PIPING SHALL BE INSTALLED ONLY IN INDIVIDUAL DWELLINGS
  - A CENTRAL MANIFOLD SHALL BE INSTALLED INSIDE EACH DWELLING UNIT. SHUT-OFF VALVES SHALL BE INSTALLED ON THE MANIFOLD INLET PIPING. MANIFOLD SHALL BE COPPER OR BRASS AND HAVE INDIVIDUAL BRASS SHUT-OFF VALVES ON EACH LINE
  - LABEL EACH MANIFOLD SHUT-OFF VALVE TO INDICATE FIXTURE SERVED
  - ALL FIXTURES SHALL BE PIPED DIRECTLY FROM MANIFOLD AND NO CONNECTORS OR UNIONS SHALL BE INSTALLED BETWEEN THE MANIFOLD AND THE FIXTURE STUB-OUT. STUB-OUTS SHALL BE COPPER.
  - CONNECTORS SHALL BE BRASS WITH A COPPER, BRASS OR S.S. CRIMP RING, SLIP FIT, PUSH FIT AND ADJUSTABLE STRAP CLAMP TYPES ARE NOT ACCEPTABLE.
  - SYSTEM SHALL BE PRESSURE TESTED TO 100 PSI FOR A MINIMUM OF 4 HOURS

**6** PEX MANIFOLD CONNECTION DETAIL  
P-501 NOT TO SCALE

PLUMBING SYMBOL LIST	
SYMBOL	DESCRIPTION
---	NEW PIPING LOCATED ABOVE FLOOR/SLAB
---	NEW PIPING LOCATED BELOW FLOOR/SLAB
---	COLD WATER PIPING (CW)
---	HOT WATER PIPING (HW)
---	HOT WATER RECIRCULATING PIPING (HWR)
---	TEMPERED HOT WATER PIPING (TW)
---	WATER SERVICE - EXTERIOR
---	SANITARY SEWER PIPING
---	VENT PIPING
---	NATURAL GAS PIPING (G)
---	ELBOW DOWN
---	ELBOW UP
---	BOTTOM/TEE CONNECTION
---	TOP TEE CONNECTION
---	*P TRAP
---	PIPE CONTINUATION
---	CAP OR PLUG

PLUMBING SYMBOL LIST	
SYMBOL	DESCRIPTION
---	DECK PLATE CLEANOUT (DPCO)
---	WALL PLATE CLEANOUT (WPCO)
---	CLEANOUT (CO)
---	FLOOR DRAIN (FD) / FLOOR SINK (FS)
---	WALL HYDRANT (WH) / HOSE BIBB (HB)
---	STRAINER
---	WATER METER
---	SHUT OFF VALVE
---	BALANCING VALVE
---	CHECK VALVE
---	RELIEF VALVE
---	UNION
---	RECIRCULATION PUMP
---	THERMOMETER
---	PRESSURE GAUGE
---	CSST
---	CORRUGATED STAINLESS STEEL TUBING

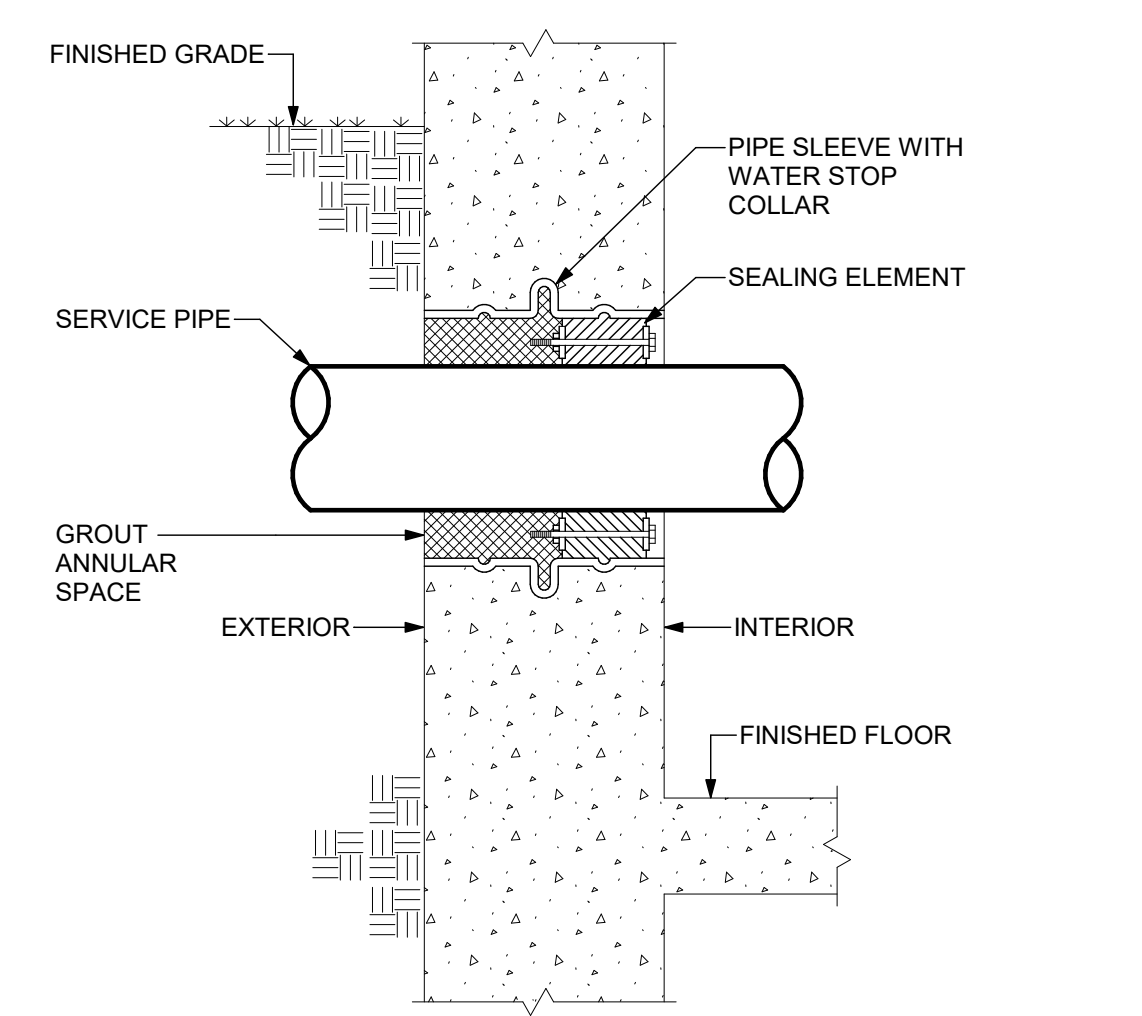
GAS-FIRED APPLIANCE SCHEDULE					
ITEM NO.	QUANTITY	DESCRIPTION	BTUH INPUT	SIZE	REMARKS
1	1	CLOTHES DRYER	20,000	3/4"	
2	1	FIREPLACE	46,000	3/4"	
3	1	OVEN	142,000	1-1/4"	
4	1	FURNACE	100,000	1-1/4"	REFER TO DIVISION 23
5	1	RANGETOP	18,000	3/4"	
6	2	WATER HEATER	199,999	3/4"	SEE WATER HEATER SCHEDULE

SHOCK ABSORBER SCHEDULE			
NO.	FIXTURE UNIT RATING	SIZE IN INCHES	PDI SYMBOL
SA-A	1 - 11	1/2"	A
SA-B	12 - 32	3/4"	B
SA-C	33 - 60	1"	C
SA-D	61 - 113	1 1/4"	D
SA-E	114 - 154	1 1/2"	E
SA-F	155 - 330	2"	F

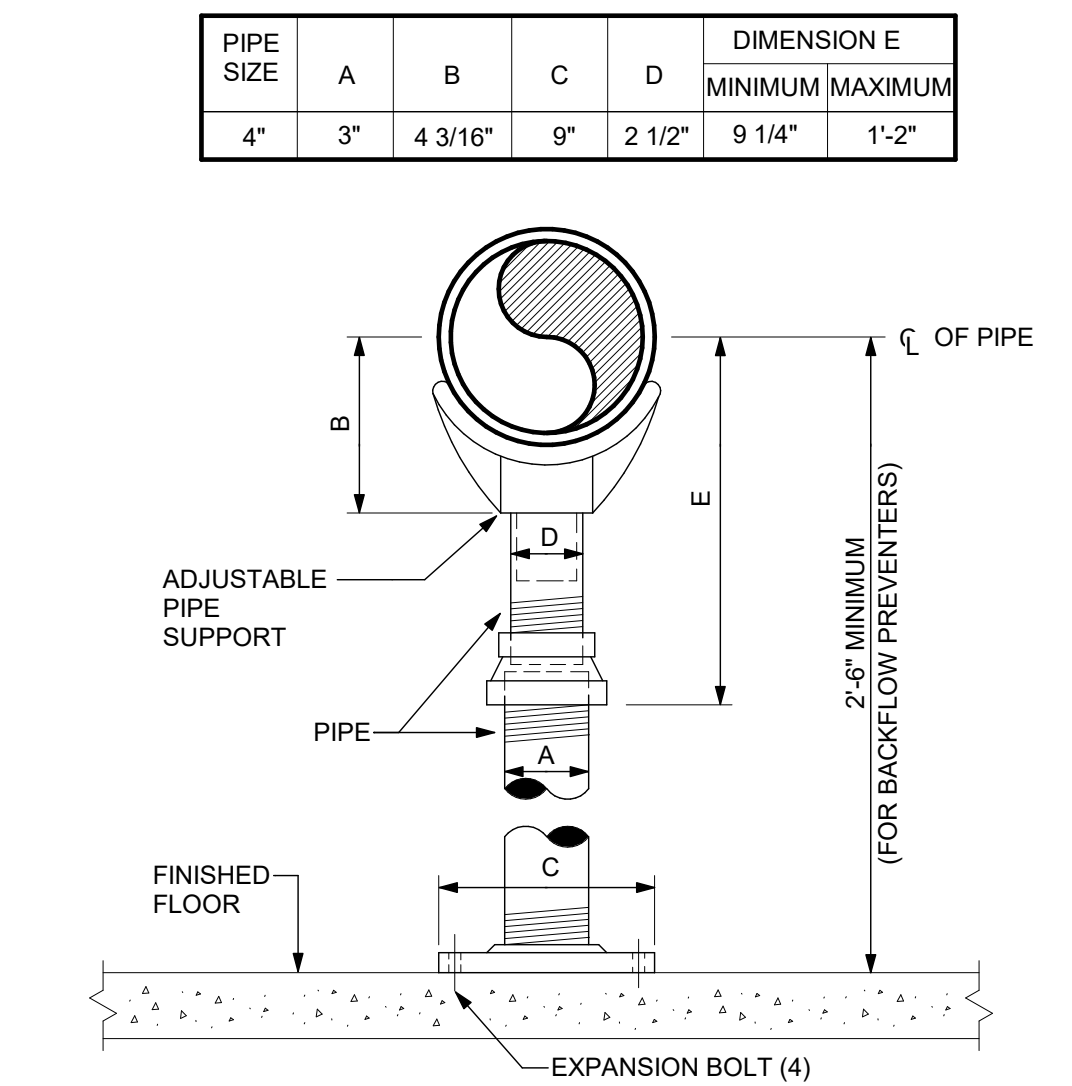
FIXTURE AND EQUIPMENT CONNECTION SCHEDULE						
DESIGNATION	DESCRIPTION	COLD WATER	HOT WATER	WASTE OR SANITARY	VENT	REMARKS
WC	WATER CLOSET	1/2"	-	4"	-	FLUSH TANK
LAV	LAVATORY	1/2"	1/2"	1 1/2"	1 1/2"	SEE DETAIL 3/P-104
FD	FLOOR DRAIN	1/2"	-	4"	2"	TRAP PRIMER
SH	SHOWER	1/2"	1/2"	3"	1 1/2"	
SK	SINK	1/2"	1/2"	1 1/2"	1 1/2"	
BT	BATHTUB	1/2"	1/2"	3"	1 1/2"	INCLUDE FOOD DISPOSER
WH	HOSE BIBB	3/4"	-	-	-	
DN	DOWNSPOUT	-	-	-	-	3" STORM CONNECTION
RD	ROOF DRAIN	-	-	-	-	3/4" STORM CONNECTION
AAV	AIR ADMITTANCE VALVE	-	-	1 1/2"	-	
ET-1	EXPANSION TANK	1"	-	-	-	WATTS PLT-35

PUMP SCHEDULE									
NO.	LOCATION	SERVICE	GPM	HEAD FT WATER	MOTOR HP	VOLTAGE	PHASE	RPM	DESIGN MAKE
HWRP-1	MECHANICAL	HW RECIRCULATION	3.0	40	2/5	115	1	3250	BELL & GOSSETT PL-55 - 1BL068LF

WATER HEATER SCHEDULE									
NO.	SERVICE	TYPE	BTUH INPUT	FLOW RATE (GPM)	TEMP RISE DEG F	FUEL TYPE	INTAKE/EXHAUST	ELECTRIC	DESIGN MAKE
WH-1	HW	INSTANTANEOUS	199,999	4.4	90	GAS	4" x 4"	120/1/60	NAVIEN - 240A WITH COMMON VENT KIT



**7** PIPE THRU NEW EXTERIOR WALL DETAIL  
P-501 NOT TO SCALE



**8** ADJUSTABLE PIPE DETAIL  
P-501 NOT TO SCALE