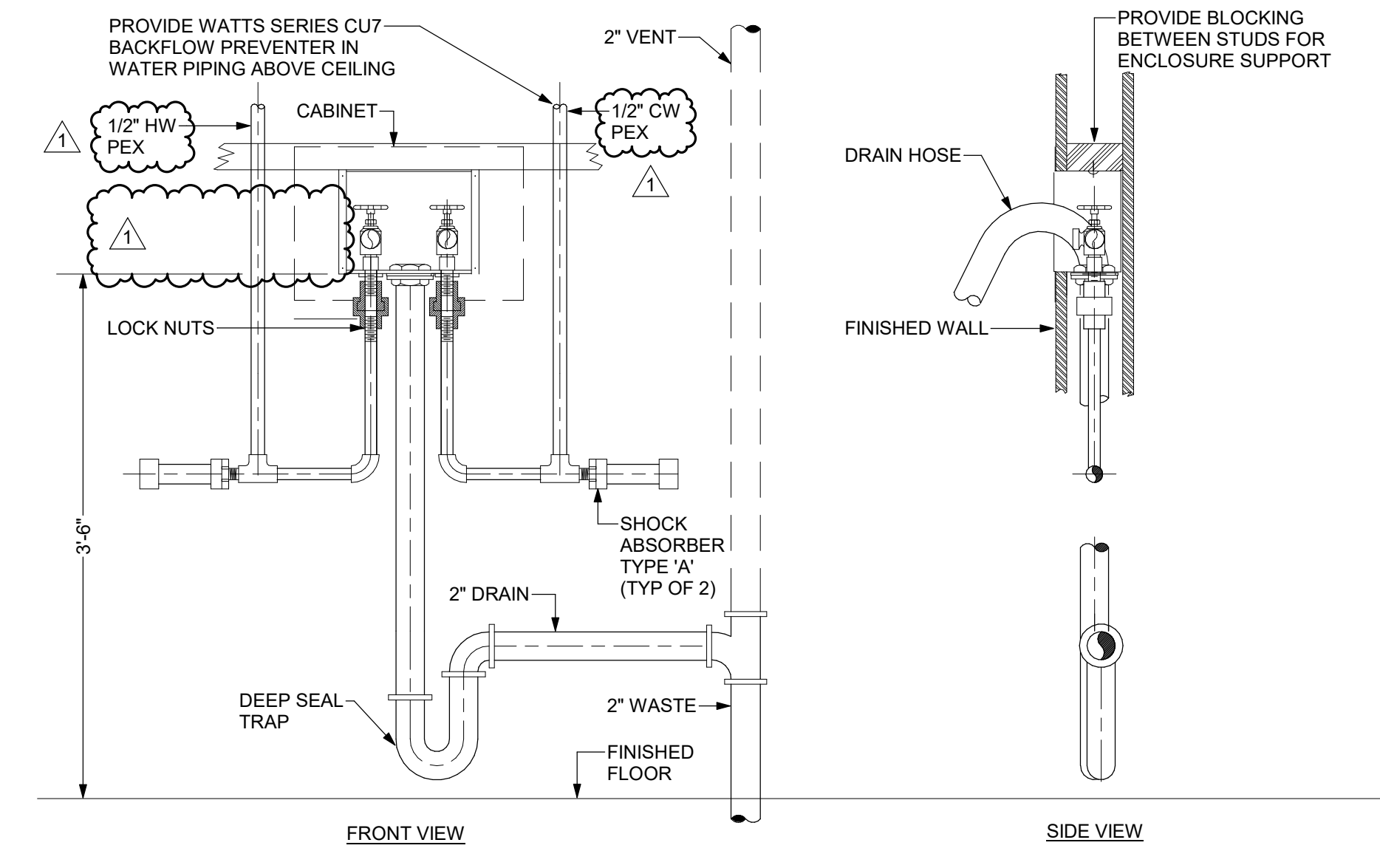
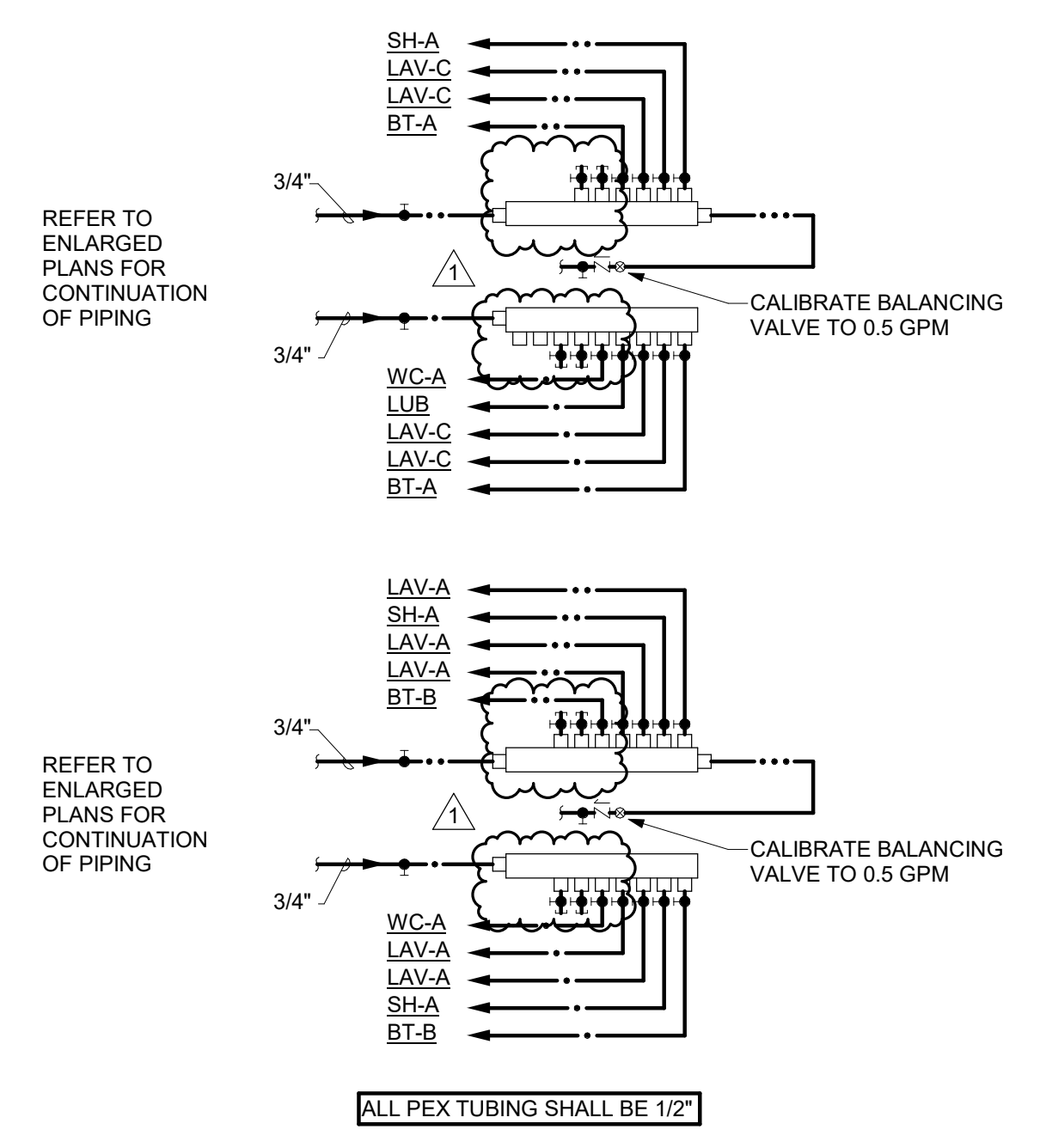


All Rights Reserved. Reuse of these documents without the expressed written permission of Carmina Wood Morris, DPC is prohibited. WARNING: It is a violation of article 145 of the New York State Education Law and of article 1707 of the New York State Labor Law to alter this drawing. If altered, the date, initials of the person making the alteration, and a specific description of the alteration, shall be noted on this drawing. If altered, the date, initials, signature, the date the notation was made, and a specific description of the alteration, shall be noted on this drawing.

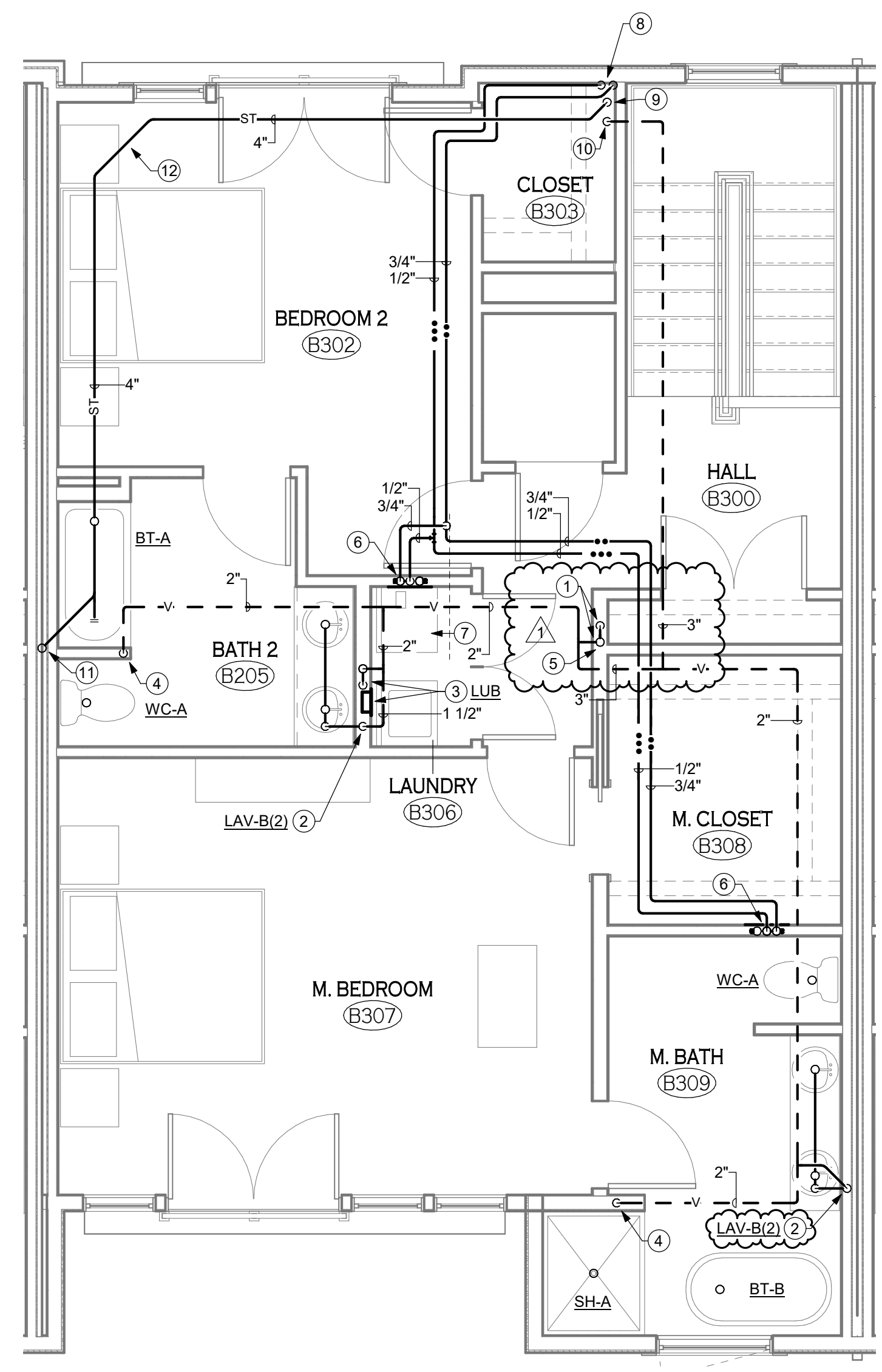
© Carmina Wood Morris DPC



2 LAUNDRY UTILITY BOX DETAIL
P-102 1/8" = 1'-0"



3 THIRD FLOOR PEX MANIFOLD SCHEMATIC
P-102 1/8" = 1'-0"



1 4 UNIT - LEVEL 3 - PLUMBING
P-102 1/4" = 1'-0"

SOME UNITS ARE OPPOSITE HAND

P-102 DRAWING NOTES

- 1 CONNECT VENT STACK TO SANITARY STACK AT 4' 0" ABOVE FINISHED FLOOR AND EXTEND 4' VENT UP.
- 2 1 1/2" SANITARY PIPING DOWN; 1 1/2" VENT UP SERVING TWO LAVATORIES.
- 3 2" SANITARY P-TRAP FROM LAUNDRY UTILITY BOX DOWN; 2" VENT UP. SEE DETAIL 2 ON THIS SHEET.
- 4 1 1/2" VENT FROM BELOW.
- 5 4" STACK VENT UP THROUGH ROOF.
- 6 3/4" CW, 3/4" HW DOWN TO AND 1/2" HWR UP FROM PEX MANIFOLD IN WALL SERVING BATHROOM FIXTURES. PROVIDE 18"x18" ACCESS PANEL. SEE DETAIL 6/P-501 AND DETAIL 3 ON THIS SHEET.
- 7 PROVIDE 1/2" GAS CONNECTION TO CLOTHES DRYER (20 CFH). SEE DETAIL 5/P-501.
- 8 3/4" HW AND 3/4" HWR RISERS.
- 9 4" PRIMARY STORM CONDUIT FROM ABOVE. REFER TO ARCHITECT FOR ROOF DRAIN.
- 10 3" VENT STACK UP.
- 11 4" PRIMARY STORM FROM ROOF DRAIN ABOVE. REFER TO ARCHITECT FOR ROOF DRAIN.
- 12 PROVIDE TWO(2) 1/8" BENDS AND 2' 0" LENGTH OF PIPING.

PLUMBING GENERAL NOTES

- A. REFER TO DRAWING P-701 FOR PLUMBING RISER DIAGRAMS AND PIPING INSTALLATION SCHEMATICS.
- B. REFER TO DRAWING P-103 FOR STORM CONDUIT/PIPING DIAGRAMS AND PIPING INSTALLATION SCHEMATICS.



PROFESSIONAL SEAL

REVISIONS:	No.	Description	Date
	1	Addendum 1	02/08/19

PROJECT NAME:

New Construction:
The West End
240-260 Lakefront Blvd
Buffalo Ny, 14202

Issued for Permit: 01.23.2019
Drawn By: DMS2
Checked By: RKS

DRAWING NAME:
Third Floor Plan - Plumbing

DRAWING NO.
P-102
Project No: 18.122